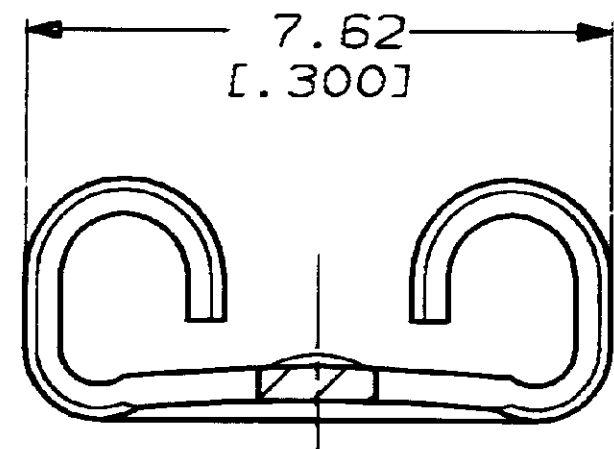
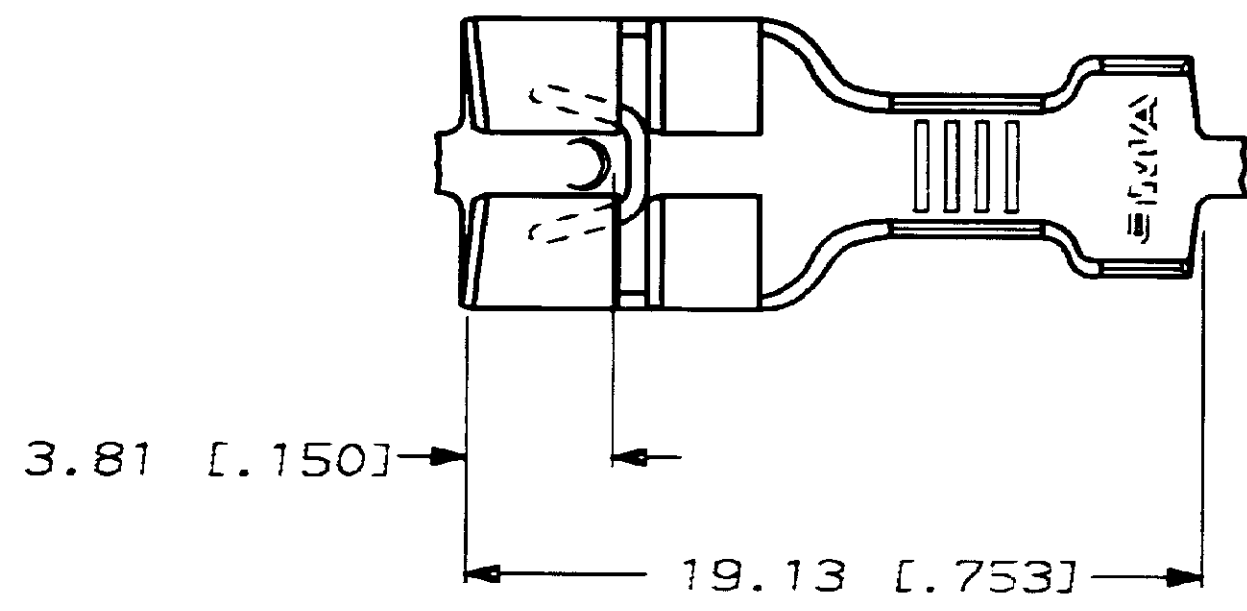


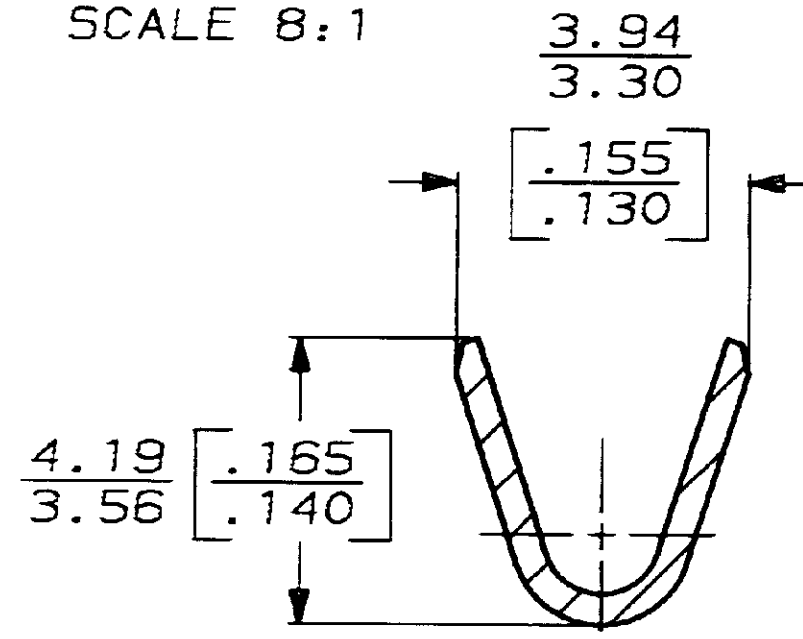
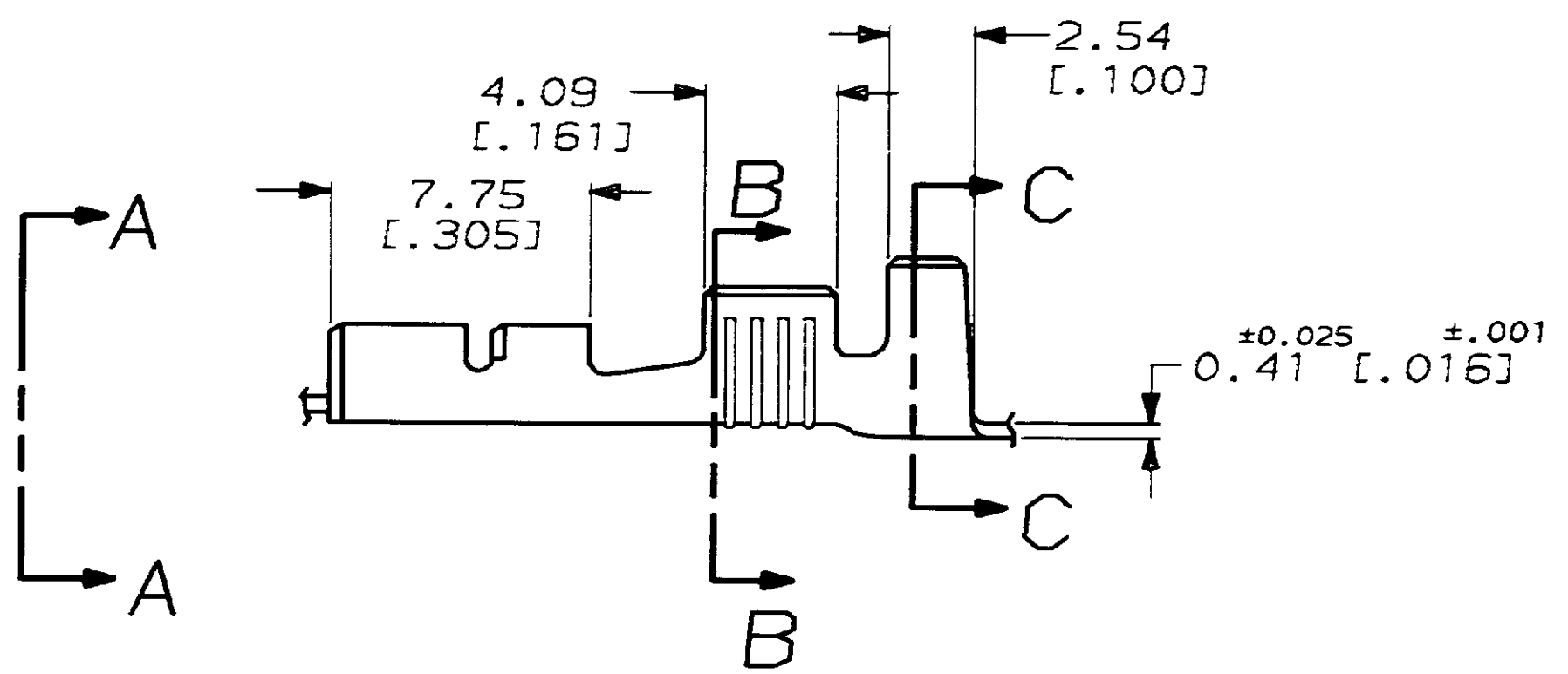
THIS DRAWING IS UNPUBLISHED. RELEASED FOR PUBLICATION .19
 © COPYRIGHT 19 BY AMP INCORPORATED. ALL INTERNATIONAL RIGHTS RESERVED.

LOC		DIST		P		F		ZONE		LTR		REVISIONS		DATE	APPD
AF		50								A		REL PER 0197-93		6/11/93	-

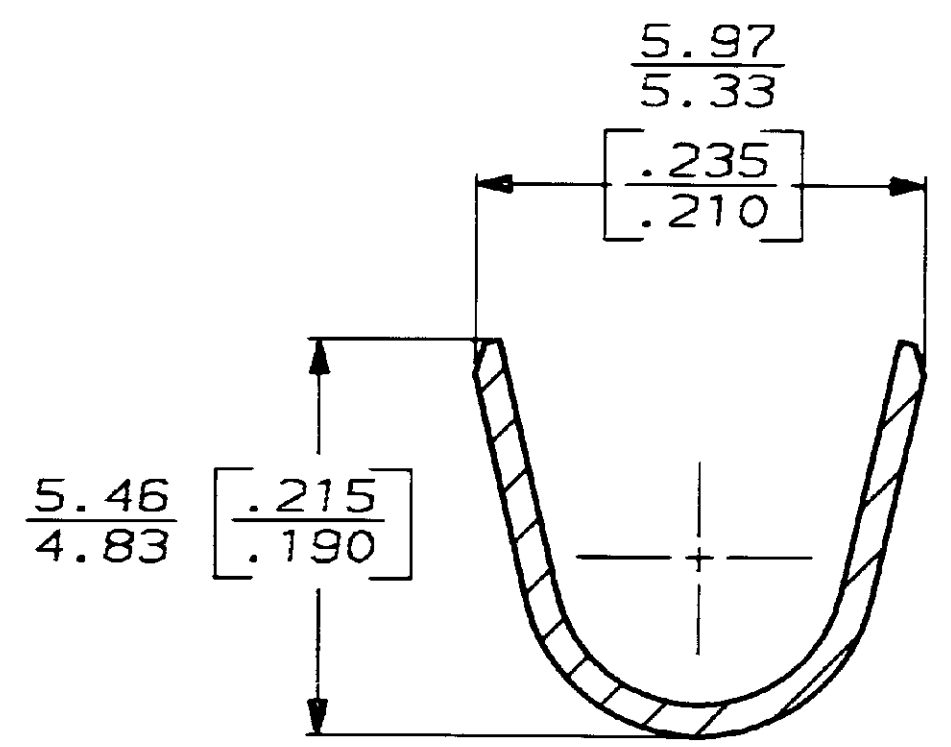
1 CONTINUOUS STRIP ON REELS.



VIEW A-A
SCALE 8:1



SECTION B-B
SCALE 8:1



SECTION C-C
SCALE 8:1

3.05-4.32 DIA [.120-.170] DIA		0.8-2.0mm ² [18-14] AWG		0.81 [.032]		63674-1	
INSUL RANGE		WIRE SIZE		MATING TAB THK ±0.025 [.001]		PART NO.	
F	4.57 [.180]	5.59 [.220]	F	2.79 [.110]	1.47 [.058]	0.8mm ² [#18]	DO NOT SCALE PRINT. UNLESS SPECIFIED DIMENSIONS ARE IN METRIC TOLERANCES ON: 2 PLC DEC ± 0.25 [.010] 3 PLC DEC ± - ANGLES ± - MATERIAL TEMP 2 STEEL FINISH NICKEL 0.00381 [.000150] MIN
					1.62 [.064]	1.3mm ² [#16]	
					1.85 [.073]	2.0mm ² [#14]	
TYPE	WIDTH	STRIP LENGTH ±.015	TYPE	WIDTH	±0.051 [.002] HEIGHT	WIRE	DR 11/5/92 JR RUTH CHK 11/5/92 MS FEHER APPD 11/5/92 C MEYERS APPD 11/5/92 R REINER PRODUCT SPEC APPLICATION SPEC WEIGHT -
INSUL BARREL CRIMP			WIRE BARREL CRIMP				NAME RECEPTACLE, FASTON, LOW-INSERTION 6.35 [.250] SERIES
							SIZE B FSCM NO 00779 DRAWING NO 63674 SCALE 4:1 SHEET 1 OF 1