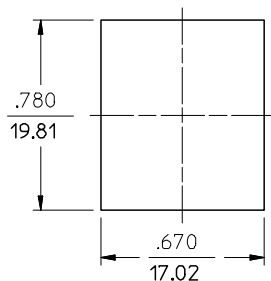
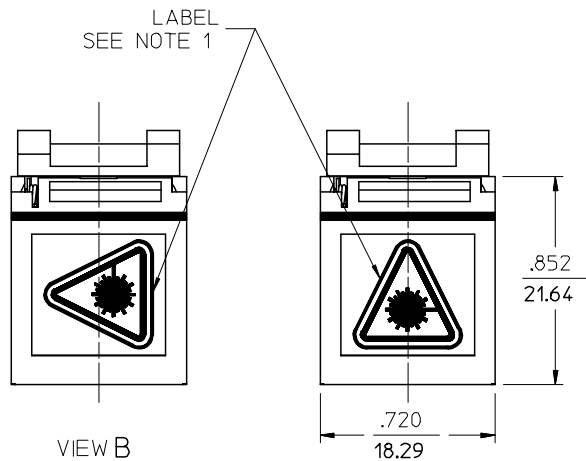
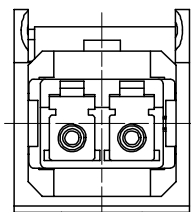


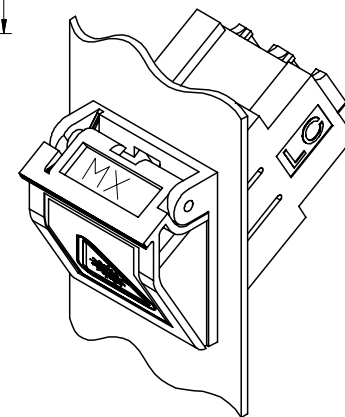
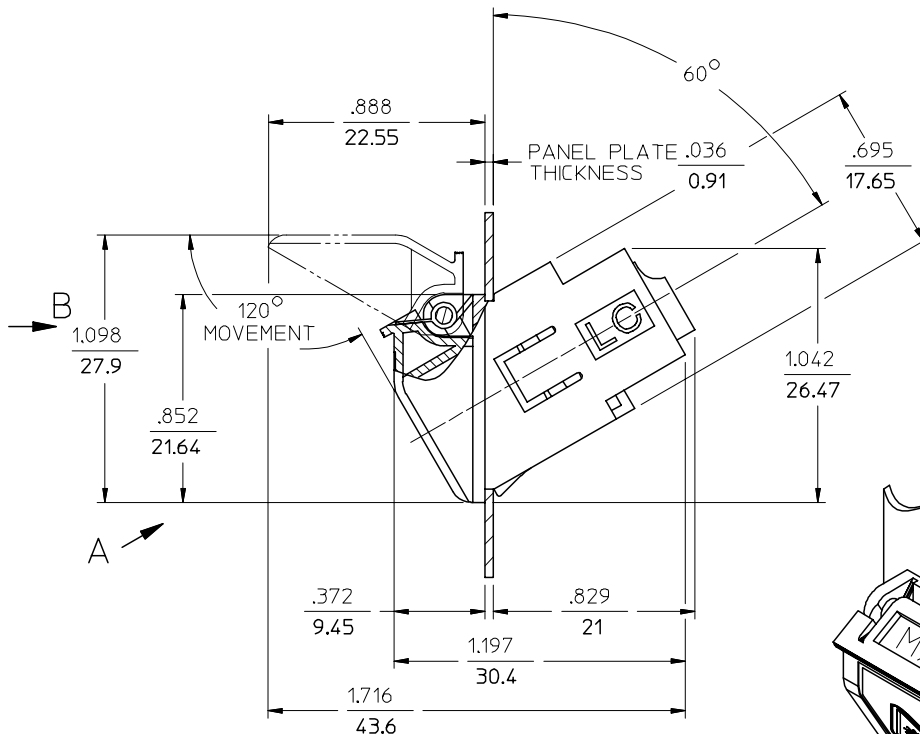
KIT P/N	ADAPTER COLOR	SLEEVE MATERIAL	BEZEL COLOR	DOOR COLOR
106004-3278	BLUE	ZIRCONIA	WHITE	BLACK
106004-3279	BEIGE	PHOSPHOR BRONZE		



RECOMMENDED MOUNTING HOLE



VIEW A  
DOOR REMOVED  
ROTATED 30° CW



ISOMETRIC VIEW

NOTES:  
2. LABEL TO BE INSTALLED BY CUSTOMER.

ENTER DESCRIPTION	QUALITY SYMBOLS
EC NO: MF2006-0262	▽=0
DRWN:RPACIFICI 2005/12/01	▽=0
CHKD: 2005/12/01	
APPR: IGUMIN 2005/12/01	
REV	DESCRIPTION
A	

GENERAL TOLERANCES (UNLESS SPECIFIED)

	mm	INCH
4 PLACES	± .005	± .0005
3 PLACES	± .004	± .0004
2 PLACES	± .003	± .0003
1 PLACE	± .002	± .0002

ANGULAR ±1/2°  
DRAFT WHERE APPLICABLE  
MUST REMAIN WITHIN DIMENSIONS

DIMENSION STYLE  
IN/MM

DRAWN BY	DATE
RPACIFICI	2005/10/20
CHECKED BY	DATE
APPROVED BY	DATE

MATERIAL NO.

SEE TABLE

SIZE B

SCALE  
2:1

TITLE  
LC BEZEL WITH PUSH TAB  
ADAPTER KITS

DOCUMENT NO.

SD-106004-327X

THIS DRAWING CONTAINS INFORMATION THAT IS PROPRIETARY TO MOLEX INCORPORATED AND SHOULD NOT BE USED WITHOUT WRITTEN PERMISSION

DESIGN UNITS  
INCH

MOLEX INCORPORATED

SHEET NO.

1 OF 01

THIRD ANGLE PROJECTION