

THIS DRAWING IS UNPUBLISHED.

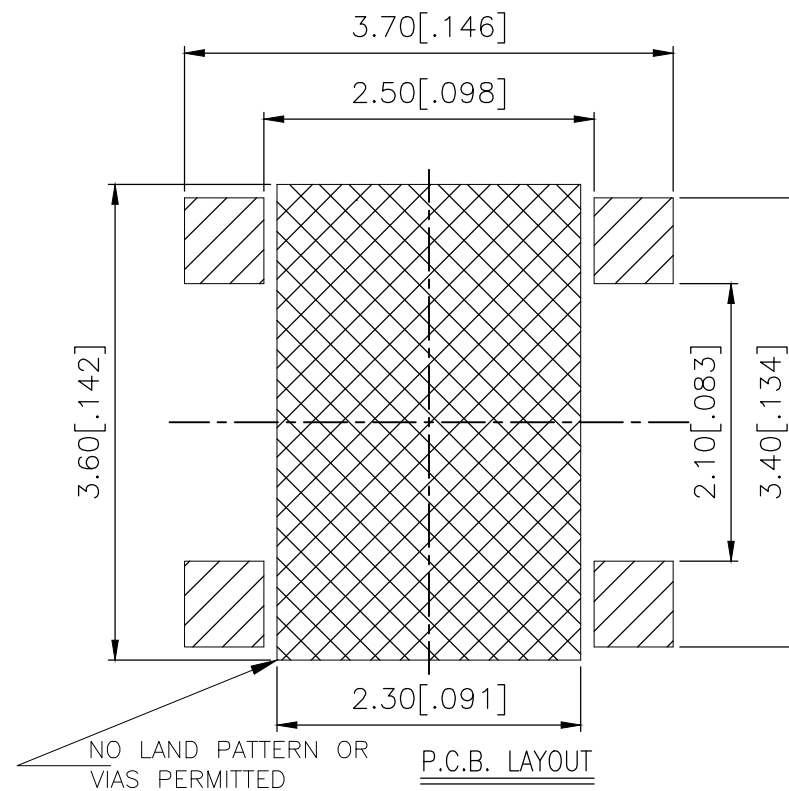
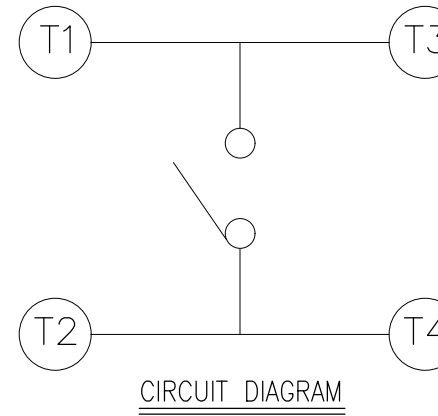
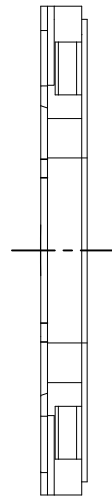
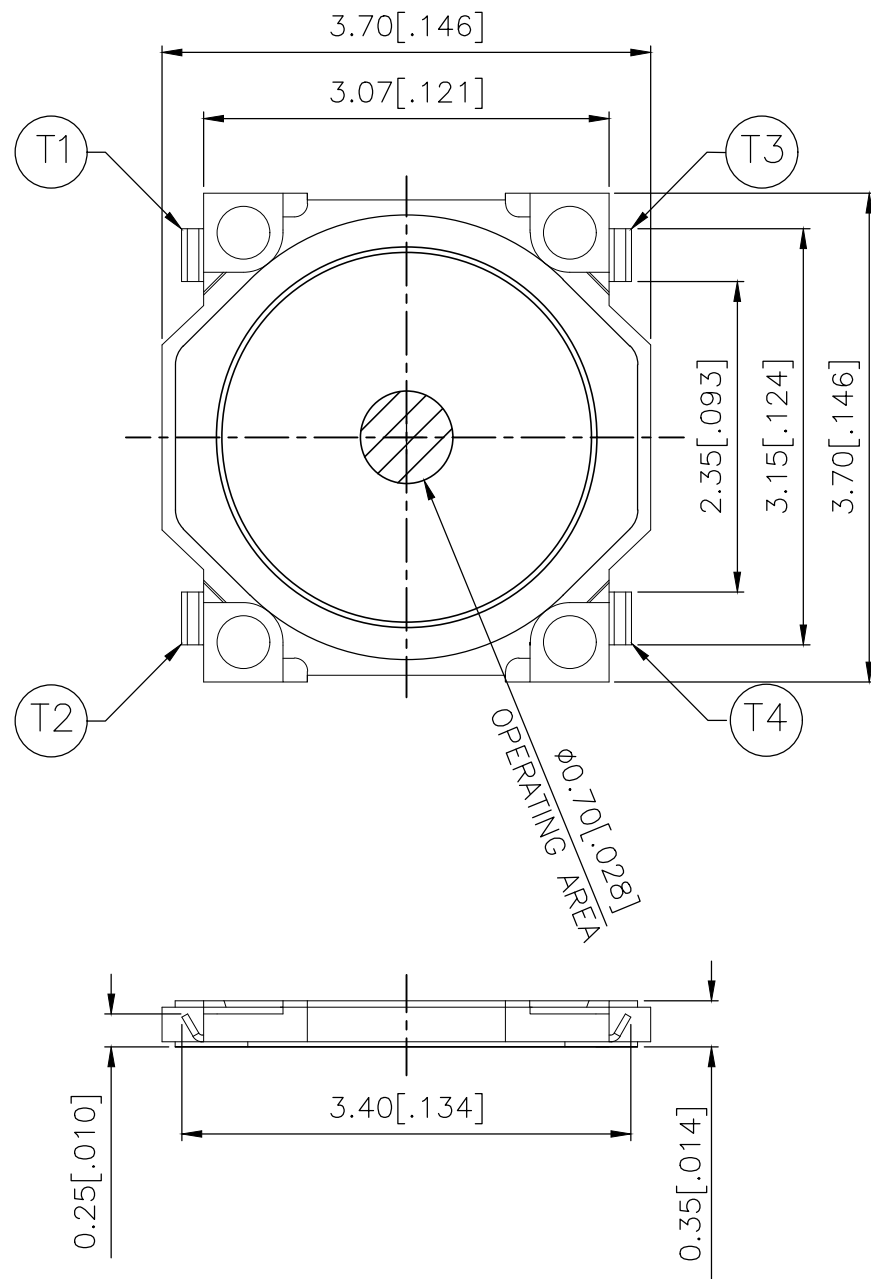
RELEASED FOR PUBLICATION

REVISIONS

© COPYRIGHT - TE Connectivity Ltd.

ALL RIGHTS RESERVED.

P	LTR	DESCRIPTION	DATE	DWN	APVD
	B	REVISED PER ECR-19-004770	10APR2019	SR	DD



235±60	USLPT3737AL5TR	2337229-2
160±50	USLPT3737AL2TR	2337229-1
ACTUATION FORCE (gf)	SMART PART NUMBER	PART NUMBER

THIS DRAWING IS A CONTROLLED DOCUMENT.		DWN	GANESH C M	04JUL2018
DIMENSIONS: mm [INCHES]		CHK	ALEXANDER SHARPE	04JUL2018
TOLERANCES UNLESS OTHERWISE SPECIFIED:		APVD	ALEXANDER SHARPE	04JUL2018
0 PLC	± -	PRODUCT SPEC		
1 PLC	± -	-		
2 PLC	± 0.2 [.008]	APPLICATION SPEC		
3 PLC	± -	-		
4 PLC	± -	WEIGHT		
ANGLES	± -	-		
MATERIAL	FINISH	CUSTOMER DRAWING		
-	-	SCALE NTS SHEET 1 of 3 REV B		

TE Connectivity Ltd.		NAME	
		SWITCH, TACTILE, LOW-PROFILE, ULTRA-MINI, 3.7 x 3.7 x 0.35, J BEND	
SIZE	CAGE CODE	DRAWING NO	RESTRICTED TO
A3	00779	C-2337229	-

THIS DRAWING IS UNPUBLISHED. RELEASED FOR PUBLICATION
 © COPYRIGHT - TE Connectivity Ltd. ALL RIGHTS RESERVED.

REVISIONS					
P	LTR	DESCRIPTION	DATE	DWN	APVD
-	-	SEE SHEET 1	-	-	-

NOTES:

- MATERIALS:**
 TERMINAL: COPPER ALLOY, SILVER FINISH
 BASE: THERMOPLASTIC, UL 94V-0, BLACK
 TAPE: POLYIMIDE
 CONTACT: STAINLESS STEEL, SILVER FINISH
- COMPLIANCE:**
 ALL MATERIALS AND FINISHES SHALL COMPLY WITH EU DIRECTIVE 2002/95/EC OF 27JAN2003(RoHS)
- SPECIFICATIONS:**
 RATING: 50 mA, 12V DC
 CONTACT RESISTANCE: 100mΩ MAXIMUM (INITIAL)
 INSULATION RESISTANCE: 100MΩ MINIMUM (INITIAL)
 DIELECTRIC STRENGTH: 100 V AC, 1 MINUTE
 OPERATING LIFE: 2337229-1 (160gf) = 500,000 CYCLES WITH LOAD
 2337229-2 (235gf) = 50,000 CYCLES WITH LOAD
 TRAVEL: 0.15±0.1 [.006±.004]
 ACTUATION FORCE: 2337229-1 = 160±50gf
 2337229-2 = 235±60gf
 OPERATING TEMPERATURE: -40° TO 85°C
 STORAGE TEMPERATURE: -20° TO 60°C (WITHIN TAPE PACKAGING)

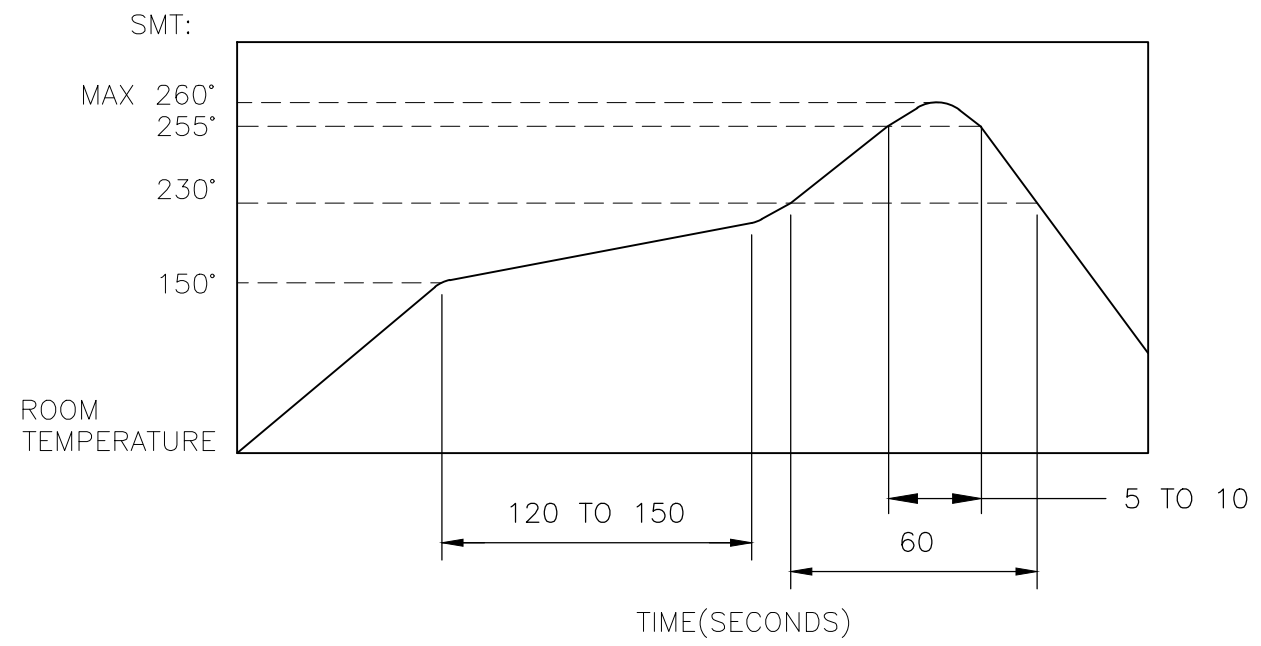
MANUAL SOLDERING:

SOLDERING TEMPERATURE	350°C MAXIMUM
CONTINUOUS SOLDERING TIME	5 SECONDS MAXIMUM

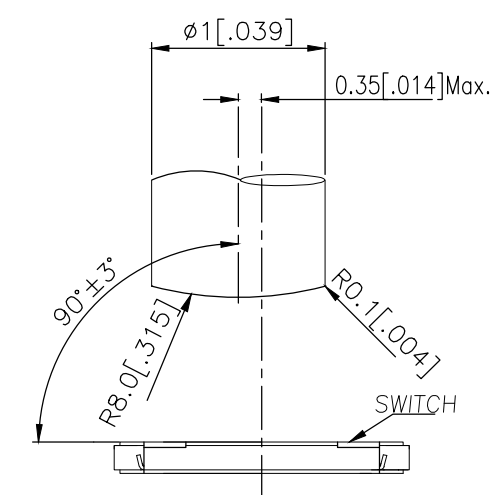
HANDLING PRECAUTIONS:

- CARE SHOULD BE EXERCISED SO THAT FLUX FROM THE TOP SURFACE OF THE PRINTED CIRCUIT BOARD DOES NOT ADHERE TO THE SWITCH.
- DO NOT WASH THE SWITCH
- OPERATING PRECAUTIONS:
 - DO NOT ACTUATE THE SWITCH WITH EXCESSIVE FORCE
 - DISCONTINUE FORCE AFTER THE SWITCH HAS BEEN ACTUATED SO AS TO AVOID DEFORMATION OF THE COMPONENTS OF THE SWITCH. DEFORMATION OF THE COMPONENTS MAY CAUSE THE SWITCH TO MALFUNCTION.
 - ALIGN THE PLUNGER WITH THE SWITCH TO INSURE PROPER OPERATION

4. SOLDER CONDITIONS:



THE CONDITION NOTED ABOVE IS THE TEMPERATURE OF THE COPPER FOIL ON THE SURFACE OF THE PCB. THERE ARE CASES WHERE THE TEMPERATURE OF THE BOARD GREATLY DIFFERS FROM THE SURFACE OF THE SWITCH. DO NOT ALLOW THE SURFACE TEMPERATURE OF THE SWITCH TO EXCEED 260°C.

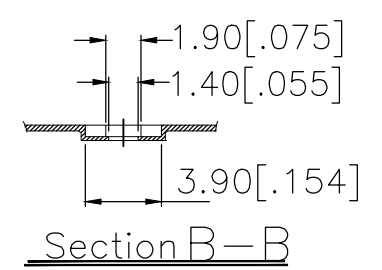
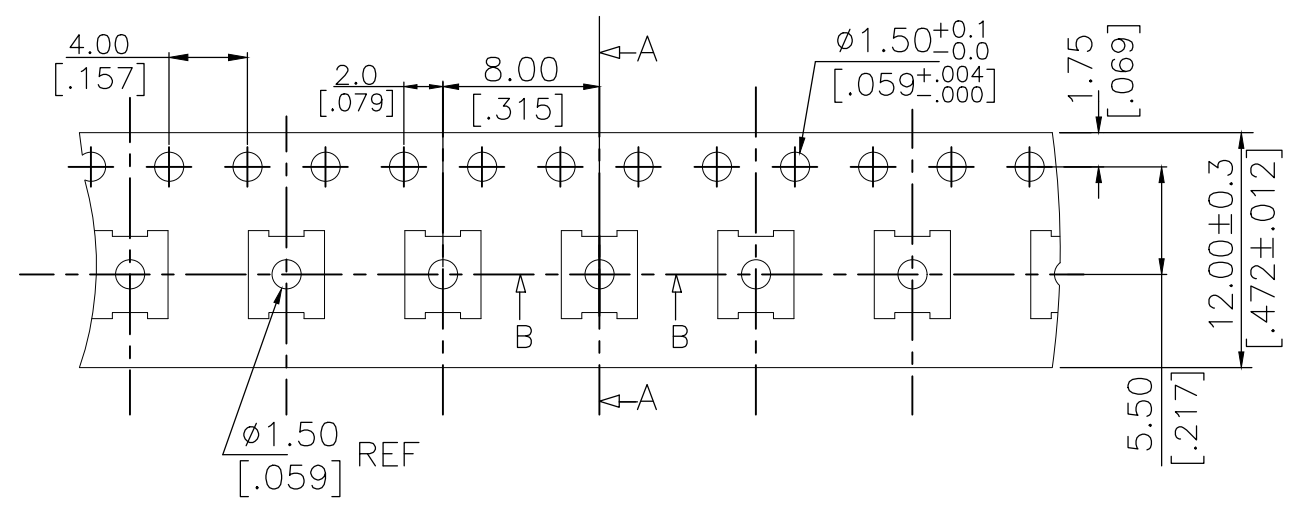


THIS DRAWING IS A CONTROLLED DOCUMENT.		DWN GANESH C M 04JUL2018	TE Connectivity Ltd.		
DIMENSIONS: mm [INCHES]		CHK ALEXANDER SHARPE 04JUL2018			
TOLERANCES UNLESS OTHERWISE SPECIFIED:		APVD ALEXANDER SHARPE 04JUL2018	NAME SWITCH, TACTILE, LOW-PROFILE, ULTRA-MINI, 3.7 x 3.7 x 0.35, J BEND		
0 PLC ± - 1 PLC ± - 2 PLC ± 0.2 [.008] 3 PLC ± - 4 PLC ± - ANGLES ± -		PRODUCT SPEC -	RESTRICTED TO -		
MATERIAL -		APPLICATION SPEC -	SIZE A3	CAGE CODE 00779	DRAWING NO C-2337229
FINISH -		WEIGHT -	CUSTOMER DRAWING		SCALE NTS
			SHEET 2 OF 3		REV B

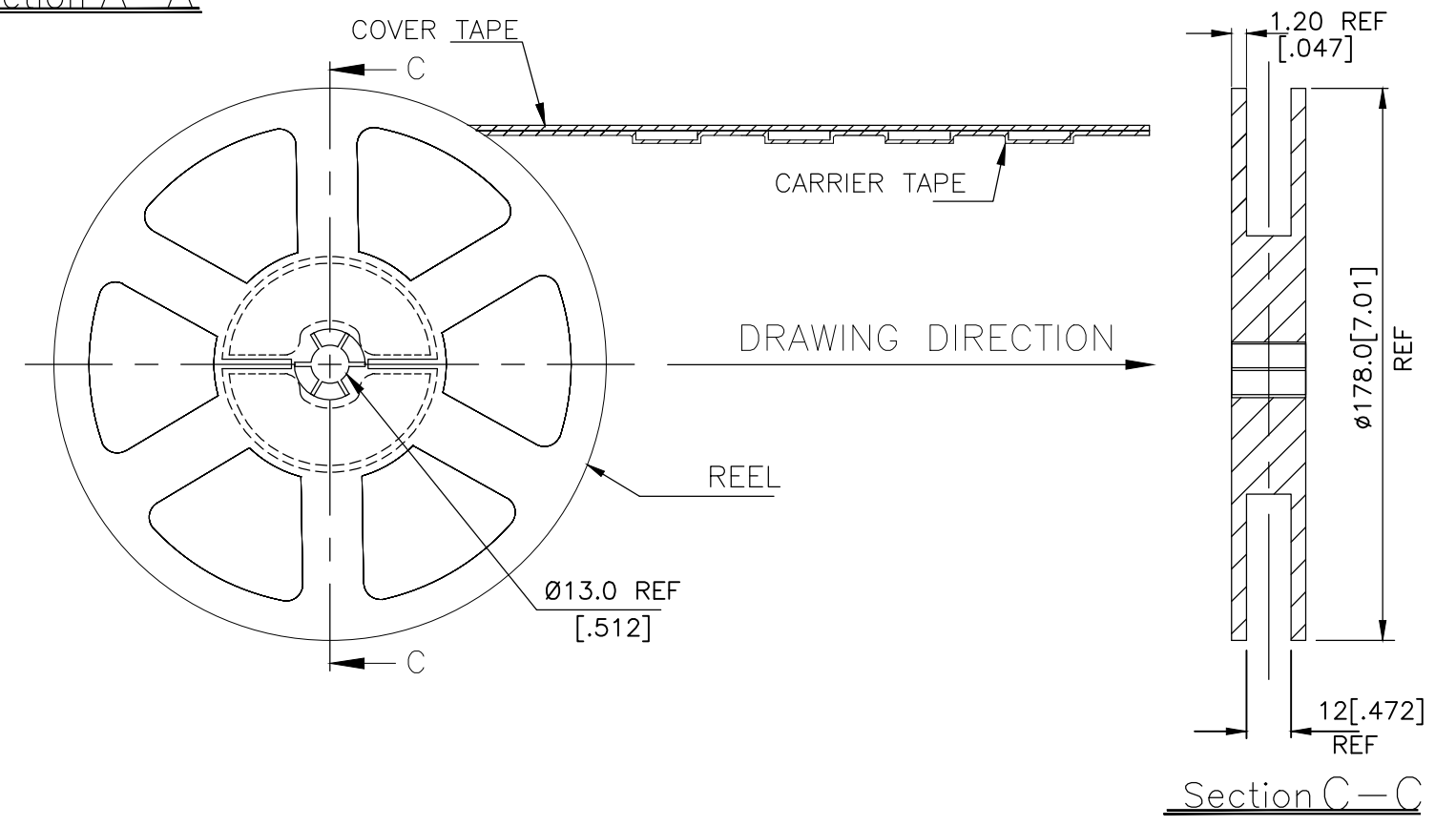
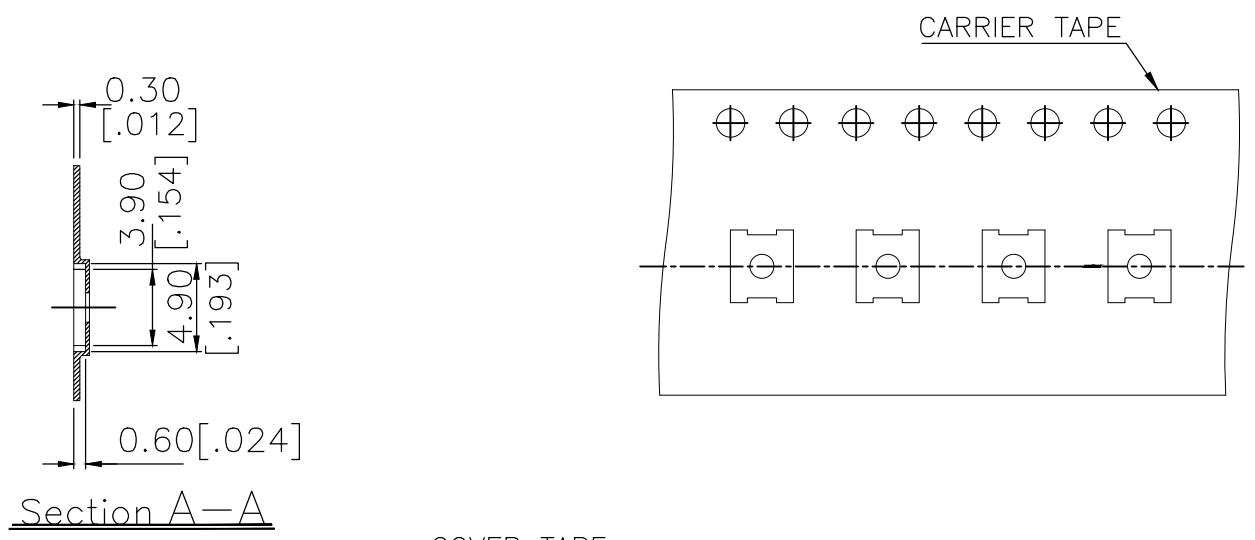
THIS DRAWING IS UNPUBLISHED. RELEASED FOR PUBLICATION
 © COPYRIGHT - TE Connectivity Ltd. ALL RIGHTS RESERVED.

REVISIONS					
P	LTR	DESCRIPTION	DATE	DWN	APVD
-	-	SEE SHEET 1	-	-	-

THE DIMENSIONS OF CARRIER TAPE AND REEL



ORIENTATION OF PILOT HOLES



6. PACKAGING:
1. THE TAPE AND REEL ARE SHOWN FOR CUSTOMER APPLICATION REFERENCE. PACKAGING NOTES 3 AND 4 ARE REQUIRED BUT NOT ILLUSTRATED.
 2. 3,000 SWITCHES PER REEL.
 3. THE REEL, DESICCANT POUCH AND HUMIDITY CARD ARE SEALED IN A MOISTURE BARRIER BAG PER THE CURRENT REVISION OF IPC/JEDEC J-STD-033, MSL 2A REQUIREMENTS.
 4. THE MOISTURE BARRIER BAG IS LABELED PER THE CURRENT REVISION OF IPC/JEDEC J-STD-033, MSL 2A REQUIREMENTS.

THIS DRAWING IS A CONTROLLED DOCUMENT.		DWN GANESH C M 04JUL2018	TE Connectivity Ltd.													
DIMENSIONS: mm [INCHES]		CHK ALEXANDER SHARPE 04JUL2018				NAME										
TOLERANCES UNLESS OTHERWISE SPECIFIED:		APVD ALEXANDER SHARPE 04JUL2018	SWITCH, TACTILE, LOW-PROFILE, ULTRA-MINI, 3.7 x 3.7 x 0.35, J BEND													
<table border="1"> <tr><td>0 PLC</td><td>± -</td></tr> <tr><td>1 PLC</td><td>± -</td></tr> <tr><td>2 PLC</td><td>± 0.2 [.008]</td></tr> <tr><td>3 PLC</td><td>± -</td></tr> <tr><td>4 PLC</td><td>± -</td></tr> <tr><td>ANGLES</td><td>± -</td></tr> </table>		0 PLC	± -	1 PLC	± -	2 PLC	± 0.2 [.008]	3 PLC	± -	4 PLC	± -	ANGLES	± -	PRODUCT SPEC	RESTRICTED TO	
0 PLC	± -															
1 PLC	± -															
2 PLC	± 0.2 [.008]															
3 PLC	± -															
4 PLC	± -															
ANGLES	± -															
MATERIAL		APPLICATION SPEC	SIZE A3	CAGE CODE 00779	DRAWING NO C-2337229											
FINISH		WEIGHT	SCALE NTS		SHEET 3 OF 3											
		CUSTOMER DRAWING		REV B												