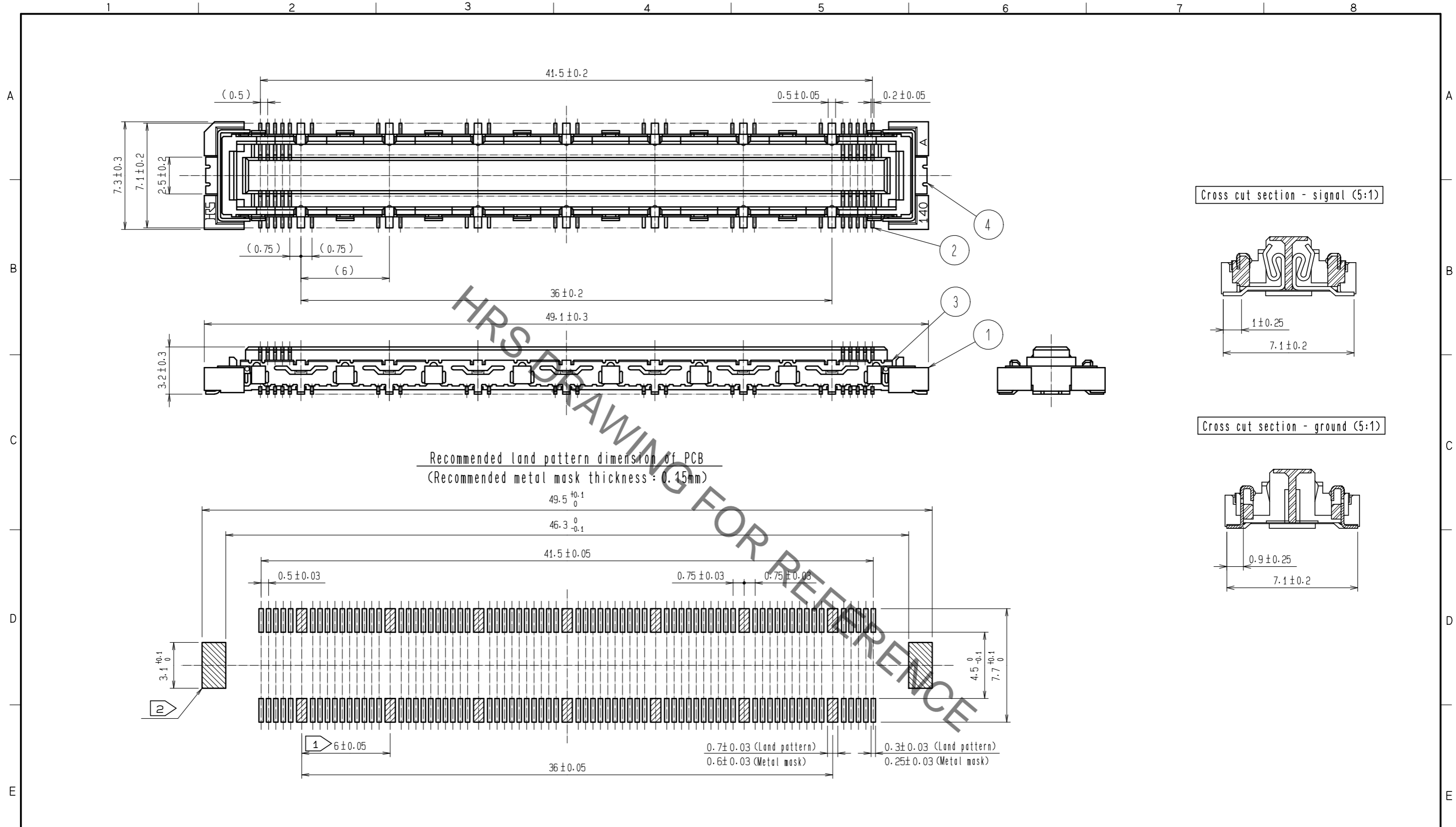


May.1.2023 Copyright 2023 HIROSE ELECTRIC CO., LTD. All Rights Reserved.  
In case of consideration for using Automotive equipment / device which demand high reliability, kindly contact our sales window correspondents.

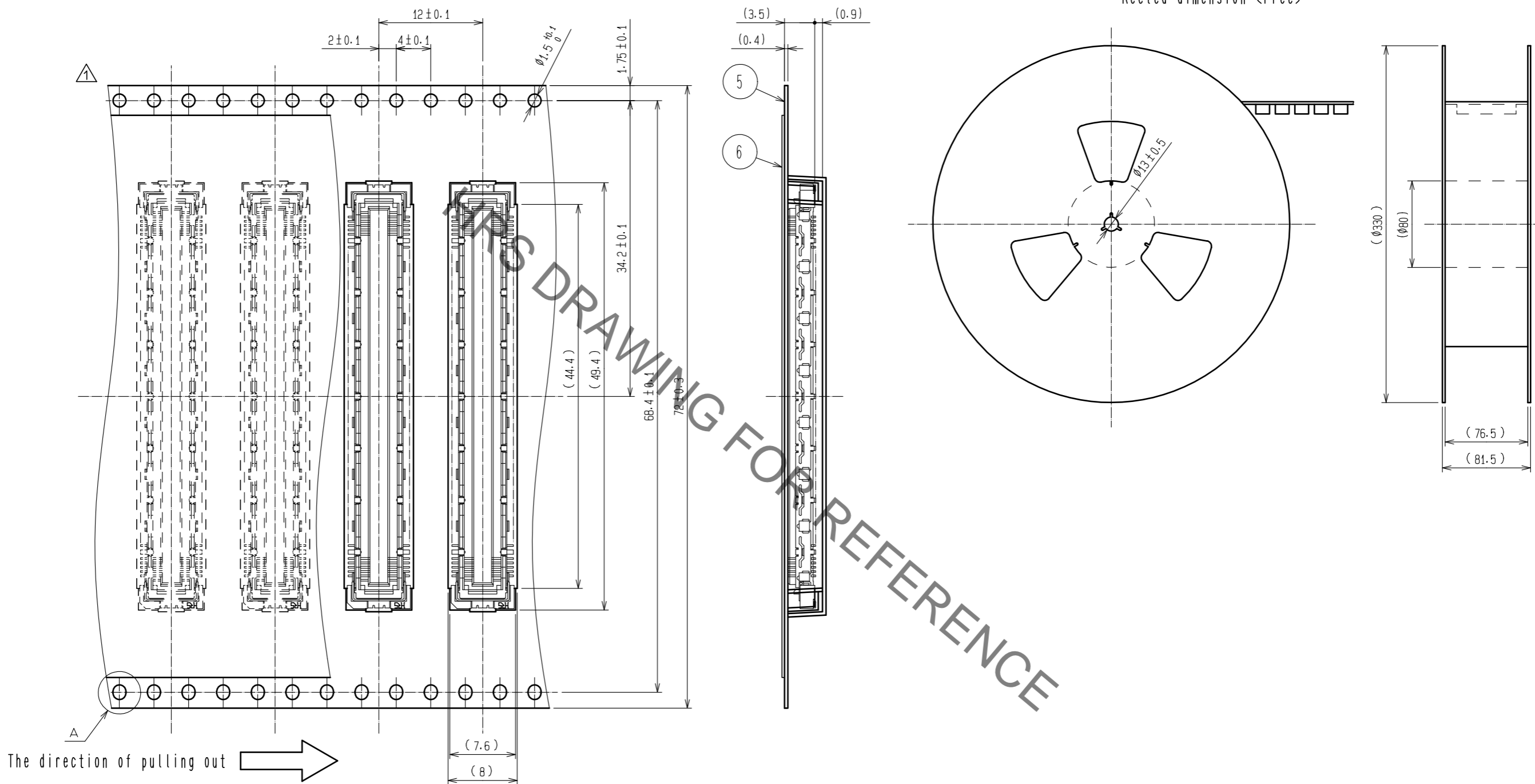


- Notes
- 1 14 hatched parts : ground circuit.
  - 2 2 hatched parts : ground circuit.
  - 3 SMT lead - coplanarity : 0.1 max.
  - 4 This product has no polarity to pattern for mounting.
  - 5 Emboss carrier tape package is applied on this product.  
Please refer to the sheet 2/2 for the details.
  - 6 The dimensions in parentheses are for reference.

2	Phosphor bronze	Contact area : Gold 0.1 $\mu$ m min	6	Polyester	(Top cover tape)
		Lead area : Gold 0.05 $\mu$ m min	5	Polyethylene	(Emboss carrier tape)
		Under plating : Nickel 1 $\mu$ m min	4	Phosphor bronze	Tin - plating
1	LCP	Beige	3	Phosphor bronze	Tin - plating
		UL94V-0			
NO.	MATERIAL	FINISH . REMARKS	NO.	MATERIAL	FINISH . REMARKS
UNITS		SCALE	COUNT	DESCRIPTION OF REVISIONS	
mm		4 : 1	1	DIS-F-00011032	
APPROVED : HT. YAMAGUCHI		20100729	DRAWING NO. EDC3-151983-21		
CHECKED : HT. YAMAGUCHI		20100729	PART NO. FX10B-140S/14-SV(C91)		
DESIGNED : SY. KAMIGA		20100729	CODE NO. CL0570-0224-0-91		
DRAWN : HK. SUNADORI		20100728			
					1/2

May.1.2023 Copyright 2023 HIROSE ELECTRIC CO., LTD. All Rights Reserved.  
 In case of consideration for using Automotive equipment / device which demand high reliability, kindly contact our sales window correspondents.

# Drawing for packing (2:1)



- Notes
- 7 1 reel : 1,000 connectors.
  - 8 Minimum 10 compartments from both reel ends remain empty.
  - 9 This product has no polarity to tape and reel packaging.
  - 10 The dimensions in parentheses are for reference.

<b>HRS</b>	DRAWING NO.	EDC3-151983-21
	PART NO.	FX10B-140S/14-SV(91)
	CODE NO.	CL0570-0224-0-91
		2/2