

bq2431x DSJ EVM (HPA251) for Li+ Charger Front-End Protection IC

Contents

1	Introduction	1
2	Test Summary	2
3	PCB Layout Guideline	6
4	Bill of Materials, Board Layout, and Schematics	7

List of Figures

1	Original Test Setup for HPA251 (bq2431x DSJ EVM)	4
2	Charger IC Test Setup for HPA251 (bq2431x DSJ EVM)	5
3	Chipset Test Setup for HPA251 (bq2431x DSJ EVM)	6
4	Top Layer	7
5	Bottom Layer	8
6	Top Silkscreen	8
7	Top Assembly	9

1 Introduction

1.1 EVM Features

- Evaluation module for bq2431x DSJ
- Evaluation module for bq24080 charger IC
- Evaluation module for bq2431x and bq24080 chipset solution
- Input operating range for bq2431x 4.5 V–26 V
- Input operating range for bq24080 4.5 V–6.5 V
- Input overvoltage protection
- Input overcurrent protection
- Battery overvoltage protection
- LED indication for status signals
- Test points for key signals available for testing purpose. Easy probe hook-up
- Jumpers available. Easy to change connections

1.2 General Description

The bq2431x evaluation module is a complete charger module for evaluating a charger front-end protection and charger solution using the bq2431x and bq24080 devices. It is designed to deliver up to 700 mA of charge current to Li-ion or Li-polymer applications. The charger front-end protection current is designed to 1000 mA.

The bq2431x protects the charging system against three types of failures: input overvoltage when the AC adapter fails to regulate its voltage; load overcurrent when failures such as a short circuit occur in the charging system; and battery overcharge.

Test Summary

For details, see the bq2431x data sheet ([SLUS763](#)).

1.3 I/O Description

Jack	Description
J1-OUT	CFE OUT pin
J1-DC-	CFE VSS pin, ground
J1-BAT+	Connect to battery positive output
J1- $\overline{\text{FAULT}}$	CFE $\overline{\text{FAULT}}$ pin
J2-CHGIN	bq24080 IN pin, connect to external power supply positive output
J2-DC-	bq24080 VSS pin, ground
J3-BAT+	Connect to battery positive output
J3-BAT-	Connect to battery negative output, ground
J4-DC+	AC adapter, positive output
J4-DC-	AC adapter, negative output, ground

1.4 Controls and Key Parameters Setting

Jack	Description	Factory Setting
JMP1	CFE OUT pin is connected to bq24080 IN pin	Jumper Off
JMP2	CFE input voltage is indicated by LED	Jumper On
JMP3	CFE output voltage is indicated by LED	Jumper On
JMP4	CFE $\overline{\text{CE}}$ pin is connected to 5 V	Jumper On
JMP5	Bq24080 STAT1 pin is indicated by LED	Jumper On
JMP6	Bq24080 STAT2 pin is indicated by LED	Jumper On
JMP7	Bq24080 $\overline{\text{PG}}$ pin is indicated by LED	Jumper On
JMP8	Bq24080 $\overline{\text{CE}}$ pin is connected to 5 V	Jumper On

1.5 Recommended Operating Conditions

Symbol	Description	Min	Typ	Max	Unit	Notes
Supply voltage, V_{IN}	Input voltage from AC adapter input	4.5	5	26	V	
Battery voltage, V_{BAT}	Voltage applied at VBAT terminal of J4	0	3 - 4.2	5	V	
Supply current, I_{AC}	Maximum input current from AC adapter input	0		1.5	A	
Charge current, I_{chrg}	Battery charge current	0.07	0.7	1	A	
Operating junction temperature range, T_{J}		0		125	°C	

2 Test Summary

2.1 Definitions

This procedure details how to configure the HPA251 evaluation board. On the test procedure, the following naming conventions are followed. See the HPA251 schematic for details.

VXXX :	External voltage supply name (VIN, VBAT, VOUT)
LOADW:	External load name (LOADR, LOADI)
V(TPyyy) :	Voltage at internal test point TPyyy. For example, V(TP1) means the voltage at TP1.
V(Jxx):	Voltage at jack terminal Jxx
V[TP(XXXXX)]:	Voltage at test point XXXXX. For example, V(ACDET) means the voltage at the test point which is marked as <i>ACDET</i> .
V(XXX, YYY):	Voltage across point XXX and YYY
I[JXX(YYY)]:	Current going out from the YYY terminal of jack XX
Jxx(BBB):	Terminal or pin BBB of jack xx
Jxx ON :	Internal jumper Jxx terminals are shorted.
Jxx OFF:	Internal jumper Jxx terminals are open.
Jxx (-YY-) ON:	Internal jumper Jxx adjacent terminals marked as YY are shorted.
Measure:	A,B Check specified parameters A, B. If measured values are not within specified limits, the unit under test has failed.
Observe:	A,B Observe if A, B occur. If they do not occur, the unit under test has failed.

Assembly drawings have location for jumpers, test points, and individual components.

2.2 Equipment

2.2.1 Power Supplies

Power Supply #1 (PS#1): a power supply capable of supplying 20 V at 2 A is required.
 Power Supply #2 (PS#2): a power supply capable of supplying 5 V at 1 A is required.

2.2.2 Load #1

A 10-V (or above), 2-A (or above) electronic load that can operate at constant current mode

2.2.3 Load #2

A 10-V (or above), 2-A (or above) electronic load that can operate at constant voltage mode

2.2.4 Meters

Four Fluke 75 multimeters, (equivalent or better)
 Or: Three equivalent voltage meters and one equivalent current meter. The current meters must be capable of measuring 2-A+ current.

2.2.5 Wire Gauge

All wires connected to EVM input power supply and output load should use at least AWG 22. The maximum current is up to 1 A.

2.3 Equipment Setup

- Set the power supply #1 for 0 V \pm 100 mVDC, 2 \pm 0.1-A current limit and then disable the output.
- Connect the output of power supply #1 to J4 (DC+, DC-).
- Connect a voltage meter across J4 (DC+, DC-).
- Set the power supply #2 for 3.7 V \pm 100 mVDC, 0.2 \pm 0.1-A current limit and then disable the output.

Test Summary

- E. Connect power supply#2 to J1 (BAT+, DC-).
- F. Connect a voltage meter across J1 (BAT+, DC-).
- G. Connect the output of the Load #1 in series with a current meter (multimeter) to J1 (OUT, DC-).
Ensure that a voltage meter is connected across J1 (OUT, DC-). Turn on the power of the Load #1.
Set the load current to $0.75\text{ A} \pm 100\text{ mA}$ but disable the output.
- H. JMP1: OFF, JMP2: ON, JMP3: ON, JMP4: ON, JMP5: ON, JMP6: ON, JMP7: ON, JMP8: ON.

After the preceding steps, the test setup for HPA251 (bq2431x DSG EVM) is as shown in Figure 1.

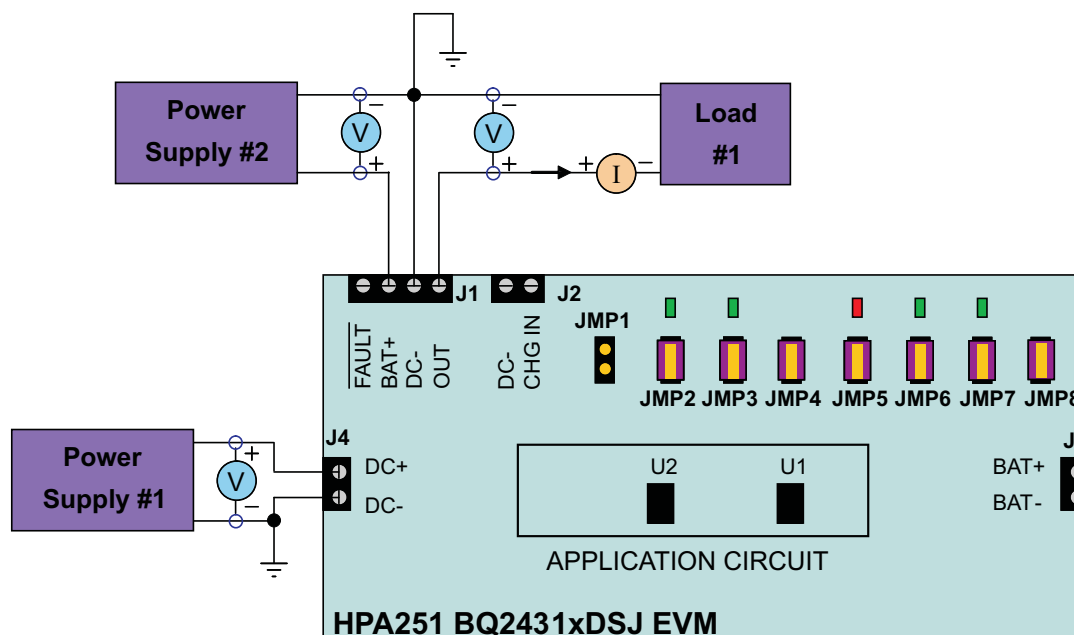


Figure 1. Original Test Setup for HPA251 (bq2431x DSJ EVM)

2.4 Procedure

2.4.1 CFE ENABLE and Voltage Regulation

1. Ensure that the preceding Equipment Setup steps are followed.
2. Enable output of PS#2.
3. Enable output of PS#1.
4. Increase the output voltage of PS#1 to $5\text{ V} \pm 0.1\text{ V}$.
Measure $\rightarrow V(\text{J1}(\text{OUT})) = 0\text{ V} \pm 500\text{ mV}$
Observe \rightarrow D2 on, D3 off.
5. Uninstall JMP4 (enable U2).
Measure $\rightarrow V(\text{J1}(\text{OUT})) = 5\text{ V} \pm 200\text{ mV}$.
Observe \rightarrow D2 on, D3 on.

2.4.2 CFE Input Overvoltage Protection

1. Increase the voltage of PS#1 to $8\text{ V} \pm 0.1\text{ V}$.
Measure $\rightarrow V(\text{J1}(\text{OUT})) = 0\text{ V} \pm 500\text{ mV}$.
Observe \rightarrow D2 on, D3 off.
2. Decrease the voltage of PS#1 to $5\text{ V} \pm 0.1\text{ V}$.
Observe \rightarrow D2 on, D3 on.

2.4.3 CFE Load Overcurrent Protection

1. Enable the output of the Load #1.
Observe → D2 on, D3 on.
2. Increase the current of Load #1 to 1.2 A \pm 0.1 A.
Observe → D2 on, D3 off.
3. Turn off Load #1.
4. Decrease the voltage of PS#1 to 0 V \pm 0.1 V.

2.4.4 CFE Battery Overvoltage Protection

1. Increase the output voltage of PS#1 to 5V \pm 0.1V.
Observe → D2 on, D3 on.
2. Increase the voltage of PS #2 to 4.6 V \pm 0.1 V.
Observe → D2 on, D3 off.
3. Decrease the voltage of PS #2 to 3.7 V \pm 0.1 V.
Observe → D2 on, D3 on.
4. Turn off all the power supplies and loads. Remove all connection between test board and power supplies or loads.

2.4.5 Charge IC Test Setup

1. Set the power supply #1 for 0 V \pm 100 mVDC, 2-A \pm 0.1-A current limit and then disable the output.
2. Connect the output of power supply #1 to J2 (CHG IN, DC-).
3. Connect a voltage meter across J2 (CHG IN, DC-).
4. Set the voltage of Load #2 to 3.6 V \pm 0.1 V, disable output of Load #2.
5. Connect output of the Load #2 in series with a current meter (multimeter) to J3 (BAT+, BAT-). Ensure that a voltage meter is connected across J3 (BAT+, BAT-).
6. JMP1: OFF, JMP2: ON, JMP3: ON, JMP4: ON, JMP5: ON, JMP6: ON, JMP7: ON, JMP8: ON
7. After the preceding steps, the test setup for HPA251 (bq2431x DSJ EVM) is as shown in [Figure 2](#).

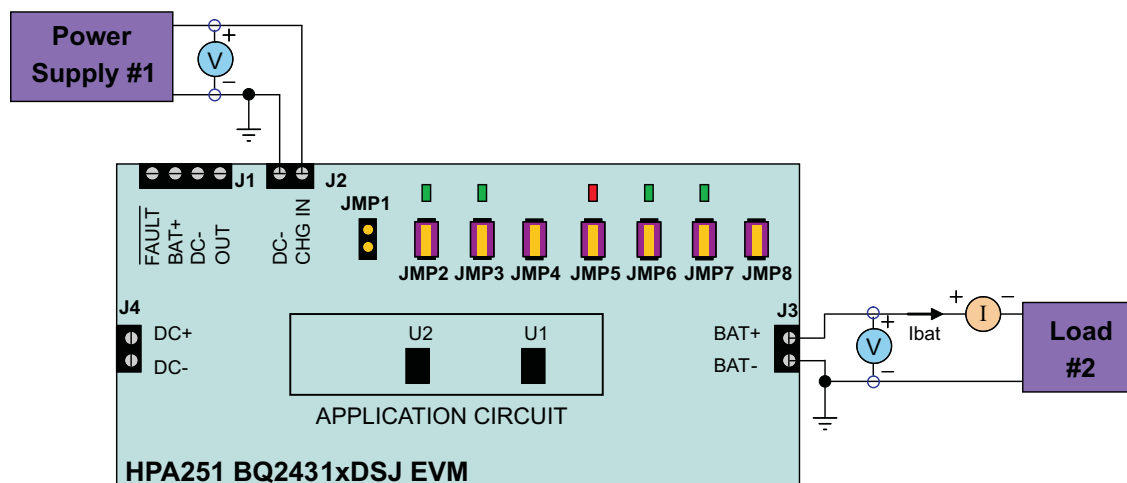


Figure 2. Charger IC Test Setup for HPA251 (bq2431x DSJ EVM)

2.4.6 Charge IC Test

1. Enable output of Load #2.
2. Enable output of PS#1.
3. Increase the voltage of PS #1 to 5 V \pm 0.1 V.

- Observe → D4 off, D5 off, D6 on.
- Uninstall JMP8 (enable U1).
Measure → $I_{bat} = 700 \text{ mA} \pm 70 \text{ mA}$.
Observe → D4 on, D5 off, D6 on.
 - Disable the output of Load #2.
 - Disable the output of PS#1, and remove PS #1 from J2.

2.4.7 CFE and Charge IC Chipset Test Setup

- Connect the output of power supply #1 to J4 (DC+, DC-).
- Connect a voltage meter across J4 (DC+, DC-).
- JMP1: ON, JMP2: ON, JMP3: ON, JMP4: OFF, JMP5: ON, JMP6: ON, JMP7: ON, JMP8: OFF.
- After the preceding steps, the test setup for HPA251 (bq2431x DSJ EVM) is as shown in Figure 3.

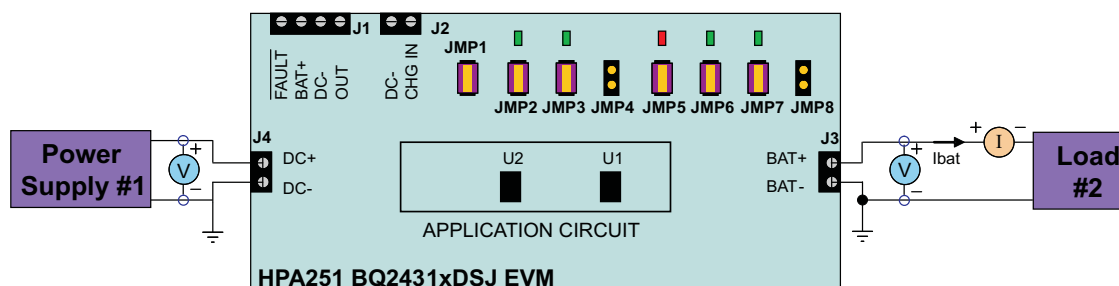


Figure 3. Chipset Test Setup for HPA251 (bq2431x DSJ EVM)

2.4.8 CFE and Charge IC Chipset Test

- Enable output of Load #2.
- Enable output of PS#1.
Measure → $I_{bat} = 700 \text{ mA} \pm 70 \text{ mA}$.
Observe → D2 on, D3 on, D4 on, D5 off, D6 on.

3 PCB Layout Guideline

- It is critical that the exposed power pad on the backside of the bq2430x/1x package be soldered to the PCB ground. Ensure that sufficient thermal vias are right underneath the IC, connecting to the ground plane on the other layers.
- The high-current charge paths into IN and from OUT pins must be sized appropriately for the maximum charge current in order to avoid voltage drops in these traces.
- Decoupling capacitors for IN, OUT should be placed so that the interconnections to the IC are as short as possible.
- Resistors for ILIM and VLIM must be placed close to the corresponding IC pins so that the interconnections to the IC are as short as possible.

4 Bill of Materials, Board Layout, and Schematics

4.1 Bill of Materials

bq24314 -001	bq24316 -002	RefDes	Value	Description	Size	Part Number	MFR
3	32	C1, C2, C5	1 μ F	Capacitor, Ceramic, 16-V, X7R, 10%	805	Std	Std
0	0	C3	OPEN	Capacitor, Ceramic, 35-V, X7R, 10%	805	Std	Std
1	1	C4	1 μ F	Capacitor, Ceramic, 35-V, X7R, 10%	805	Std	Std
1	1	D1	BZT52C5V1S	Diode, Zener, 200 mW, 5.1V	SOD-323	BZT52C5V1S	General
4	4	D2, D3, D5, D6	Green	Diode, LED, Green, 2.1-V, 20-mA, 6-mcd	603	LTST-C190GKT	Liteon
1	1	D4	Red	Diode, LED, Red, 1.8-V, 20-mA, 20-mcd	603	LTST-C190CKT	Liteon
1	1	J1	ED1516	Terminal Block, 4-pin, 6-A, 3.5mm	0.55 x 0.25 inch	ED1516	OST
3	3	J2–J4	ED1514	Terminal Block, 2-pin, 6-A, 3.5mm	0.27 x 0.25 inch	ED1514	OST
8	8	JMP1–JMP8	PTC36SAAN	Header, 2-pin, 100mil spacing, (36-pin strip)	0.100 inch x 2	PTC36SAAN	Sullins
8	8	JMP1–JMP8	929950-00	Shorting jumpers, 2-pin, 100mil spacing,		929950-00	3M/ESD
1	1	R1, R4	20k	Resistor, Chip, 1/16-W, 5%	603	Std	Std
1	1	R2	24.9k	Resistor, Chip, 1/16W, 1%	603	Std	Std
1	1	R3	1.13k	Resistor, Chip, 1/16-W, 1%	603	Std	Std
2	2	R5, R6	100k	Resistor, Chip, 1/16W, 5%	603	Std	Std
1	1	R7	6.2k	Resistor, Chip, 1/16-W, 5%	603	Std	Std
5	5	R8–R12	1.5k	Resistor, Chip, 1/16-W, 5%	603	Std	Std
1	1	U1	bq24080DRC	IC, Single Chip, Li Ion/Li POL, Charger	DRC10	bq24080DRC	TI
1	0	U2	bq24314DSJ	IC, Li+ Charger Front-End Protection	DSJ12	bq24314DSJ	TI
0	1	U2	bq24316DSJ	IC, Li+ Charger Front-End Protection	DSJ12	bq24316DSJ	TI
1	1	--	HPA251	PCB, 1.2 In x 3 In x 0.031 In		PCB	Any

Notes: 1. Number 0 in left-side columns means do not use this component.
 2. OPEN in value column means do not use this component
 3. Std in part number column means standard manufacturer's part number.
 4. Std in MFR column means standard manufacturer.

4.2 Board Layout

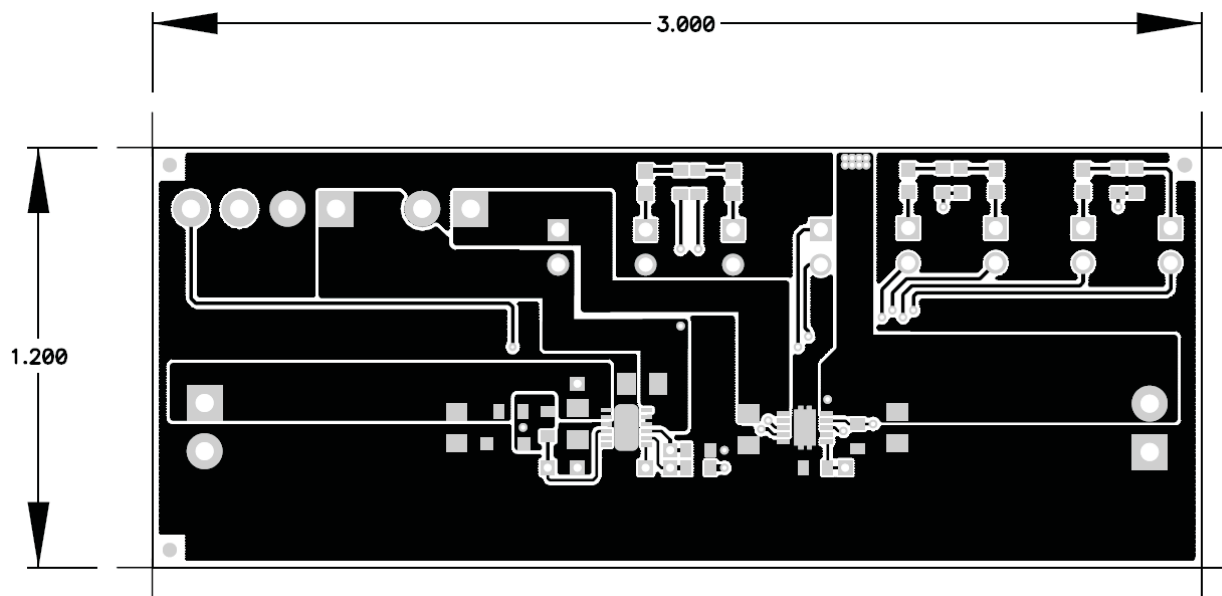


Figure 4. Top Layer

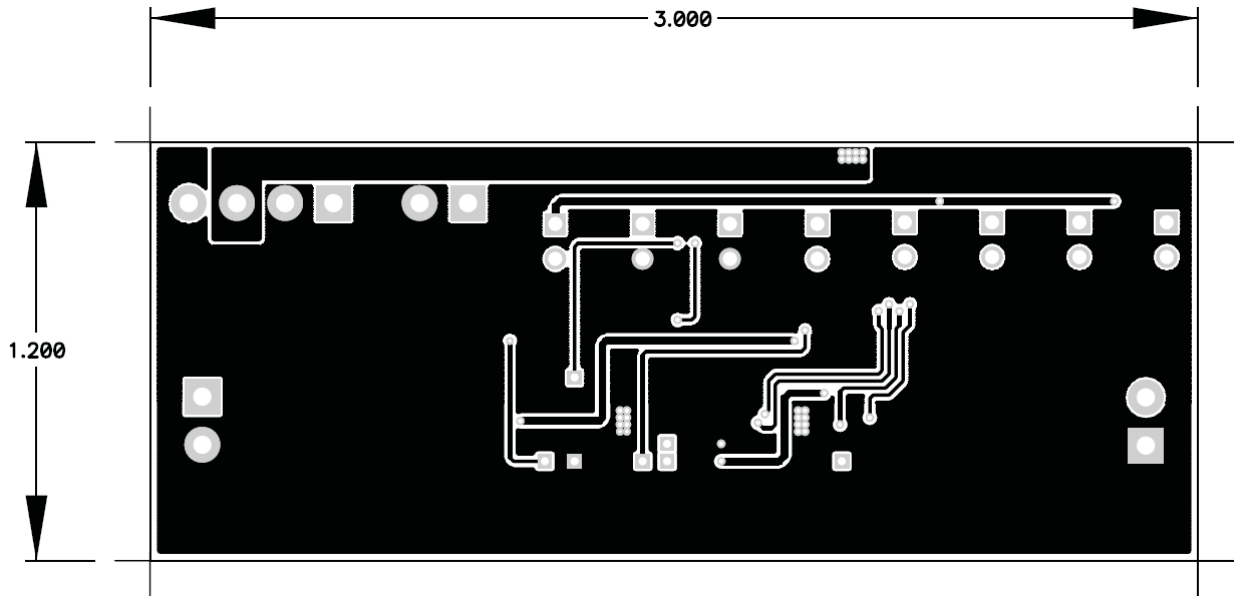


Figure 5. Bottom Layer

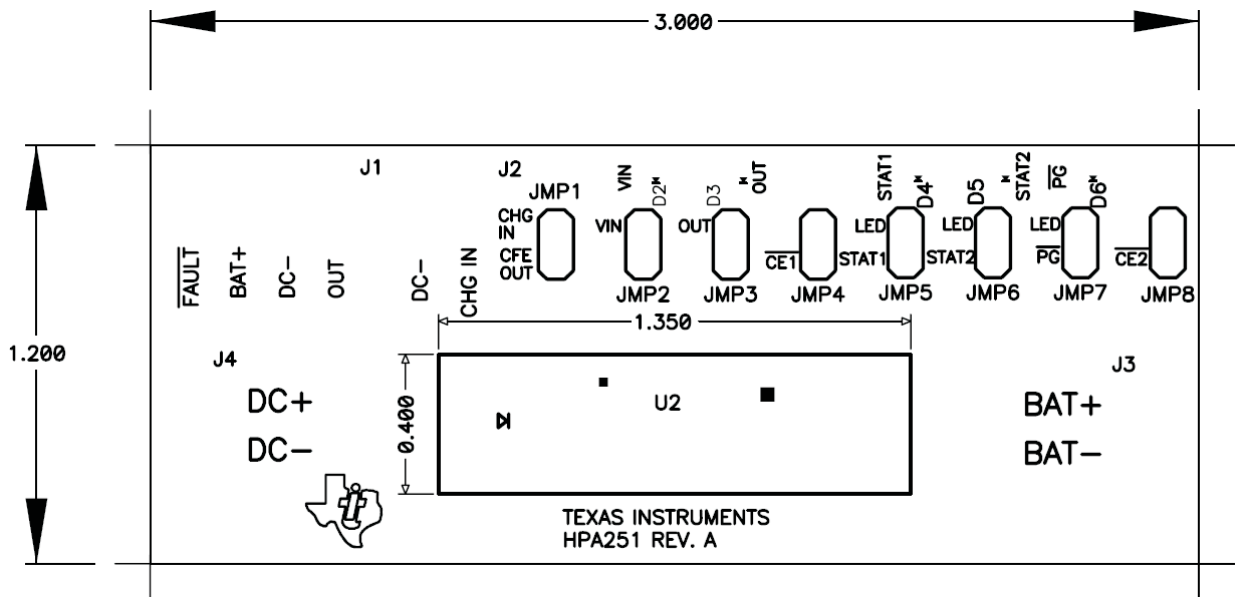


Figure 6. Top Silkscreen

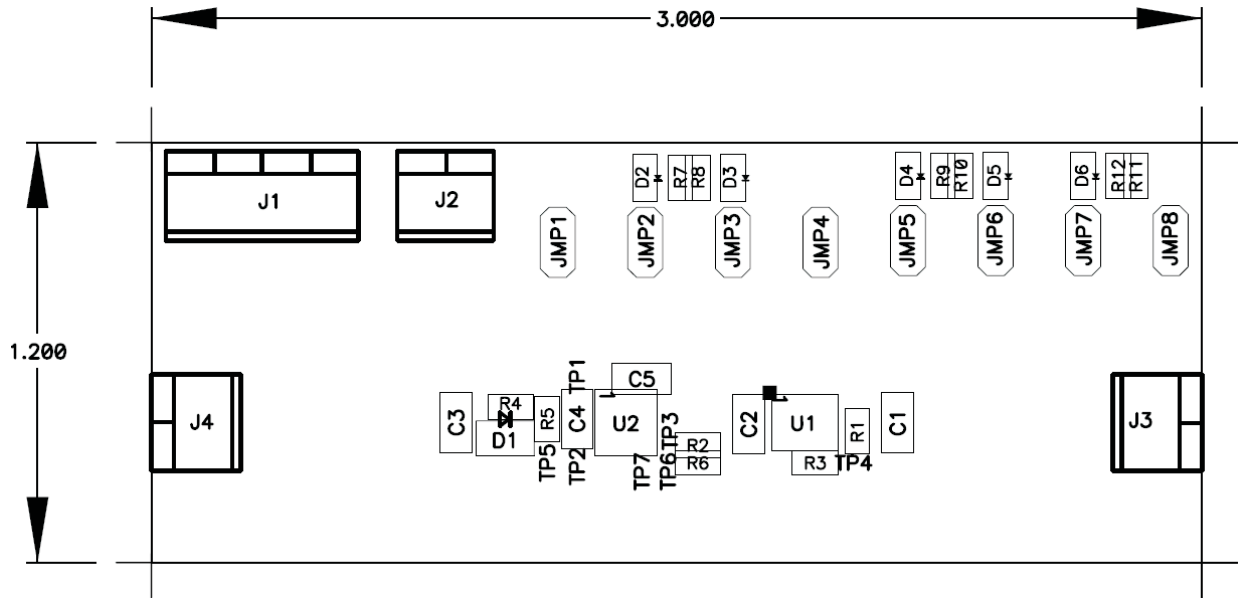
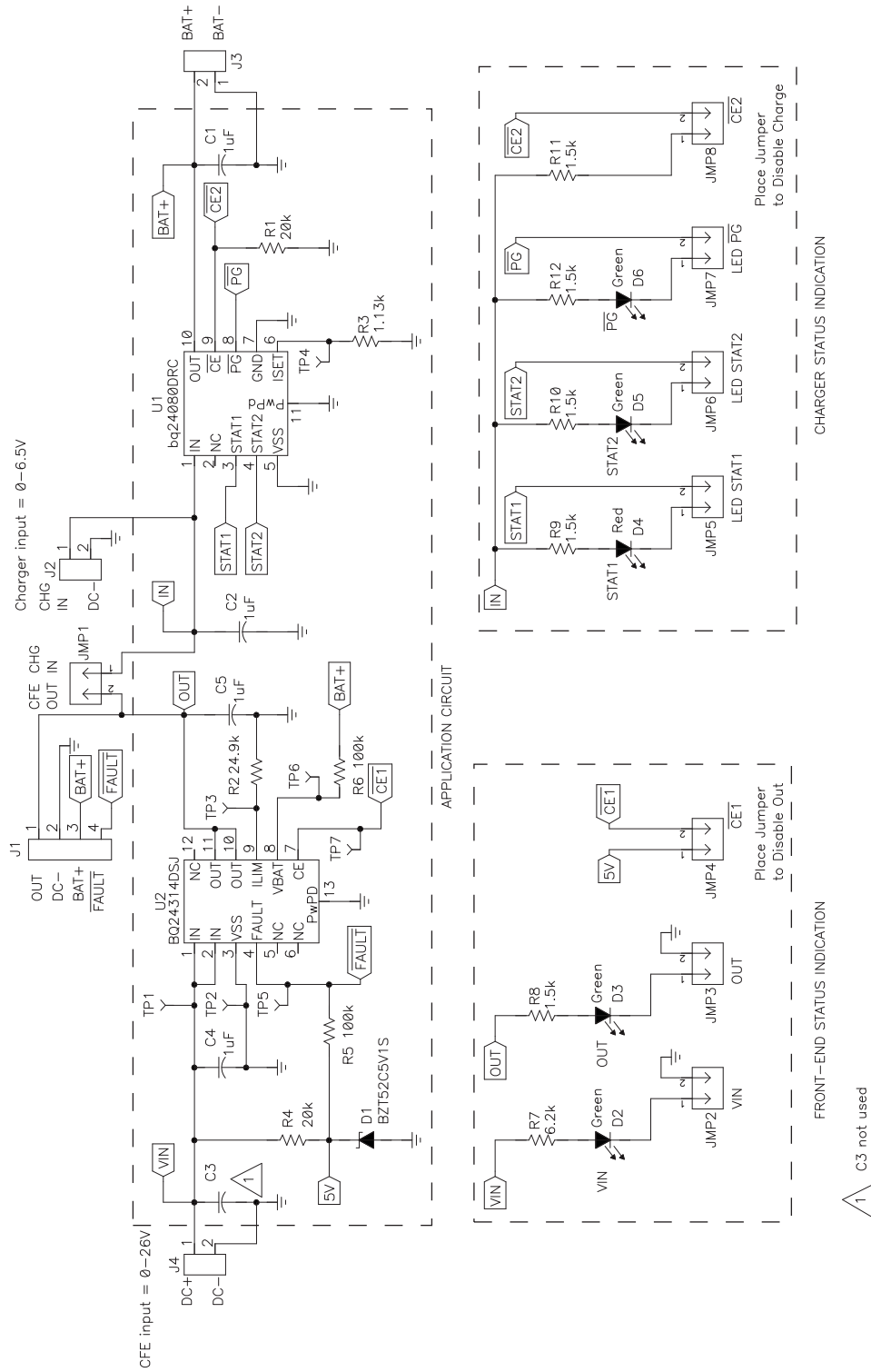


Figure 7. Top Assembly

4.3 Schematic

The bq2431x DSJ EVM schematic follows.



EVALUATION BOARD/KIT IMPORTANT NOTICE

Texas Instruments (TI) provides the enclosed product(s) under the following conditions:

This evaluation board/kit is intended for use for **ENGINEERING DEVELOPMENT, DEMONSTRATION, OR EVALUATION PURPOSES ONLY** and is not considered by TI to be a finished end-product fit for general consumer use. Persons handling the product(s) must have electronics training and observe good engineering practice standards. As such, the goods being provided are not intended to be complete in terms of required design-, marketing-, and/or manufacturing-related protective considerations, including product safety and environmental measures typically found in end products that incorporate such semiconductor components or circuit boards. This evaluation board/kit does not fall within the scope of the European Union directives regarding electromagnetic compatibility, restricted substances (RoHS), recycling (WEEE), FCC, CE or UL, and therefore may not meet the technical requirements of these directives or other related directives.

Should this evaluation board/kit not meet the specifications indicated in the User's Guide, the board/kit may be returned within 30 days from the date of delivery for a full refund. **THE FOREGOING WARRANTY IS THE EXCLUSIVE WARRANTY MADE BY SELLER TO BUYER AND IS IN LIEU OF ALL OTHER WARRANTIES, EXPRESSED, IMPLIED, OR STATUTORY, INCLUDING ANY WARRANTY OF MERCHANTABILITY OR FITNESS FOR ANY PARTICULAR PURPOSE.**

The user assumes all responsibility and liability for proper and safe handling of the goods. Further, the user indemnifies TI from all claims arising from the handling or use of the goods. Due to the open construction of the product, it is the user's responsibility to take any and all appropriate precautions with regard to electrostatic discharge.

EXCEPT TO THE EXTENT OF THE INDEMNITY SET FORTH ABOVE, NEITHER PARTY SHALL BE LIABLE TO THE OTHER FOR ANY INDIRECT, SPECIAL, INCIDENTAL, OR CONSEQUENTIAL DAMAGES.

TI currently deals with a variety of customers for products, and therefore our arrangement with the user **is not exclusive.**

TI assumes **no liability for applications assistance, customer product design, software performance, or infringement of patents or services described herein.**

Please read the User's Guide and, specifically, the Warnings and Restrictions notice in the User's Guide prior to handling the product. This notice contains important safety information about temperatures and voltages. For additional information on TI's environmental and/or safety programs, please contact the TI application engineer or visit www.ti.com/esh.

No license is granted under any patent right or other intellectual property right of TI covering or relating to any machine, process, or combination in which such TI products or services might be or are used.

FCC Warning

This evaluation board/kit is intended for use for **ENGINEERING DEVELOPMENT, DEMONSTRATION, OR EVALUATION PURPOSES ONLY** and is not considered by TI to be a finished end-product fit for general consumer use. It generates, uses, and can radiate radio frequency energy and has not been tested for compliance with the limits of computing devices pursuant to part 15 of FCC rules, which are designed to provide reasonable protection against radio frequency interference. Operation of this equipment in other environments may cause interference with radio communications, in which case the user at his own expense will be required to take whatever measures may be required to correct this interference.

EVM WARNINGS AND RESTRICTIONS

It is important to operate this EVM within the input voltage range of 4.5 V to 26 V and the output voltage range of 0 V to 4.2 V.

Exceeding the specified input range may cause unexpected operation and/or irreversible damage to the EVM. If there are questions concerning the input range, please contact a TI field representative prior to connecting the input power.

Applying loads outside of the specified output range may result in unintended operation and/or possible permanent damage to the EVM. Please consult the EVM User's Guide prior to connecting any load to the EVM output. If there is uncertainty as to the load specification, please contact a TI field representative.

During normal operation, some circuit components may have case temperatures greater than 70°C. The EVM is designed to operate properly with certain components above 125°C as long as the input and output ranges are maintained. These components include but are not limited to linear regulators, switching transistors, pass transistors, and current sense resistors. These types of devices can be identified using the EVM schematic located in the EVM User's Guide. When placing measurement probes near these devices during operation, please be aware that these devices may be very warm to the touch.

Mailing Address: Texas Instruments, Post Office Box 655303, Dallas, Texas 75265
Copyright © 2007, Texas Instruments Incorporated

IMPORTANT NOTICE

Texas Instruments Incorporated and its subsidiaries (TI) reserve the right to make corrections, modifications, enhancements, improvements, and other changes to its products and services at any time and to discontinue any product or service without notice. Customers should obtain the latest relevant information before placing orders and should verify that such information is current and complete. All products are sold subject to TI's terms and conditions of sale supplied at the time of order acknowledgment.

TI warrants performance of its hardware products to the specifications applicable at the time of sale in accordance with TI's standard warranty. Testing and other quality control techniques are used to the extent TI deems necessary to support this warranty. Except where mandated by government requirements, testing of all parameters of each product is not necessarily performed.

TI assumes no liability for applications assistance or customer product design. Customers are responsible for their products and applications using TI components. To minimize the risks associated with customer products and applications, customers should provide adequate design and operating safeguards.

TI does not warrant or represent that any license, either express or implied, is granted under any TI patent right, copyright, mask work right, or other TI intellectual property right relating to any combination, machine, or process in which TI products or services are used. Information published by TI regarding third-party products or services does not constitute a license from TI to use such products or services or a warranty or endorsement thereof. Use of such information may require a license from a third party under the patents or other intellectual property of the third party, or a license from TI under the patents or other intellectual property of TI.

Reproduction of TI information in TI data books or data sheets is permissible only if reproduction is without alteration and is accompanied by all associated warranties, conditions, limitations, and notices. Reproduction of this information with alteration is an unfair and deceptive business practice. TI is not responsible or liable for such altered documentation. Information of third parties may be subject to additional restrictions.

Resale of TI products or services with statements different from or beyond the parameters stated by TI for that product or service voids all express and any implied warranties for the associated TI product or service and is an unfair and deceptive business practice. TI is not responsible or liable for any such statements.

TI products are not authorized for use in safety-critical applications (such as life support) where a failure of the TI product would reasonably be expected to cause severe personal injury or death, unless officers of the parties have executed an agreement specifically governing such use. Buyers represent that they have all necessary expertise in the safety and regulatory ramifications of their applications, and acknowledge and agree that they are solely responsible for all legal, regulatory and safety-related requirements concerning their products and any use of TI products in such safety-critical applications, notwithstanding any applications-related information or support that may be provided by TI. Further, Buyers must fully indemnify TI and its representatives against any damages arising out of the use of TI products in such safety-critical applications.

TI products are neither designed nor intended for use in military/aerospace applications or environments unless the TI products are specifically designated by TI as military-grade or "enhanced plastic." Only products designated by TI as military-grade meet military specifications. Buyers acknowledge and agree that any such use of TI products which TI has not designated as military-grade is solely at the Buyer's risk, and that they are solely responsible for compliance with all legal and regulatory requirements in connection with such use.

TI products are neither designed nor intended for use in automotive applications or environments unless the specific TI products are designated by TI as compliant with ISO/TS 16949 requirements. Buyers acknowledge and agree that, if they use any non-designated products in automotive applications, TI will not be responsible for any failure to meet such requirements.

Following are URLs where you can obtain information on other Texas Instruments products and application solutions:

Products

Amplifiers	amplifier.ti.com
Data Converters	dataconverter.ti.com
DSP	dsp.ti.com
Interface	interface.ti.com
Logic	logic.ti.com
Power Mgmt	power.ti.com
Microcontrollers	microcontroller.ti.com
RFID	www.ti-rfid.com
Low Power Wireless	www.ti.com/lpw

Applications

Audio	www.ti.com/audio
Automotive	www.ti.com/automotive
Broadband	www.ti.com/broadband
Digital Control	www.ti.com/digitalcontrol
Military	www.ti.com/military
Optical Networking	www.ti.com/opticalnetwork
Security	www.ti.com/security
Telephony	www.ti.com/telephony
Video & Imaging	www.ti.com/video
Wireless	www.ti.com/wireless

Mailing Address: Texas Instruments, Post Office Box 655303, Dallas, Texas 75265
Copyright © 2007, Texas Instruments Incorporated