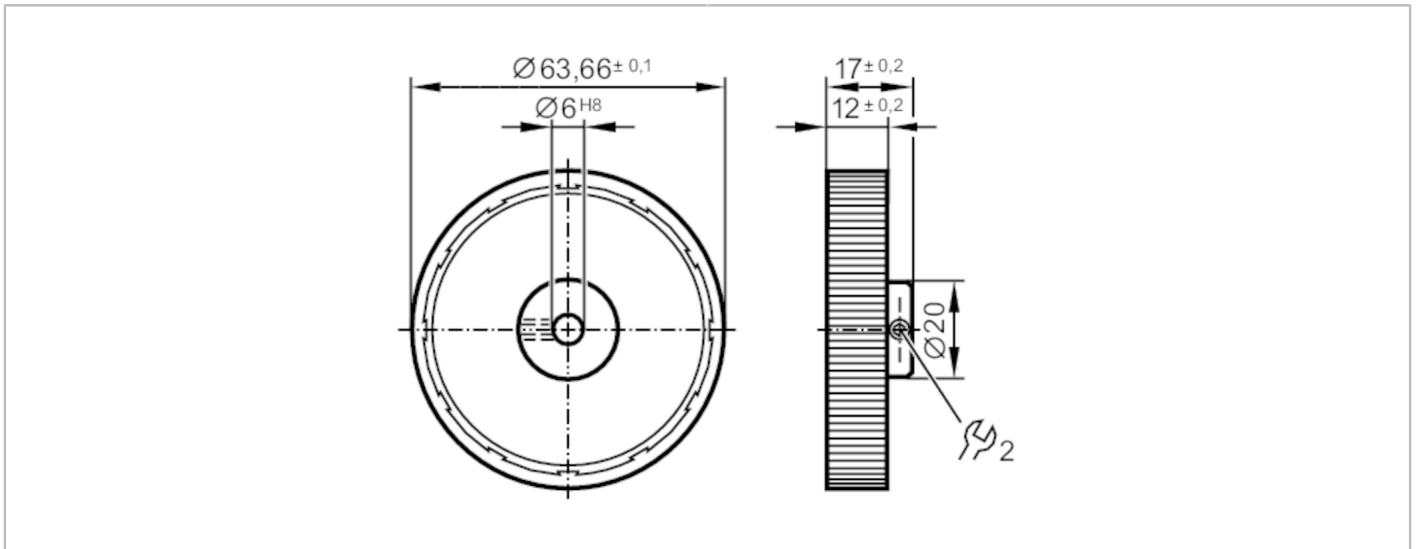


# E60137



## Measuring wheel

MEASURING WHEEL U:200 N:06



### Application

Design: grooved plastic

### Operating conditions

Ambient temperature [°C]: -30...80

### Mechanical data

Weight [g]: 64.5

Inside diameter [mm]: 6

External diameter [mm]: 63.66

Materials: wheel: aluminium; surface characteristics: PU

Surface hardness: 90 Shore A

Circumference [mm]: 200

### Remarks

Pack quantity: 1 pcs.