

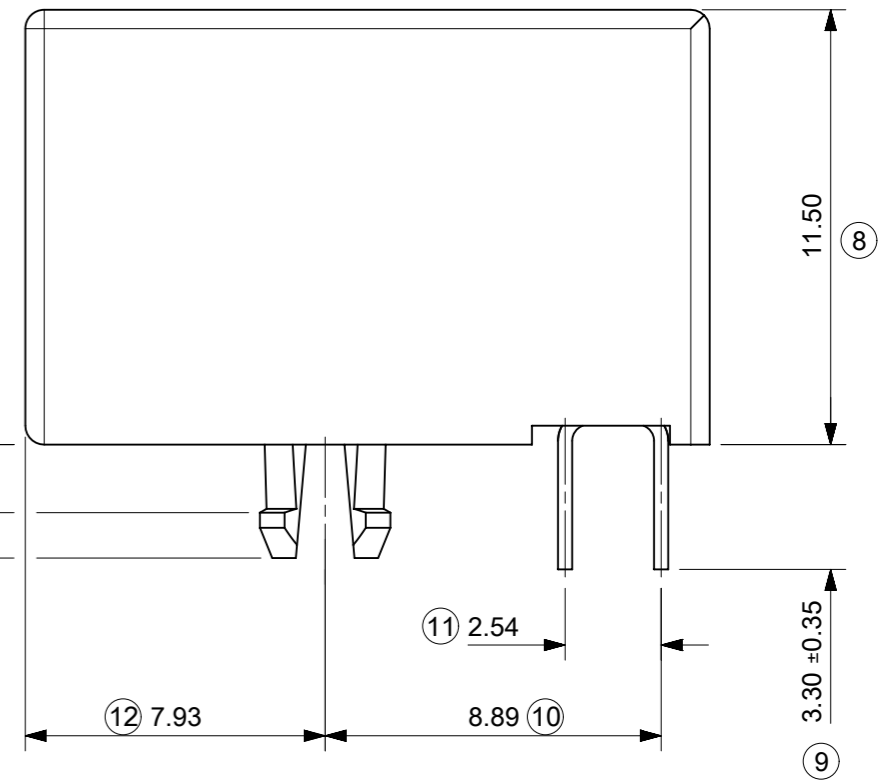
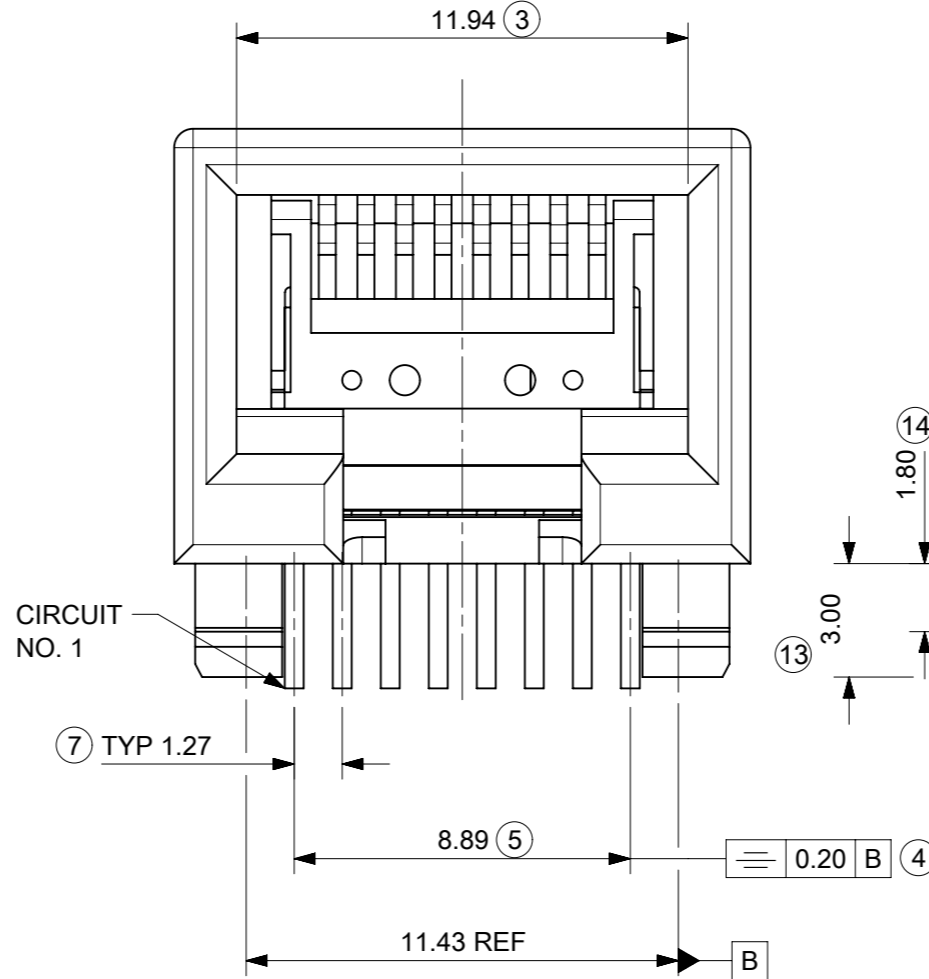
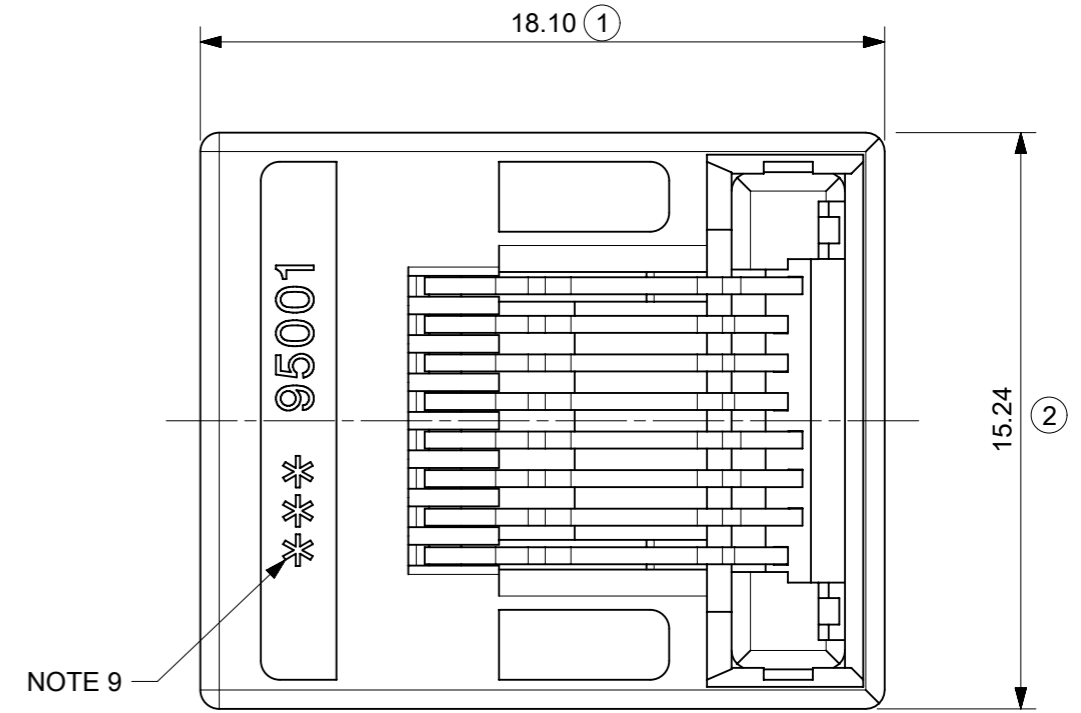
NOTES:

1. **MATERIAL:**
 HOUSING: LCP FIBER GLASS FILLED UL 94-V0, COLOUR: BLACK
 TERMINAL: PHOSPHOR BRONZE.
 BASE FINISH: NICKEL
 CONTACT SURFACE FINISH:
 GOLD
 OR
 GOLD FLASH OVER PALLADIUM NICKEL.
 EXCEEDS PRODUCT REQUIREMENTS BASED ON PS-85503-001

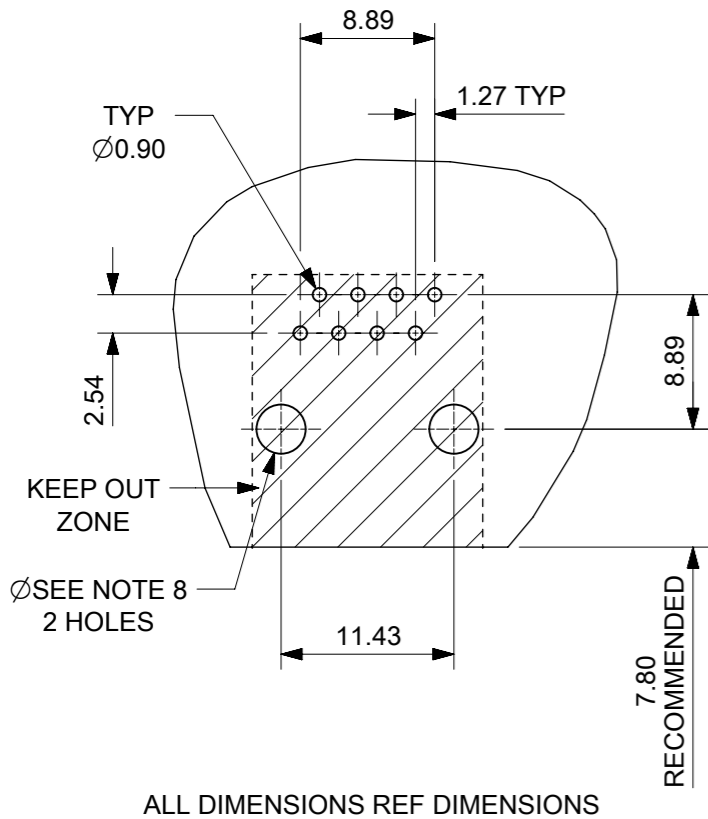
2. JACK FOR MATING WITH F.C.C. 68 PLUGS (90075 MOLEX SERIES).
 3. PRODUCT SPECIFICATION: PS-85503-001.
 4. APPLICATION SPECIFICATION AS-85513-001
 5. PACKAGING SPECIFICATION: PK-95001: STANDARD PACKAGING SHEET 1.
 6. EXCEEDS CATEGORY 5E PERFORMANCE.
 7. P.C. BOARD THICKNESS: 1.57
 8. CONVECTION SOLDERING DIA 3.25±0.05.
 WAVE SOLDERING DIA 3.2±0.1
 9. MANUFACTURING I.D. CAN BE EITHER MXF MG MXI OR MXCH.

LAST INSPECTION NO.: 14
 REMOVED INSPECTION NO.: 6

MATERIAL NO.
85503-5001



**P.C.B. MOUNTING PATTERNS
 (SEE FROM COMPONENT SIDE)
 (SCALE 2:1)**



ALL DIMENSIONS REF DIMENSIONS

THIS DRAWING CONTAINS INFORMATION THAT IS PROPRIETARY TO MOLEX ELECTRONIC TECHNOLOGIES, LLC AND SHOULD NOT BE USED WITHOUT WRITTEN PERMISSION		CURRENT REV DESC:		molex	
DIMENSION UNITS	SCALE	EC NO: 686812			
mm	5:1	DRWN: DBYRNES 2021/11/10		PRODUCT CUSTOMER DRAWING	
GENERAL TOLERANCES (UNLESS SPECIFIED)		3 PLACES ±		DOCUMENT NUMBER	
ANGULAR TOL ± 0.5°		APP: KLANG 2022/01/11		SD-85503-101	
4 PLACES ±		INITIAL REVISION:		DOC TYPE DOC PART REVISION	
3 PLACES ±		DRWN: TMARTIN 2005/03/22		PSD 001 C2	
2 PLACES ± 0.15		APP: KNOLLER 2005/04/04		MATERIAL NUMBER CUSTOMER	
1 PLACE ± 0.25		DRAFT WHERE APPLICABLE MUST REMAIN WITHIN DIMENSIONS		SEE TABLE GENERAL MARKET	
0 PLACES ±		THIRD ANGLE PROJECTION		SHEET NUMBER	
		DRAWING SERIES		1 OF 1	
		A3-SIZE 85503			