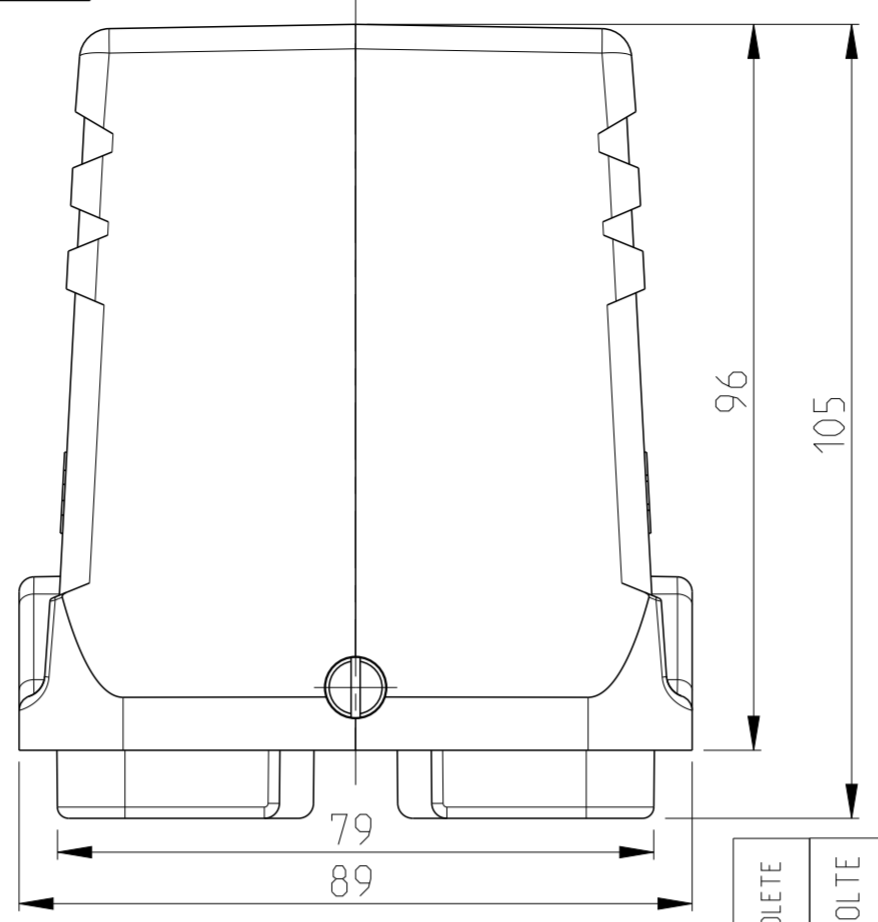
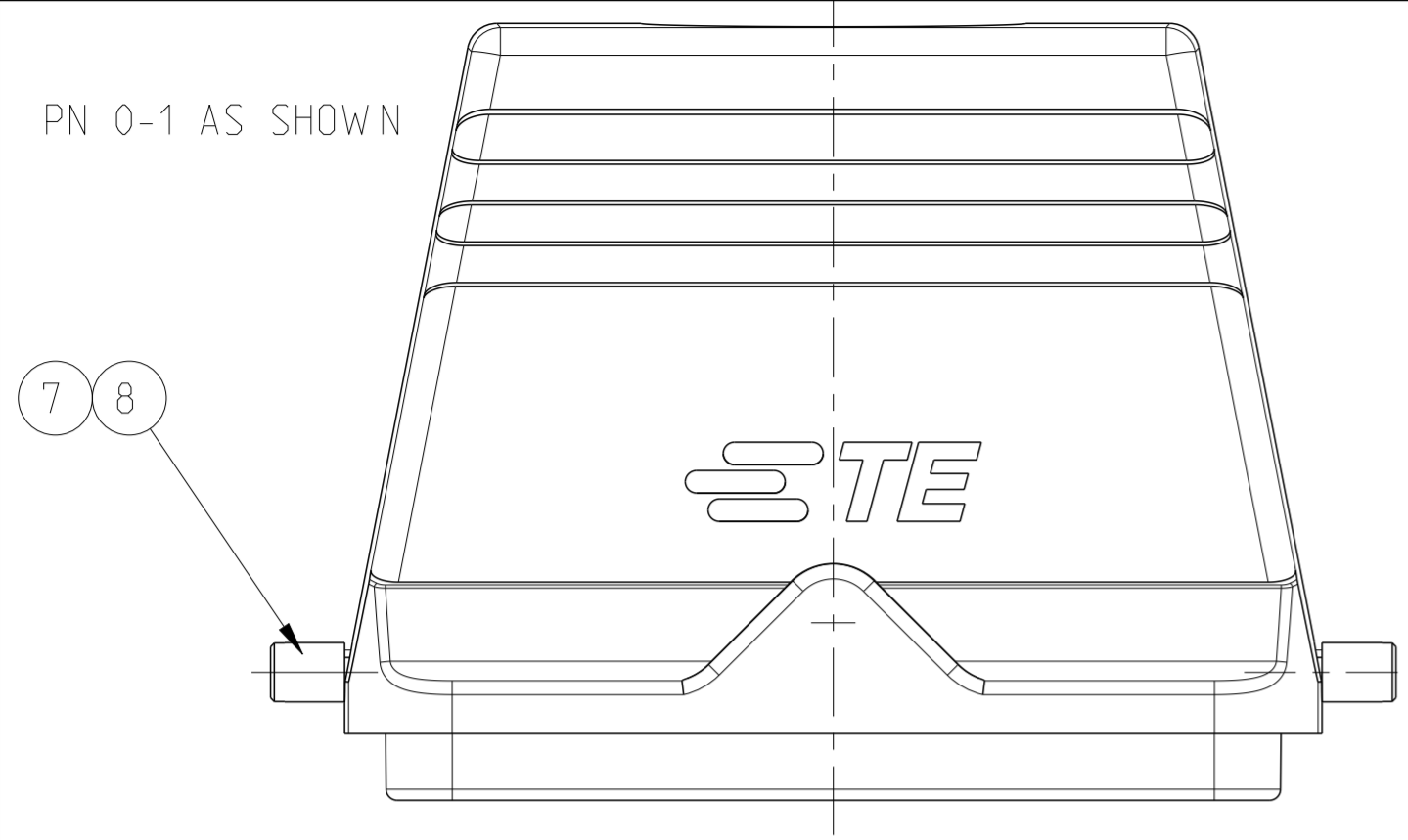


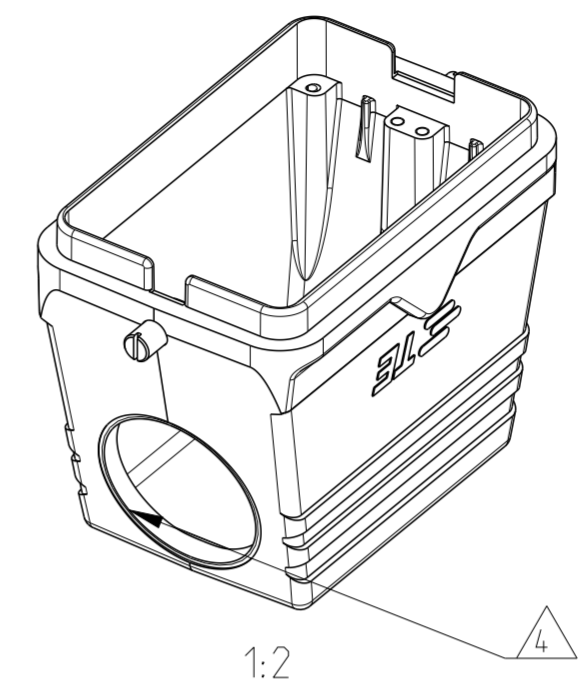
THIS DRAWING IS UNPUBLISHED. RELEASED FOR PUBLICATION 2006
 © COPYRIGHT 2006 BY - ALL RIGHTS RESERVED.

REVISIONS					
P	LTR	DESCRIPTION	DATE	DWN	APVD
B6		REVISED PER ECR-17-014013	12FEB2018	SRG	MKO
B7		REVISED PER ECR-21-123577	25JUL2022	RK	JB

PN 0-1 AS SHOWN

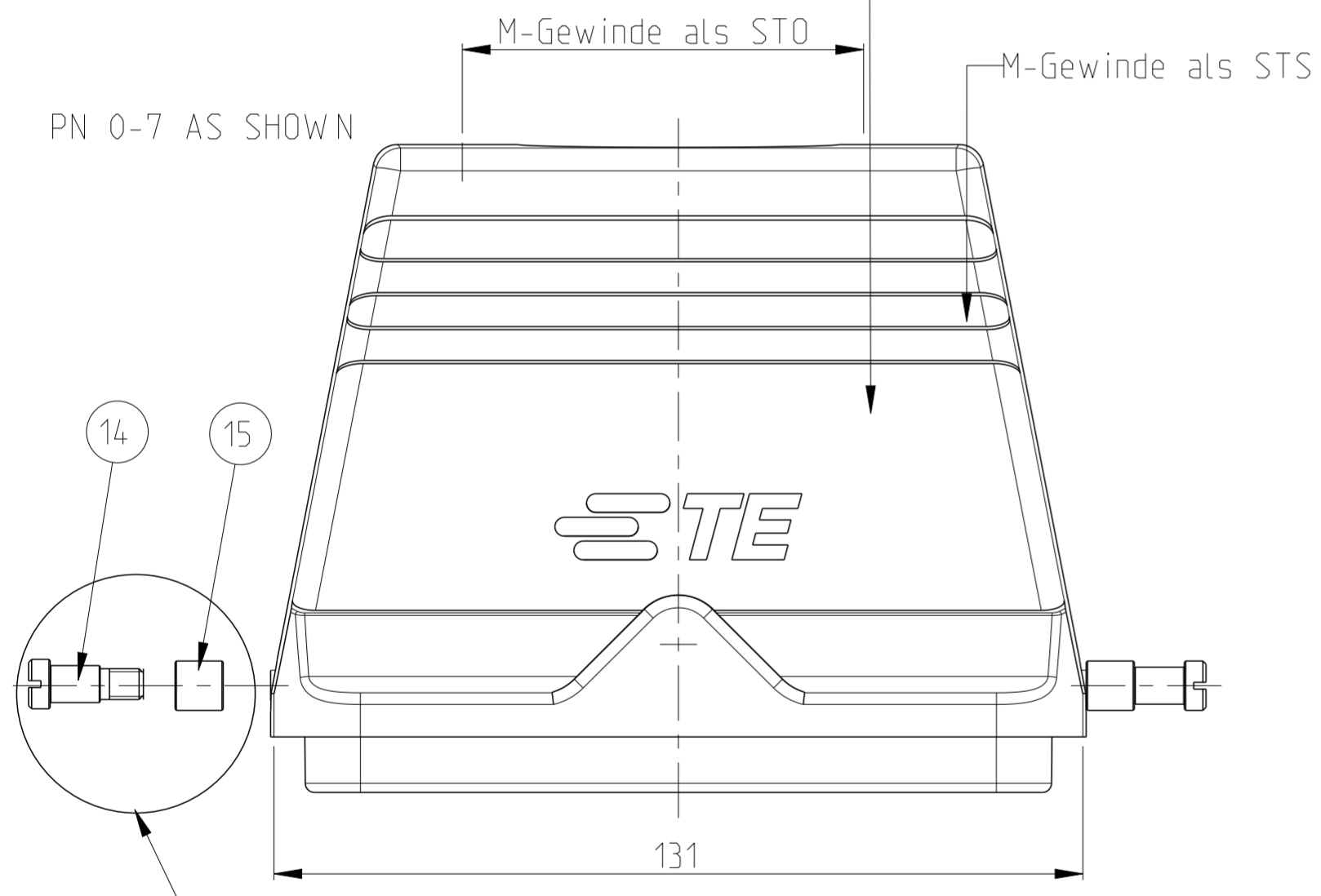


PN 1-2



- 1
- 2
- 3
- 4
- 5
- 6
- 9
- 10
- 11
- 12
- 13

PN 0-7 AS SHOWN



QTY	DESCRIPTION	MATERIAL	SURFACE	COLOR	ITEM	NOTES
1	HOOD-HB-K	ALUMINIUM	ALUMINIUM OXID	BLACK	16	SMALL CODING NUT
2	SLIDE SPOOL - ST ÄUBLI	BRASS	BLANC		15	
2	CLIP BOLT	STAINLESS STEEL	BLANC		14	
1	HOOD-HB	ALUMINIUM		GREY	13	
1	HOOD-HB	ALUMINIUM		GREY	12	WITHOUT HTS-LOGO
1	HOOD-HB	ALUMINIUM		GREY	11	WITHOUT HTS-LOGO
1	HOOD-HB	ALUMINIUM		GREY	10	WITHOUT HTS-LOGO
1	HOOD-HB	ALUMINIUM		GREY	9	WITHOUT HTS-LOGO
2	CLIP BOLT	STAINLESS STEEL	BLANC		8	
2	CLIP BOLT	STEEL	ZINK PLATED	BLUE	7	
1	HOOD-HB-K	ALUMINIUM	ALUMINIUM OXID	BLACK	6	
1	HOOD-HB	ALUMINIUM		GREY	5	
1	HOOD-HB-K	ALUMINIUM	ALUMINIUM OXID	BLACK	4	
1	HOOD-HB-K	ALUMINIUM	ALUMINIUM OXID	BLACK	3	
1	HOOD-HB	ALUMINIUM		GREY	2	
1	HOOD-HB	ALUMINIUM		GREY	1	
1-2	DESCRIPTION	MATERIAL	SURFACE	COLOR	ITEM	NOTES
	HB.48.STO-GR.1.M50.G					
	HB.48.STS-GR.1.M50.G					
	HB-K.48.STO-GR.1.M63.G					
	HB-K.48.STS-GR.1.M50.G					
	HB.48.STS-GR.1.M40.G					
	HB-K.48.STO-GR.1.M50.G					
	HB.48.STO-GR.1.M50.G					
	HB.48.STS-GR.1.M50.G					
	HB.48.ST-GR					
	HB.48.STO-GR.1.M40.G					
	HB.48.STO-GR.2.M25.G					
	HB-K.48.STS-GR.1.M50.G-Code					

NOTES

- 1 PART SHALL BE FREE AND CLEAN OF BURRS AND OTHER FOREIGN MATERIAL
- 2 PACKAGING: QUANTITY 3 PIECES
- 3 VARNISHING INSIDE HOUSING NOT REQUIRED
- 4 GLAND FITTING THREAD IS ORIENTATED TO THE SMALLER POLARIZATION NOTCH
- 5 OBSOLETE

THIS DRAWING IS A CONTROLLED DOCUMENT.

DWN: R. SCHNEIDER 27 JAN 2009
 CHK: T. SCHNURPEIL 27 JAN 2009
 APVD: -

STE TE Connectivity

NAME: HOOD HB.48.STO-GR.1.M50.G

SIZE: A2 CAGE CODE: 100779 DRAWING NO: C-1106482 RESTRICTED TO: 1 OF 1 REV: B7

SCALE: 1:1 SHEET: 1 OF 1

CUSTOMER DRAWING