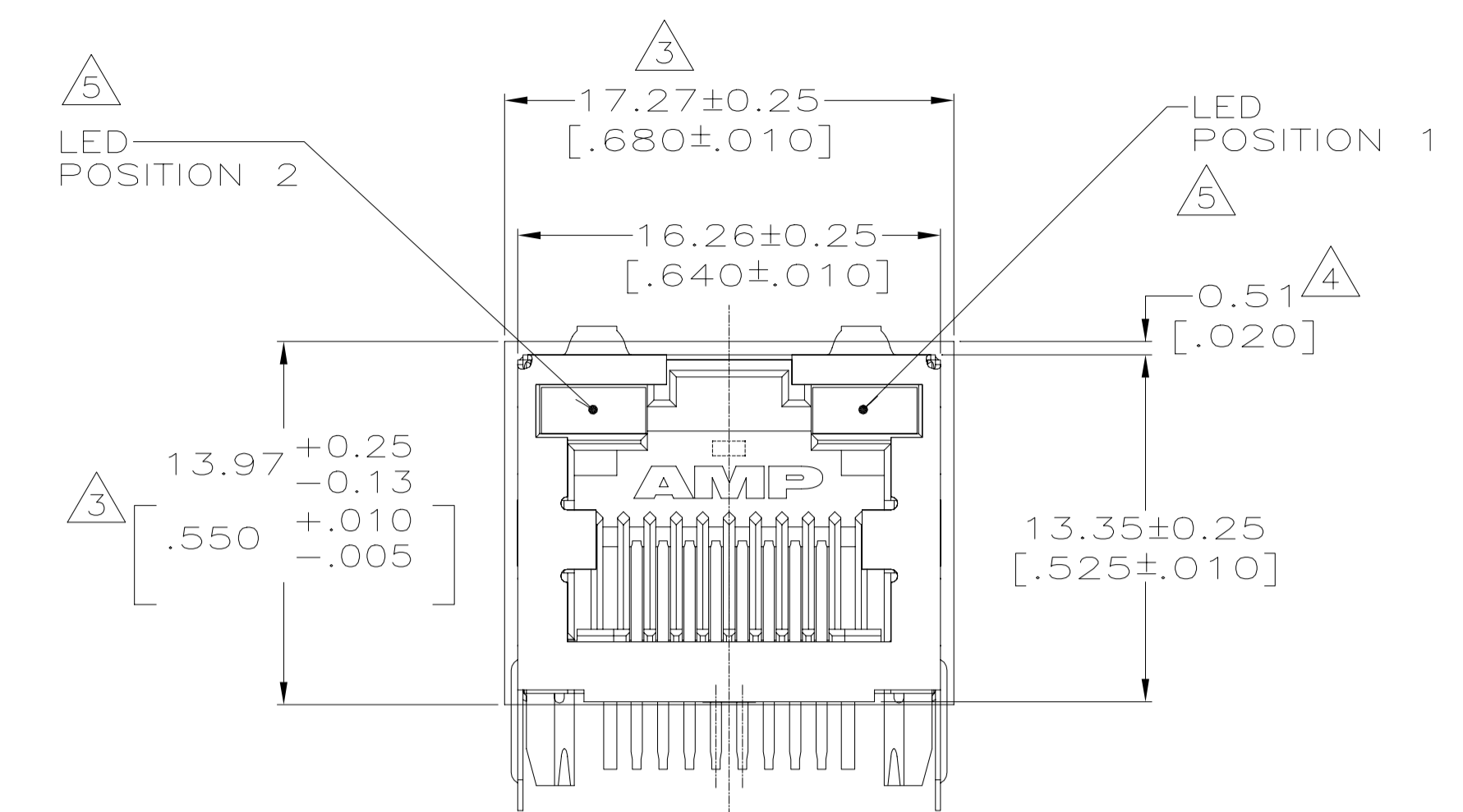
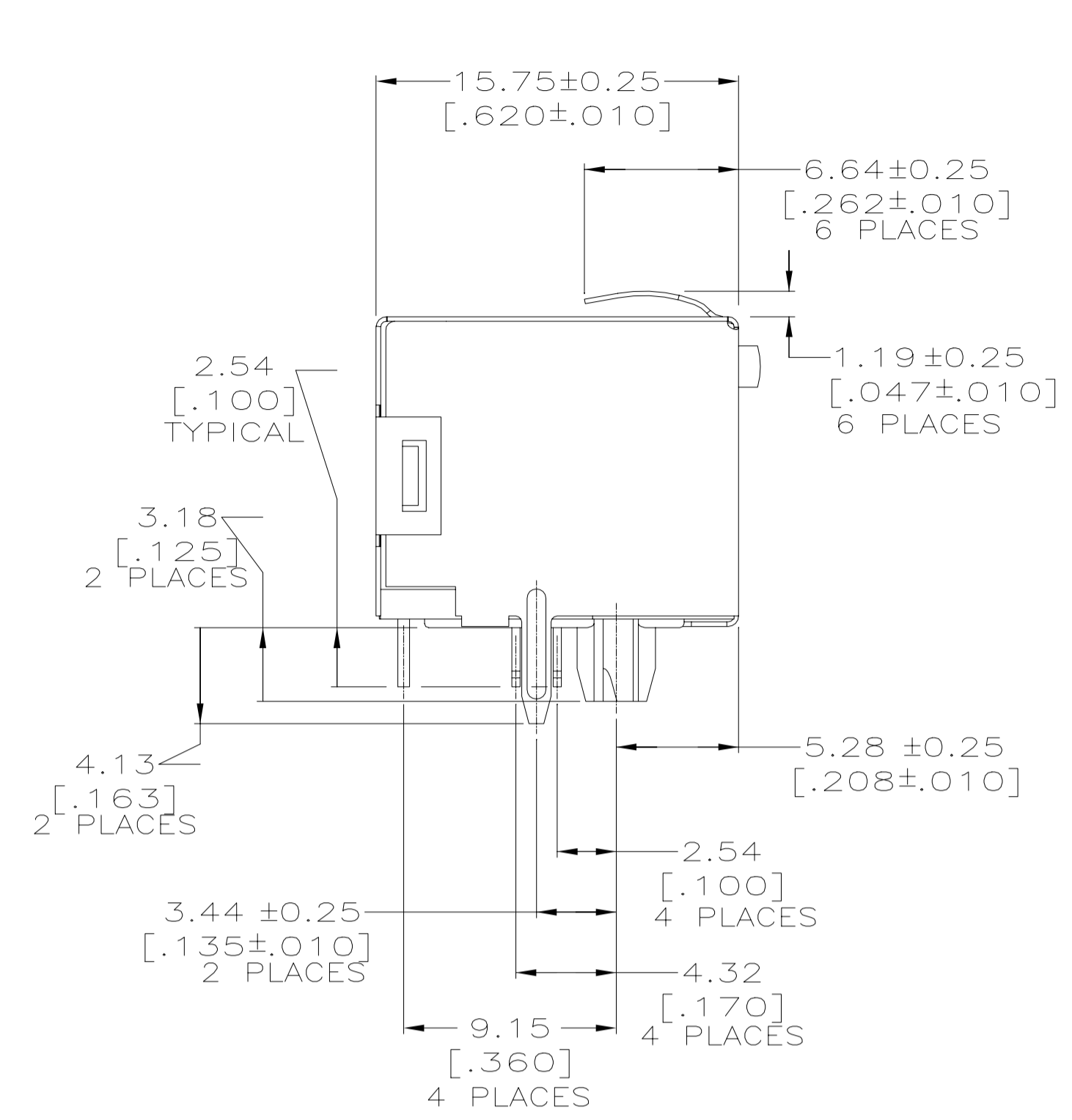
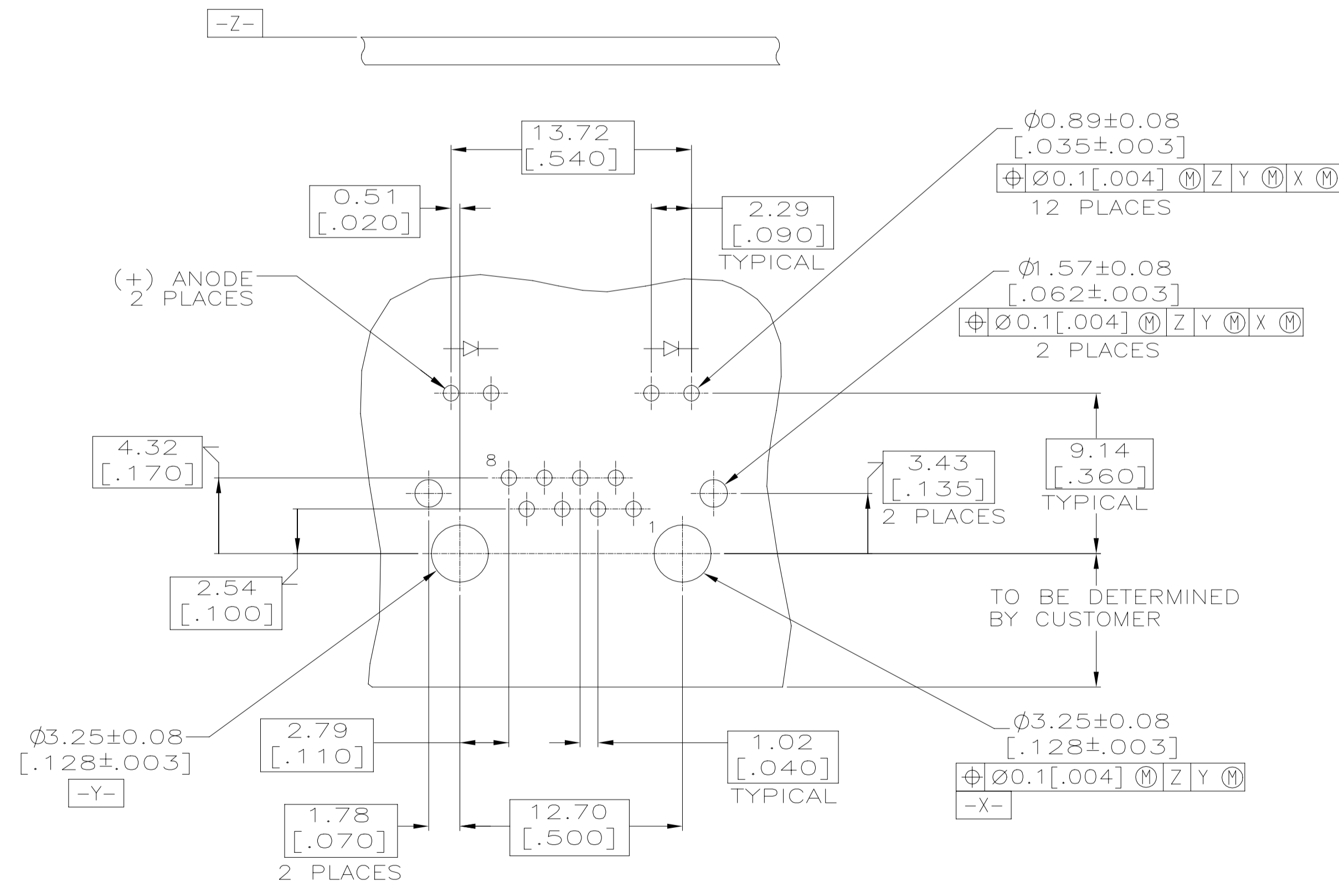


REVISIONS					
P	LR	DESCRIPTION	DATE	DRN	APVD
B		REVISED PER ECO-19-019621	31JAN2020	VM	SH



- ① MATERIAL: HOUSING – HIGH TEMPERATURE NYLON, HEAT DEFLECTION TEMPERATURE RATING 278° C [532° F] AT 1.8MPA [264 PSI], BLACK, UL94V-0. TERMINALS – 0.36[.014] THICK PHOS BRONZE PLATED WITH 3.81µm[.000150] MINIMUM THICK TIN IN SOLDER AREA, 1.27µm [.000050] MINIMUM GOLD IN LOCALIZED PLATE AREA. ENTIRE TERMINAL PLATED WITH 1.27µm [.000050] MINIMUM THICK NICKEL. SHIELD – 0.196[.0077] THICK COPPER ZINC ALLOY PREPLATED WITH 1.27µm[.000050] MINIMUM SATIN NICKEL WITH 2.03µm[.000080] MINIMUM SnAgCu POST DIPPED ON PCB GROUND TABS. LIGHT EMITTING DIODE (LED) – DIFFUSED EPOXY LENS, 0.51 x 0.51[.020 x .020] CARBON STEEL WIREFRAME LEADS PREPLATED WITH 2.29µm[.000090] SILVER OVER 1.02µm[.000040] NICKEL UNDERPLATE OVER 2.03µm[.000080] COPPER UNDERPLATE. POST-PLATED WITH 6.35µm [.000250] MINIMUM TIN. LEADS NOT DESIGNED FOR SOLDERING.
- ② JACK CAVITY CONFORMS TO FCC RULES AND REGULATIONS PART 68, SUBPART F.
- ③ SUGGESTED PANEL OPENING DIMENSIONS.
- ④ SUGGESTED CLEARANCE BETWEEN TOP OF CONNECTOR AND TOP PANEL OPENING.
- ⑤ SEE TABLE FOR COLOR OF LEADS AND NUMBER REQUIRED.
- ⑥ TRAY PACKAGED.
- ⑦ TYPE&REEL PACKAGED PER EIA 481 REV D.



SUGGESTED PRINTED CIRCUIT BOARD LAYOUT (COMPONENT SIDE)

OBSOLETE	①	GREEN	YELLOW	6116615-6
	②	GREEN	GREEN	6116615-5
	③	GREEN	YELLOW	6116615-4
	PACKAGE	POSITION 2	POSITION 1	PART NUMBER
		INDICATOR COLOR		
THIS DRAWING IS A CONTROLLED DOCUMENT.				
DIMENSIONS:		DWN B KUHNLY 140CT2004		
TOLERANCES UNLESS OTHERWISE SPECIFIED:		DRN B KUHNLY 140CT2004		
0 PLC ± -	APVD S FLICKINGER 140CT2004			
1 PLC ± -	NAME			
2 PLC ± 0.25[.01]	108-1163-4			
3 PLC ± 0.13[.005]	APPLICATION SPEC			
4 PLC ± -	114-2154			
ANGLES ± -	SIZE CAGE CODE DRAWING NO RESTRICTED TO			
MATERIAL	FINISH	WEIGHT	A1 00779 C=6116615	—
①	②	CUSTOMER DRAWING	SCALE 4:1	SHEET 1 OF 1 REV B