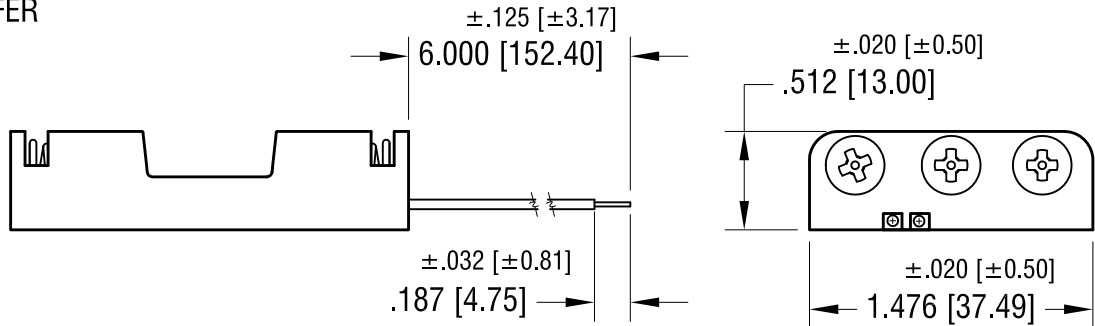
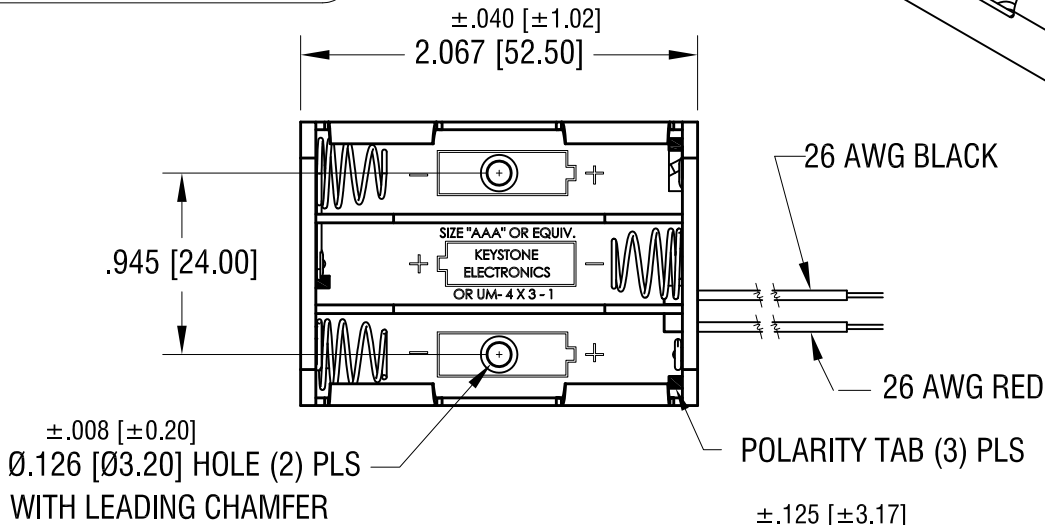
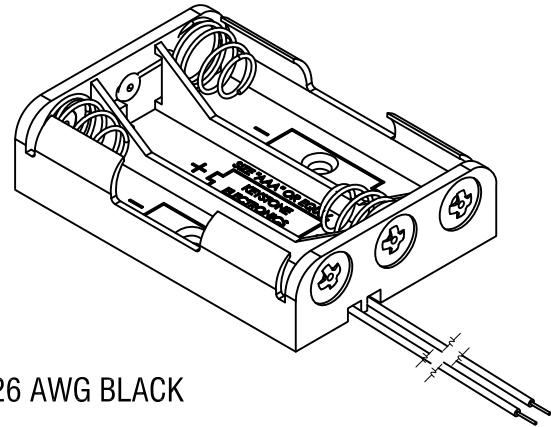
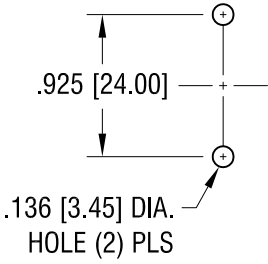


THIS DOCUMENT IS THE PROPERTY OF KEYSTONE ELECTRONICS CORP. AND SHALL NOT BE REPRODUCED, DISTRIBUTED OR USED AS A BASIS FOR MANUFACTURE WITHOUT PRIOR WRITTEN PERMISSION FROM KEYSTONE ELECTRONICS CORP.

**ACTUAL SIZE**

**MOUNTING DETAIL**



**NOTE:**

1. HOLDER: MAT'L: POLYPROPYLENE
2. SPRING: MAT'L: MUSIC WIRE, .024 [0.60] DIA. FINISH- NICKEL PLATE
3. #26 AWG WIRE, STRIPPED & PRETINNEDED ENDS UL/CSA 1007

DATE	DESCRIPTION	REV.
12.16.21	CHANGE AS PER ECN 21-185	E
6.12.09	CHANGE AS PER ECN 09-068	D
9.13.08	CHANGE AS PER ECN 08-153	C
12.17.07	CHANGE AS PER ECN 07-088	B
11.15.99	CHANGE AS PER ECN 99-088	A

<b>KEYSTONE ELECTRONICS CORP.</b>			
www.keyelco.com • NEW HYDE PARK NY 11040 • Tel (516)328-7500			
PART NAME		PC BATTERY HOLDER (3) 'AAA'	
MATERIAL		AS NOTED	
FINISH		DRN BY	DATE
AS NOTED		BOONE	6.09.99
		APP'D	SCALE
		RH	1X
TOLERANCES	INCH [MM]	CODE	DWG NO.
DECIMAL	±.010 [±0.25]	C	2480
ANGULAR	± 1°		
UNLESS OTHERWISE SPECIFIED			