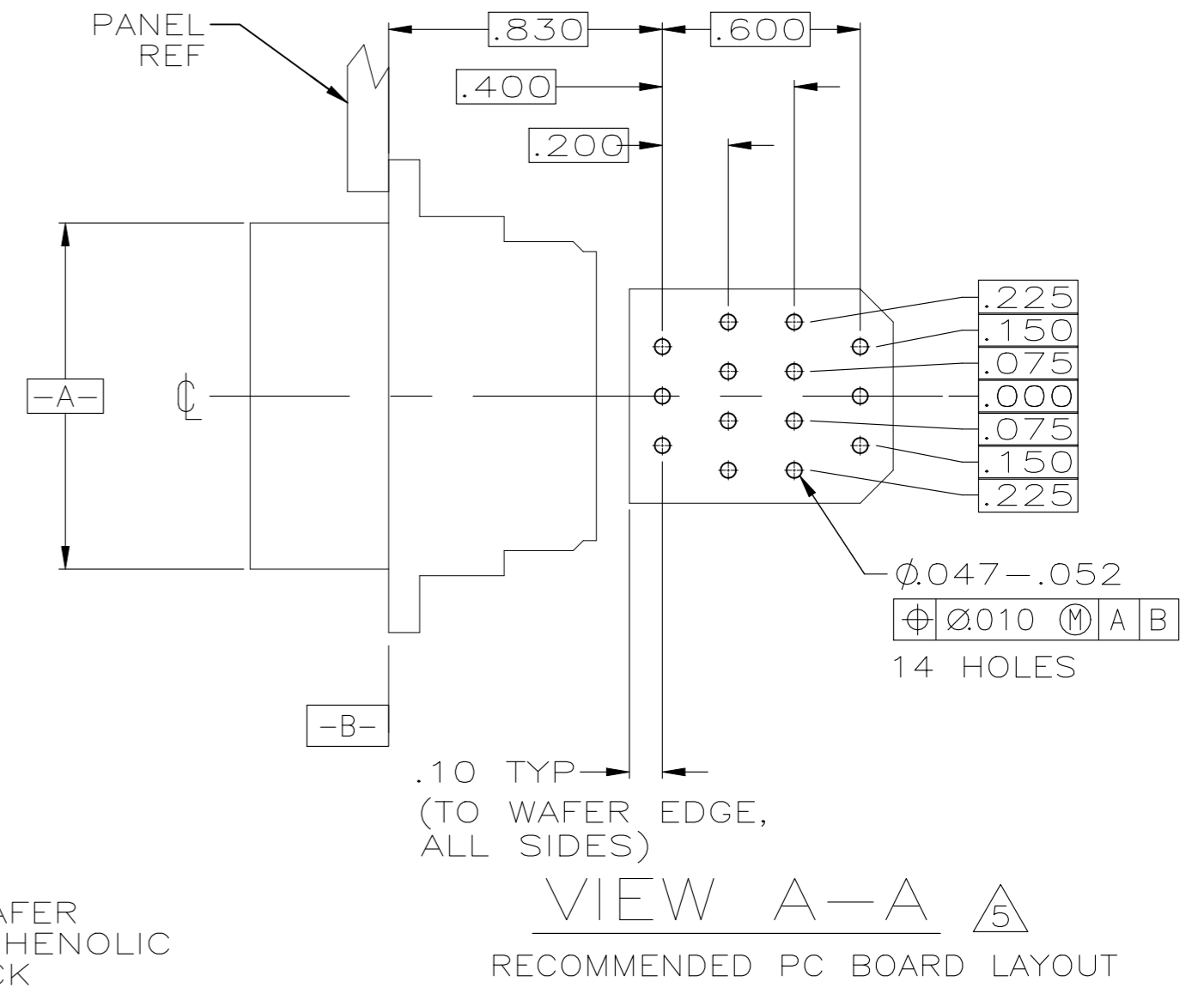
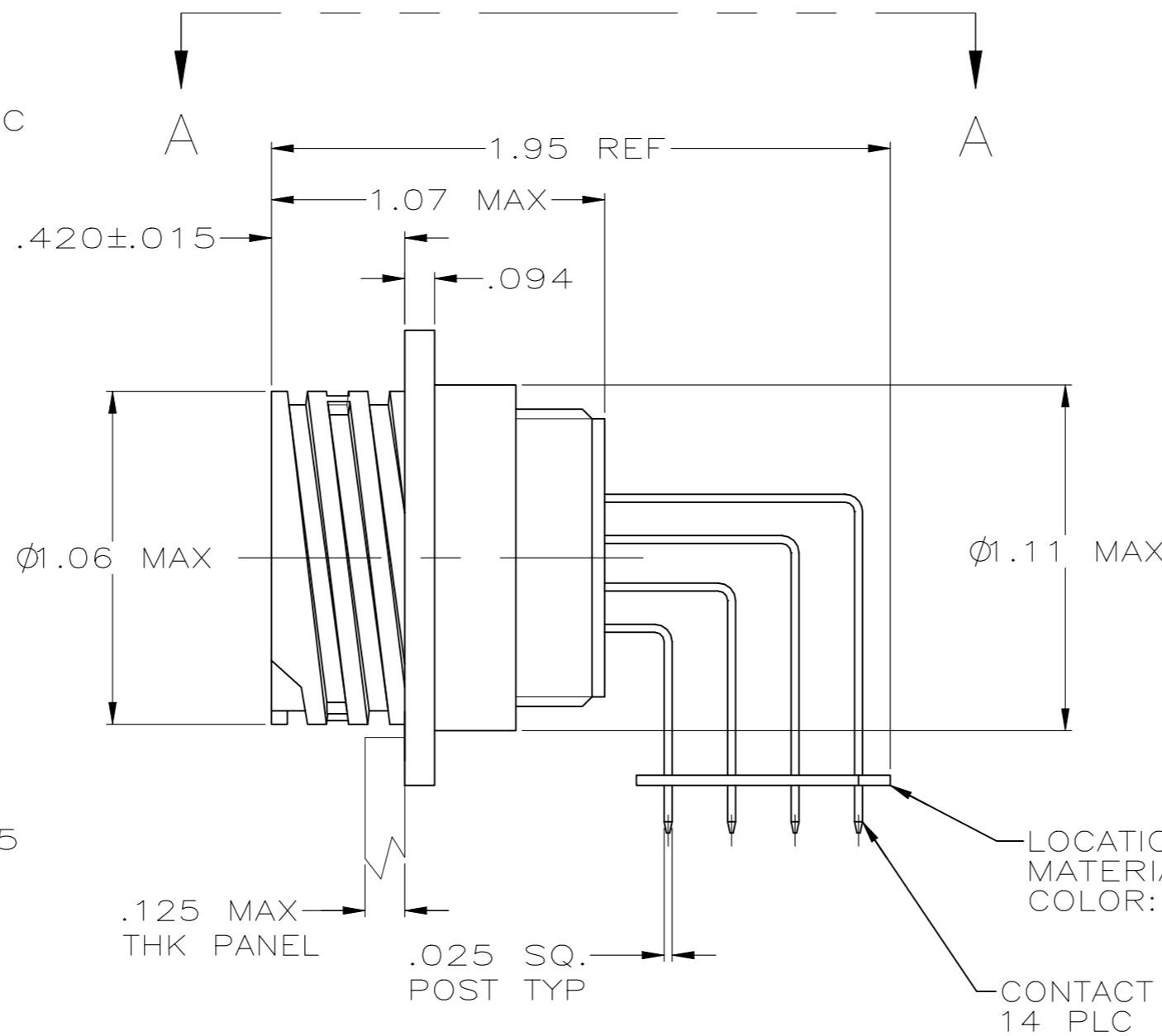
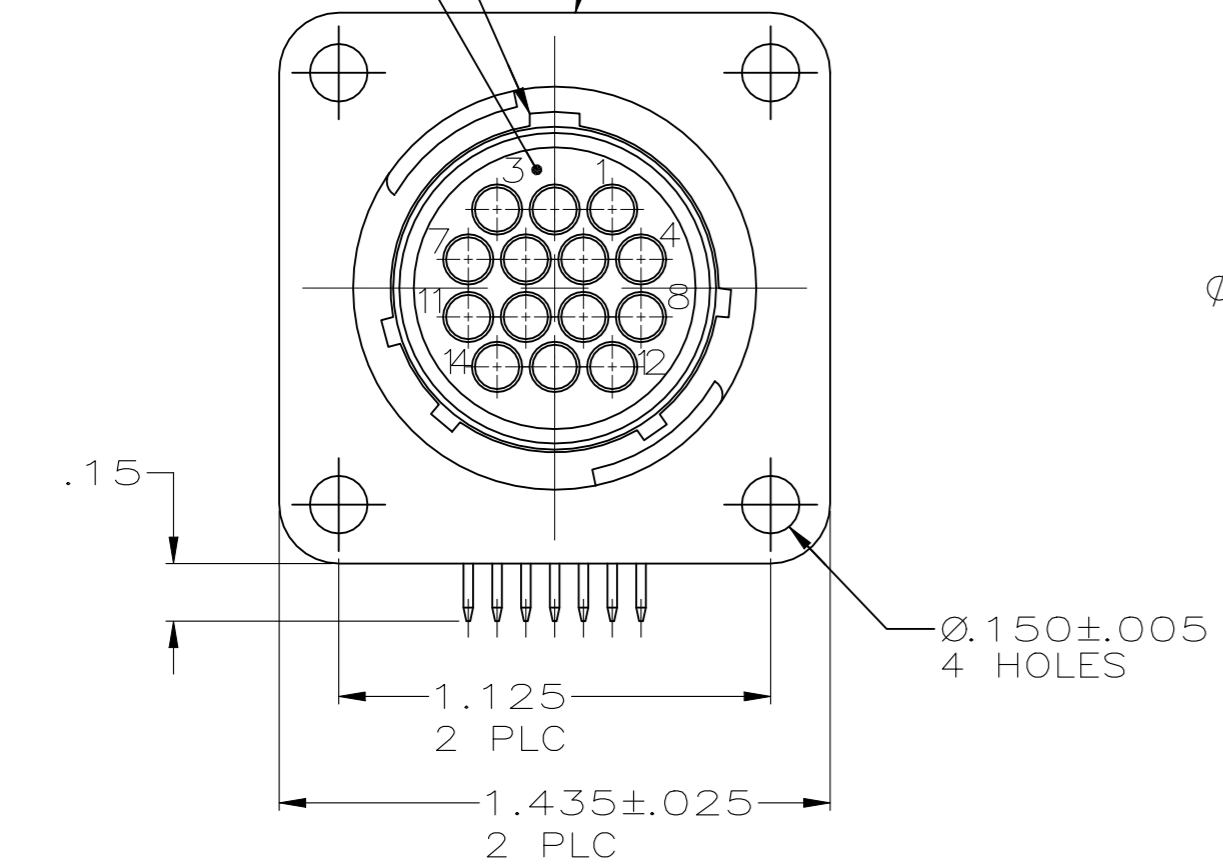
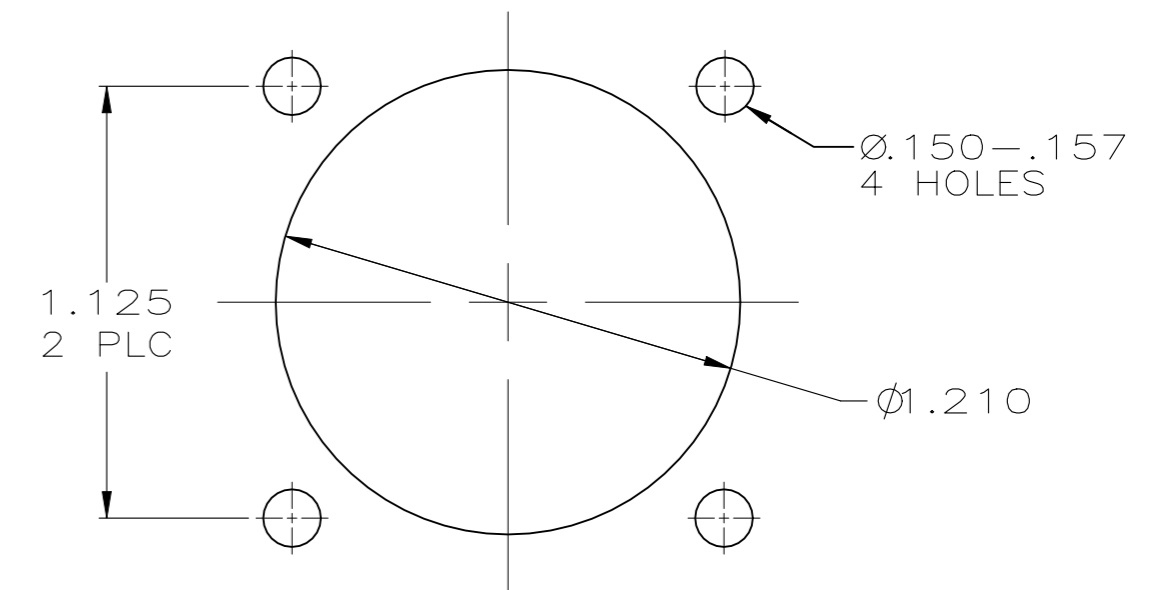


REVISIONS					
P	LTR	DESCRIPTION	DATE	DWN	APVD
D1		REVISE PER ECR-22-144105	29JUN2022	RK	MZ

MAJOR KEY
MATING FACE
RECEPTACLE
MATL: THERMOPLASTIC
COLOR: BLACK



VIEW A-A
RECOMMENDED PC BOARD LAYOUT



RECOMMENDED
PANEL CUTOUT

- CONTACT CAVITIES IDENTIFIED BY CHARACTERS ON FRONT AND REAR FACES OF CONNECTOR.
- #6 FASTENER RECOMMENDED FOR MOUNTING.
- CONTACT BODY: .000100 MIN TIN-LEAD OVER .000050 MIN NICKEL.
CONTACT POST: .000100 MIN TIN-LEAD OVER .000100 MIN COPPER.
- CONTACT BODY: .000030 MIN GOLD FOR A LENGTH OF .200 MIN FROM MATING END, WITH REMAINDER TO BE GOLD FLASH, BOTH OVER .000050 MIN NICKEL.
CONTACT POST: .000100 MIN TIN-LEAD OVER .000100 MIN COPPER.
- PC BOARD HOLE PATTERN IS DEFINED RELATIVE TO CONNECTOR & AND PANEL MOUNTING FACE INDICATED.
- CONTACT BODY: .000030 MIN GOLD FOR A LENGTH OF .200 MIN FROM MATING END, WITH REMAINDER TO BE GOLD FLASH, BOTH OVER .000050 NICKEL.
CONTACT POST: .000100 MIN TIN OVER .000100 MIN COPPER.
- CONTACT BODY: .000100 MIN TIN OVER .000050 MIN NICKEL.
CONTACT POST: .000100 MIN TIN OVER .000050 MIN NICKEL.

THIS DRAWING IS A CONTROLLED DOCUMENT.		DWN	3-10-00		
		CHK	3-21-00		
		APVD	3-21-00		
		PRODUCT SPEC			
DIMENSIONS: INCHES		TOLERANCES UNLESS OTHERWISE SPECIFIED:		NAME	
		0 PLC ± - 1 PLC ± - 2 PLC ± .03 3 PLC ± .010 4 PLC ± - ANGLES ± -		RECEPTACLE ASSY, POSTED, RT ANGLE, RVS SEX, SIZE 17-14, SERIES 1, CPC	
MATERIAL		FINISH		SIZE CAGE CODE DRAWING NO RESTRICTED TO	
				A2 00779 C=796348 -	
		CUSTOMER DRAWING		SCALE 2/1 SHEET 1 OF 1 REV D1	