

6 5 4 3 2 1

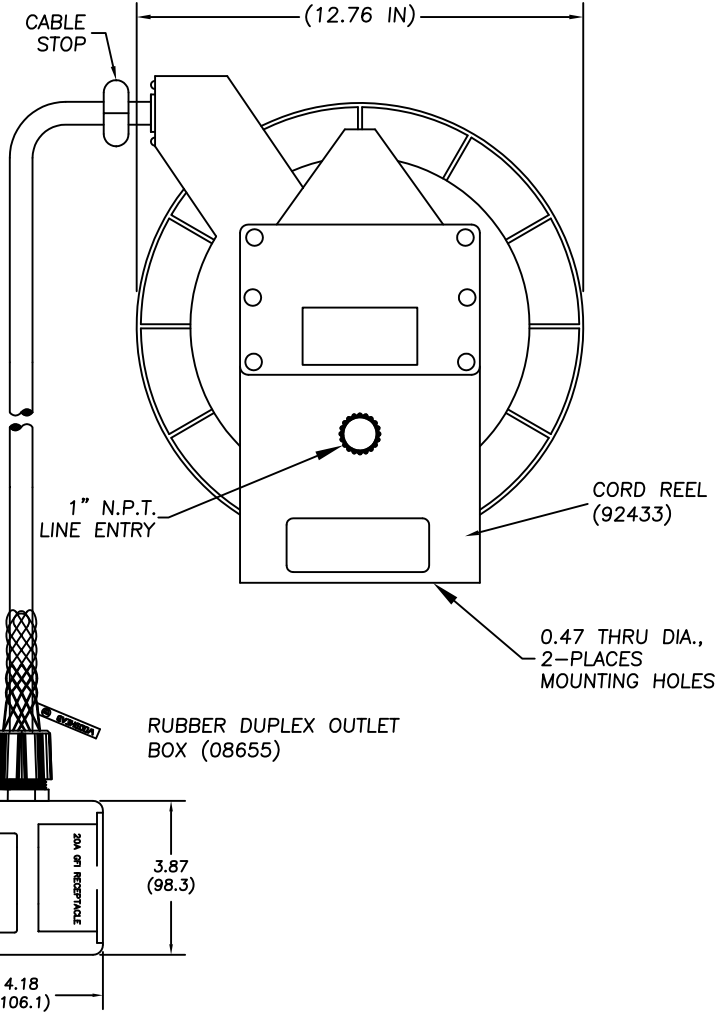
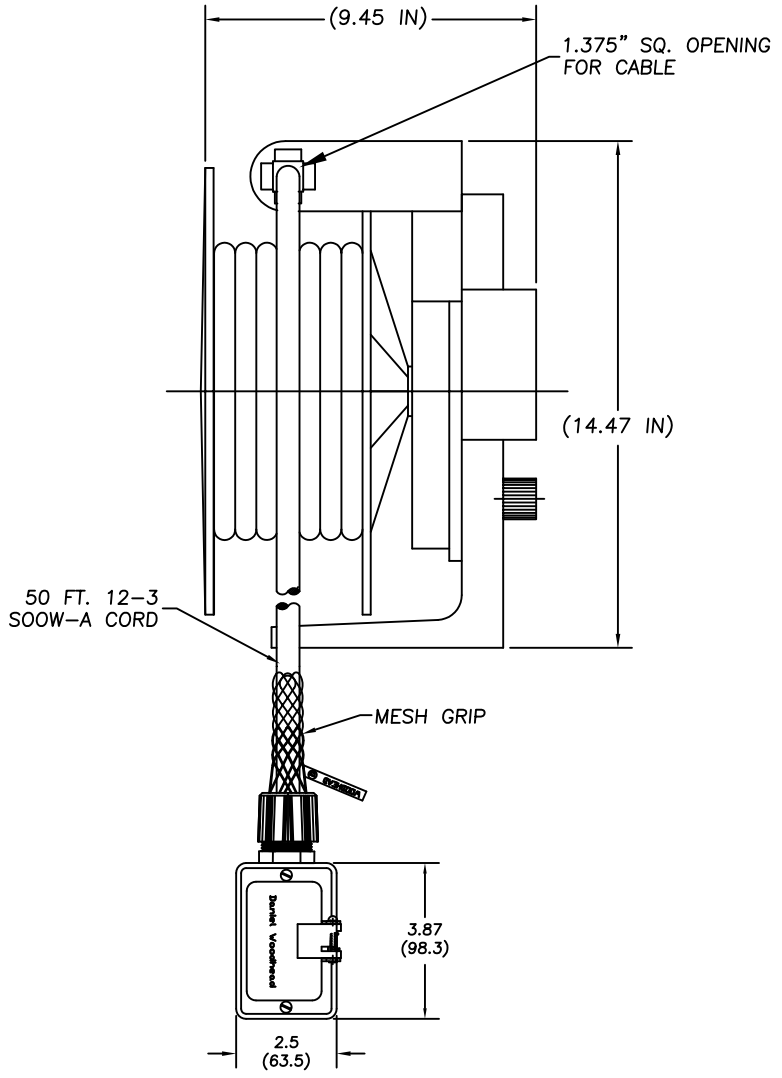
E

D

C

B

A



E

D

C

B

A

RELEASE DRAWING EC NO: WNA2010-0354 DRWN: TVICKERS 2009/12/28 CHKD: HK APPR: DTTITUS 2010/04/28	REV DESCRIPTION A	QUALITY SYMBOLS ▽=0 ▽C=0	GENERAL TOLERANCES (UNLESS SPECIFIED)		DIMENSION STYLE INCH(MM)		SCALE NTS	DESIGN UNITS INCH	THIRD ANGLE PROJECTION		
		4 PLACES ±--- ±---		DRAWN BY DATE		TITLE		92433 CABLE REEL W/3080-GFI20 BOX & MESH GRIP			
		3 PLACES ±--- ±.005		CHECKED BY DATE		HK 2010/01/29					
		2 PLACES ±0.13 ±.010		APPROVED BY DATE		DTTITUS 2010/04/27		MOLEX INCORPORATED		SHEET NO. 1 OF 1	
		1 PLACE ±0.25 ±.020		MATERIAL NO. 1300830888		DOCUMENT NO. SD-130083-017					
ANGULAR ±.5°		DRAFT WHERE APPLICABLE MUST REMAIN WITHIN DIMENSIONS		SIZE A		THIS DRAWING CONTAINS INFORMATION THAT IS PROPRIETARY TO MOLEX INCORPORATED AND SHOULD NOT BE USED WITHOUT WRITTEN PERMISSION					

6 5 4 3 2 1