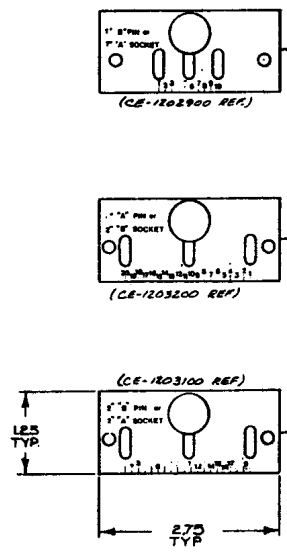
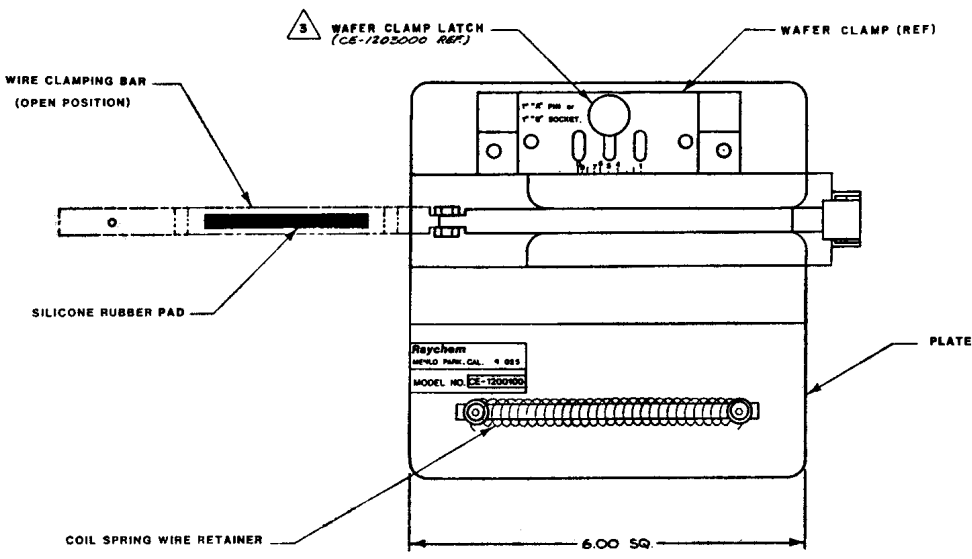
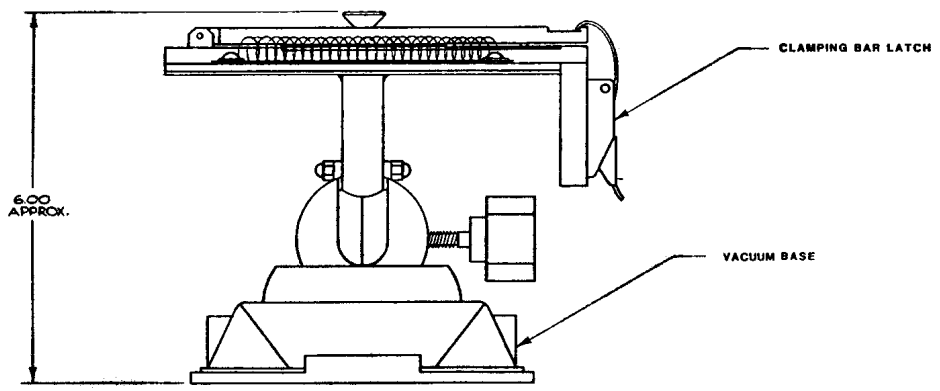


ZONE LTR		REVISIONS	DESCRIPTION	DATE	APPROVED
C					
D			CHANGED NOTE $\Delta$ PER ECR 00076	01/17/08	YHE
E			CHANGED TERM FROM COVER TO CLAMP PER ECR 00087.	04/10/08	YHE
F			ADDED DIM. NO. TO WAFER CLAMP ECR 00074	03/28/08	YHE
G			REV PER ECO 17-010935	CT 7-17	CD



WAFER CLAMP SET (4 PIECES) - TO INCLUDE CLAMP SHOWN ON FIXTURE



**NOTES:**

1. THIS FIXTURE FOR USE WITH MTC 100 ELECTRICAL CONNECTOR. WAFERS MANUFACTURED BY RAYCHEM CORPORATION
  2. REFER TO ES 61102 FOR FURTHER OPERATING INSTRUCTIONS
- $\Delta$  SPARE PART ITEM- GROMMET P/N 22556-9 AND PLUNGER P/N 26855-5

**CONNECTOR SPECIFICATION CONTROL DRAWING**

ITEM	QTY.	PART NUMBER	DWG. OR SPEC.	PARTS LIST		DESCRIPTION
THIS DRAWING AND THE INFORMATION SET FORTH HEREON ARE THE PROPERTY OF RAYCHEM CORPORATION, AND ARE TO BE HELD IN TRUST AND CONFIDENCE. PUBLICATION, DUPLICATION, DISCLOSURE, OR USE FOR ANY PURPOSE NOT EXPRESSLY AUTHORIZED IN WRITING BY RAYCHEM CORPORATION IS PROHIBITED.				UNLESS OTHERWISE SPECIFIED DIMENSIONS ARE IN INCHES AND TOLERANCES ARE: .XX ± .03 .X ± .03 .X ± .03	DRAWN: RJB CHECKED: ES APPROVED: [Signature] APPROVED: [Signature]	Raychem BENCH TERMINATION FIXTURE, MTC WAFERS
				MATERIAL	PART NUMBER: 965003 PROJECT:	SIZE: D CODE IDENT. NO. 06000 DWG. NO. CE-1200100 SCALE: FULL 1 SHEET 1 of 1
DO NOT SCALE THIS DRAWING				NEXT ASSY APPLICATION	USED ON APPLICATION	RAYCHEM CORPORATION AND OPERATIONS ARE IN WILSON, CALIFORNIA 94093

If this document is printed it becomes uncontrolled. Check with the web for latest revision.