



MATERIAL

Glass-fibre reinforced polyamide based (PA) technopolymer.

COLOUR

Black, matte finish.

STANDARD EXECUTION

Through holes for black zinc-plated cylindrical-head screws with hexagon socket, glossy zinc-plated nuts and washers, included in the supply.

SPECIAL EXECUTIONS ON REQUEST

- AISI 304 stainless steel screws, nuts and washers.
- Orange colour.



MATERIAL

Glass-fibre reinforced polyamide based (PA) technopolymer.

COLOUR

Black, matte finish.

STANDARD EXECUTION

Through holes for countersunk-head screws, black zinc-plated nuts and washers, included in the supply.

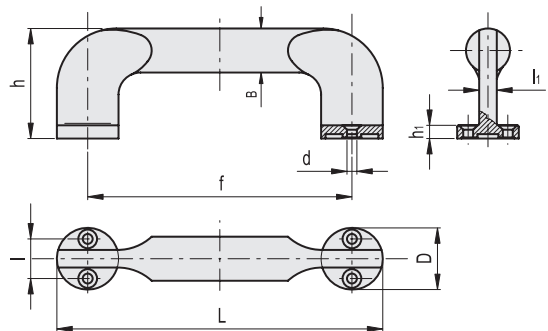
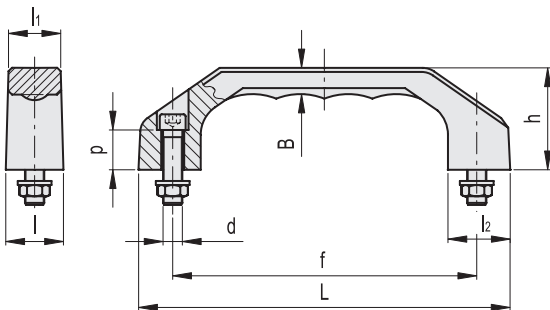
FEATURES AND APPLICATIONS

RH-K4 series handles are particularly suitable to be assembled onto thin plates.



Conversion Table
1 mm = 0.039 inch

f		L	
mm	inch	mm	inch
100	3.94	122	4.80
120	4.72	146	5.75
140	5.51	148	5.83
150	5.90	170	6.69
160	6.30	184	7.24
180	7.09	194	7.64
		218	8.58



Code	f	L	d	p	B	h	l	l1	l2	⚖
RHRG-1S.100.84	100	122	M5x22	13	8.5	33	19	17	20	55
RHRG-1S.120.84	120	146	M6x25	15	10.5	39	24	20.5	24	82
RHRG-1S.140.84	140	170	M8x40	16	12	45	27	24	28	168
RHRG-1S.160.84	160	194	M8x40	20	13.5	52	31	27.5	32	214
RHRG-1S.180.84	180	218	M10x40	20	15.5	58	35	31	36	316



Code	f	L	d	h1	Screw	B	D	h	l	l1	⚖
RHK4-20.S120.84	120	148	4.5	6	M4x16	20	28	50	18	8	80
RHK4-25.S150.84	150	184	5.5	7	M5x20	25	34	62.5	22	10	152

- 1
- 2
- 3
- 4
- 5
- 6
- 7
- 8
- 9
- 10
- 11
- 12
- 13
- 14
- 15
- 16
- 17
- 18

Lift & Pull handles