


**MATERIAL AND FINISH:**

Insulator: Nylon 66, UL-94V-0 Rated  
 Line & Ground contacts: Brass  
 Neutral contact: Brass, Nickel plated

**ELECTRICAL SPECIFICATIONS:**

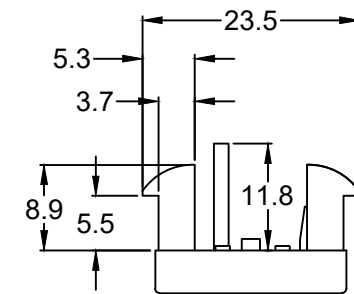
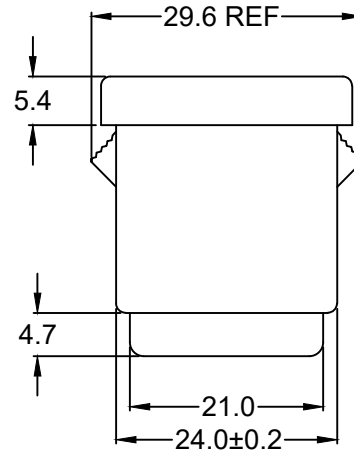
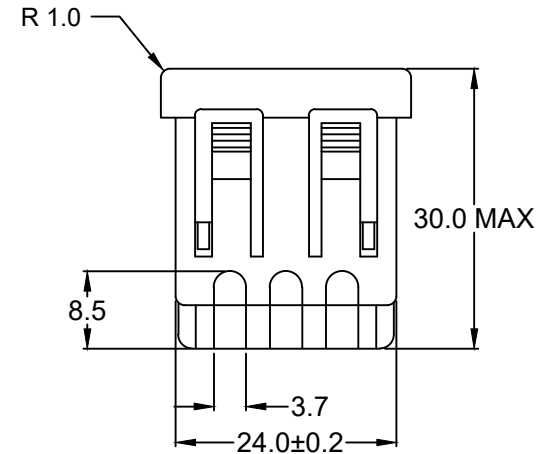
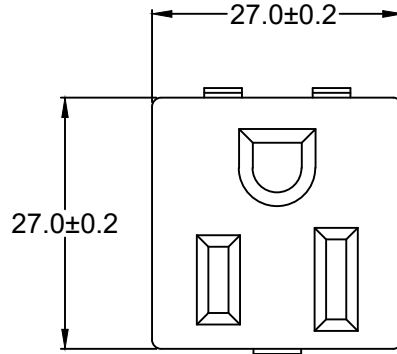
Rated current: 15A 125V 

Insulation resistance: 100 Mohm min. at 500VDC  
 Dielectric withstanding voltage: 1000VAC for one minute  
 Contact resistance: 30 milliohms max. at 2.5Vdc at 1A.

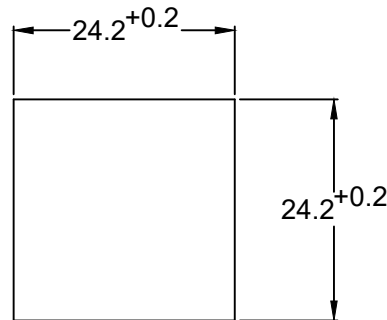
**MECHANICAL SPECIFICATIONS:**

Meets JIS C 8303 section 4.1 retaining force.

NOTE: Part shipped unassembled.



REAR COVER DETAIL



**RECOMMENDED PANEL CUTOUT**  
 Panel thickness range: 0.8mm max to 1.8mm max.

REVISIONS		CHANGE	CHNG	CHK	APPR
REV	DATE	CHGD REAR COVER	SS	TD	JJ
A	8/99	UPDATED DRAWING	SS	JJ	PB
B	4/3/00	ADDED JIS NOTE	SS	TD	PB
C	11/9/00	ADD DIM 11.8 & REV. DIM	TD	PB	PB
D	10/25/01	ADD TERM. DETAIL	TD	PB	PB
E	2/20/03	UPDATE SPECS	PB		
F	11/25/08	SHT 2. ADD SOLD WIRE FOR IDC APP.	PB		
G	3/16/11	MAX. PANEL THICKNESS WAS 3.0	PB		
H	12/13	REV. SAFETY APPROVAL MARK	PB		
I	11/29/17				

TOLERANCE UNLESS OTHERWISE SPECIFIED	
X	± 1
X.X	± 0.4
X.XX	± 0.20

DRAWN BY	SS	DATE:	2/16/00
CHECK BY	TD	DATE:	8/23/00
APPR BY	SS	DATE:	8/23/00

**Power Dynamics, Inc.**  
 Phone: 973 560-0019 Whippany, New Jersey Fax: 973 560-0076

PART: NEMA 5-15 RECEPTACLE, UNIVERSAL  
 SNAP IN, 15A 125V; FOR 14 AWG WIRE

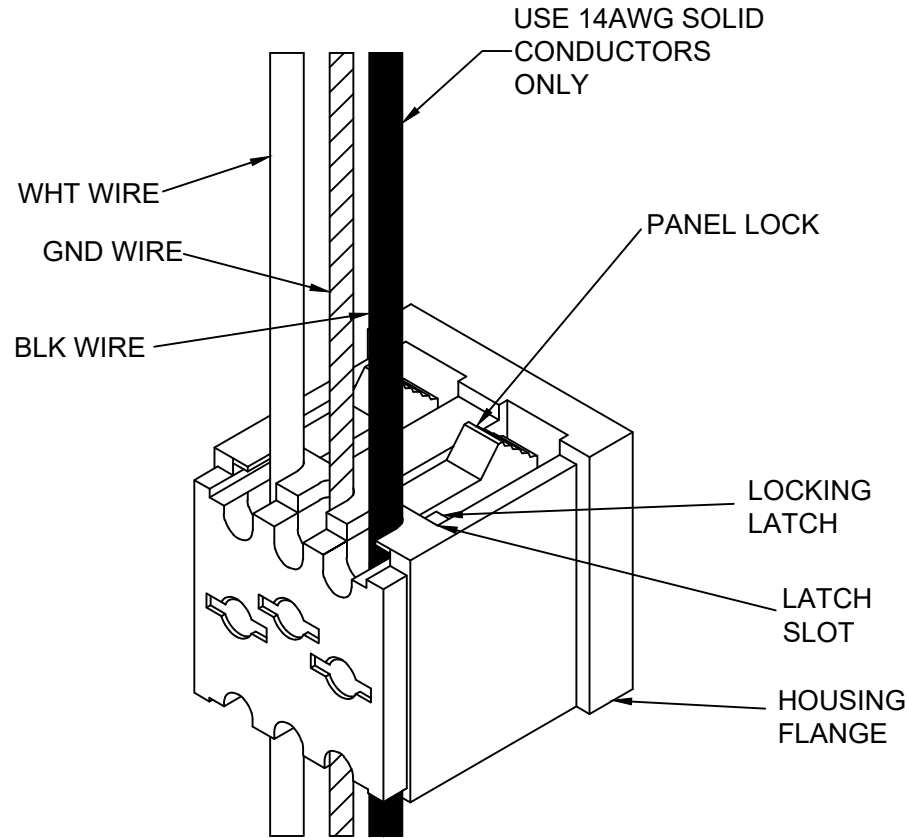
PART #: **PD-15-2**

SIZE: A  
 SCALE: NTS

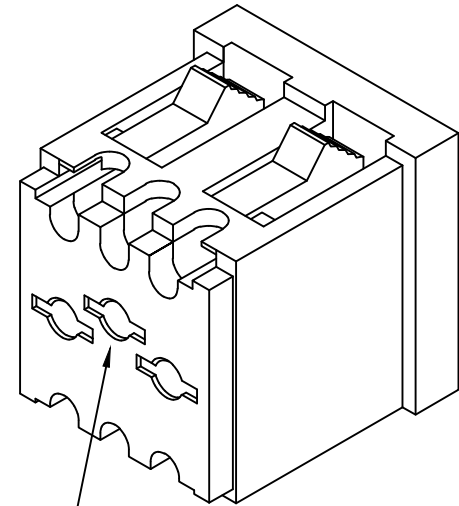
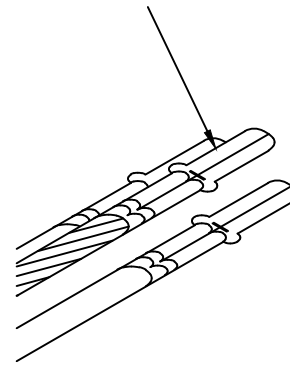
ALL DIMENSIONS FOR REFERENCE ONLY  
 DIMENSIONS ARE IN MILLIMETERS

SHEET 1 of 2  
 REV: I

### SINGLE SOCKET FEED THRU APPLICATION



TAB TERMINAL  
4.8mm TO 5.2mm  
(USING SOLID OR  
STRANDED WIRE  
14 AWG WIRE)



TAB TERMINAL  
SLOT

4.8 TO 5.2 FASTON TAB TERMINAL  
APPLICATION

REVISIONS

SEE SHEET 1 FOR LATEST REVISION

TOLERANCE UNLESS OTHERWISE SPECIFIED	
X	± 1
X.X	± 0.4
X.XX	± 0.20
DRAWN BY	SS
CHECK BY	TD
DATE:	02/16/99
DATE:	8/23/99
DATE:	8/23/99

**Power Dynamics, Inc.**

Phone: 973 560-0019 Whippany, New Jersey Fax: 973 560-0076

PART: NEMA 5-15 RECEPTACLE, UNIVERSAL  
SNAP IN, 15A 125V; FOR 14 AWG WIRE

PART #: PD-15-2		SHEET 2 of 2
SIZE: A	ALL DIMENSIONS FOR REFERENCE ONLY DIMENSIONS ARE IN MILLIMETERS	
SCALE: NTS	REV: I	