

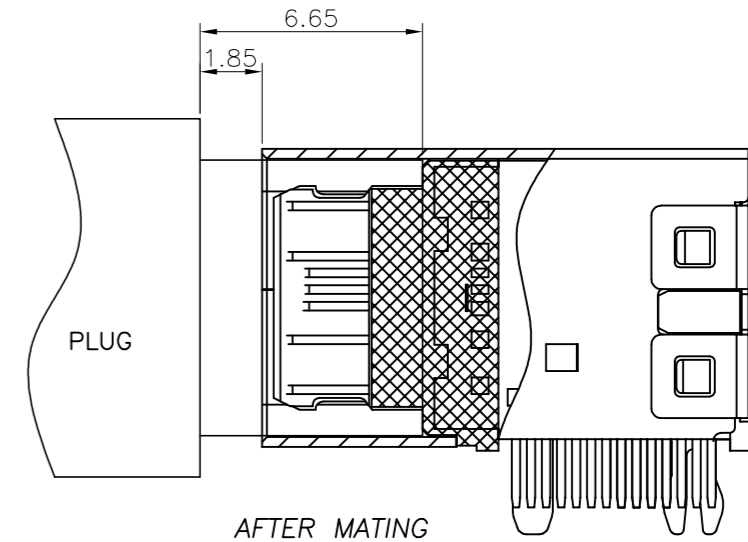
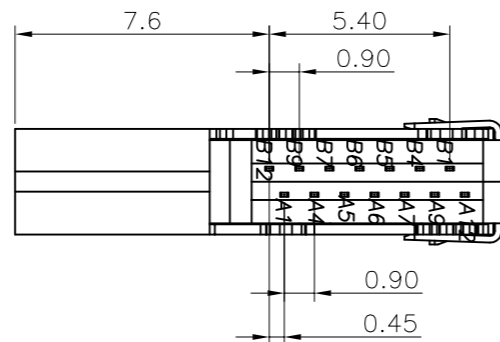
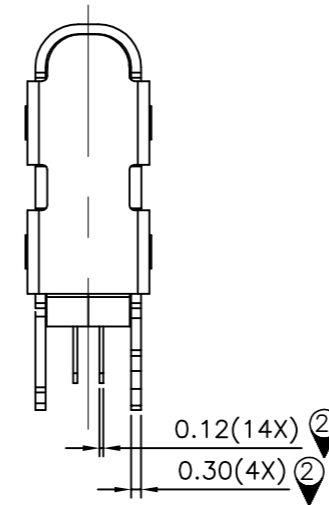
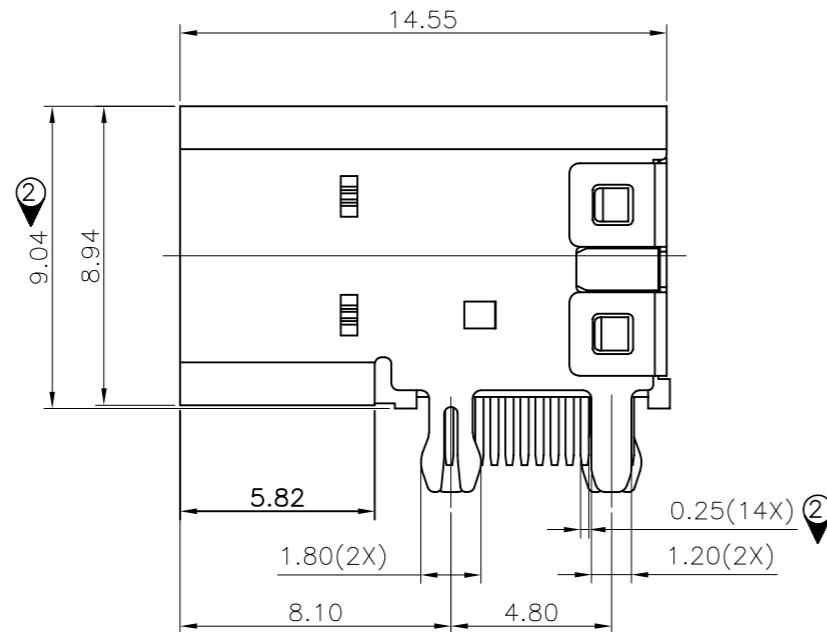
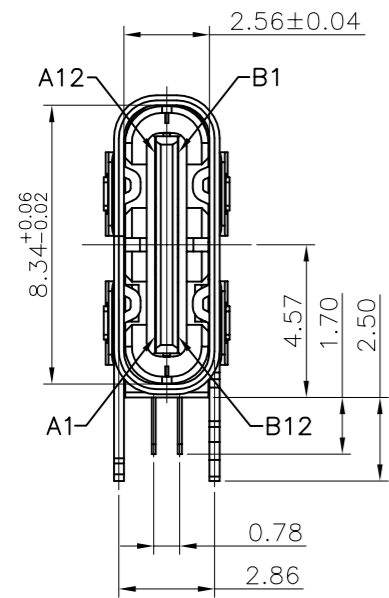
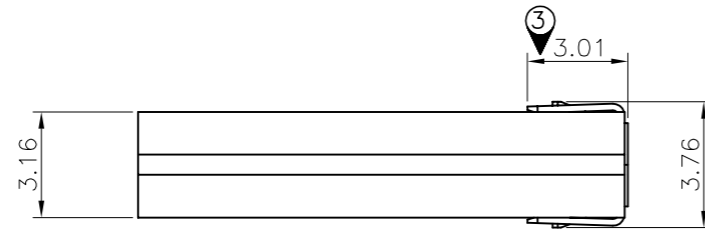
This document is the property of Amphenol Corporation and is delivered on the express condition that it is not to be disclosed, reproduced or used, in whole or in part, for manufacture or sale by anyone other than Amphenol Corporation without its prior consent, & that no right is granted to disclose or to use any information in this document.

CUSTOMER DRAWING

REVISIONS

SYM	ECN	DESCRIPTION	DATE	APPROVED
1	20XXXXXXX	NEW RELEASE	2020/06/08	IP
2	HKXXXX	Update size	2020/12/09	IP
3	HKXXXX	Update size	2020/12/09	IP

Pin No	Signal Name	Mating Sequence	Pin No	Signal Name	Mating Sequence
A1	GND	First	B12	GND	First
A4	Vbus	First	B9	Vbus	First
A5	CC1	Second	B7	D-	Second
A6	D+	Second	B6	D+	Second
A7	D-	Second	B5	CC2	Second
A9	Vbus	First	B4	Vbus	First
A12	GND	First	B1	GND	First
SHELL	GND		SHELL	GND	

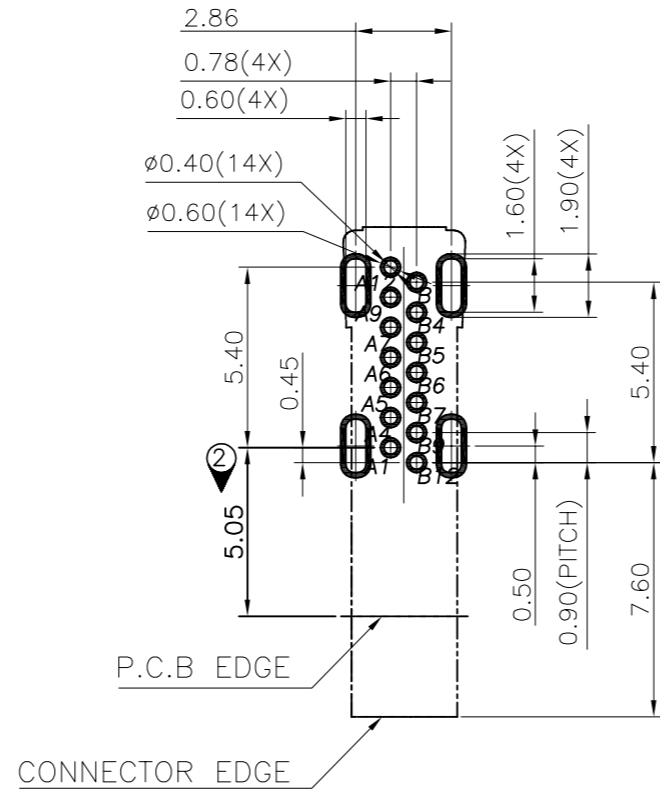
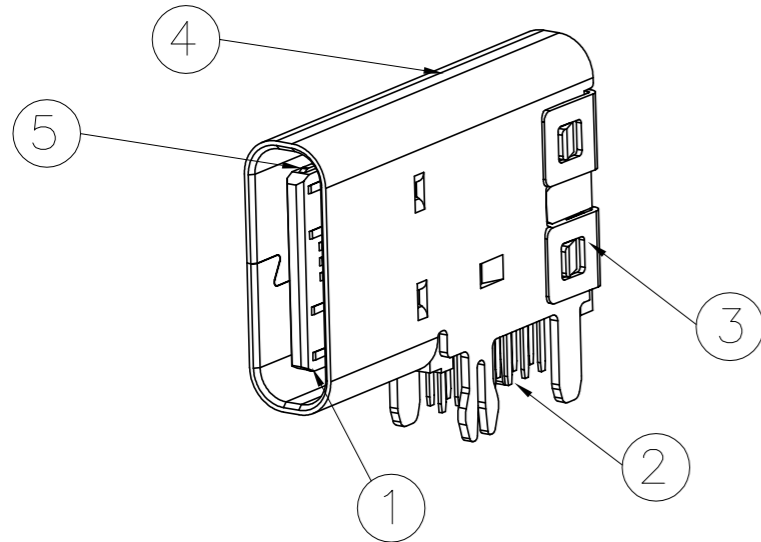


UNLESS OTHERWISE SPECIFIED TOLERANCES U.S. METRIC .X +/- 0.50 .XX +/- 0.20 .XXX +/- 0.10 FRACTIONS +/- ANGLES +/- 3° FOR MATERIALS AND FINISHES SEE NOTES REMOVE SHARP EDGES DIMENSIONS U.S. INCHES (METRIC) (MM)	APPROVAL DRAWN Alec.li CHECKED Michael.qin CHECKED	DATE 06/08/20 06/08/20	Amphenol Amphenol East Asia Limited TITLE USB 2.0, Type C socket connector, R/A ,top mount, Double DIP type SIZE DRAWING NO. A3 C 12402054 SCALE NONE SHEET 1 OF 2
	DRAWING FILE : R:\DCI\Engineering data\RD\工程图客户图		
	ANGLE OF PROJECTION 		
	REV. 3		

This document is the property of Amphenol Corporation and is delivered on the express condition that it is not to be disclosed, reproduced or used, in whole or in part, for manufacture or sale by anyone other than Amphenol Corporation without its prior consent, & that no right is granted to disclose or to use any information in this document.

CUSTOMER DRAWING

REVISIONS				
SYM	ECN	DESCRIPTION	DATE	APPROVED



RECOMMENDED PCB LAYOUT(TOP VIEW)
THICKNESS 1.6±0.10MM;DEFAULT TOLERANCE:±0.05

NOTES/注释:

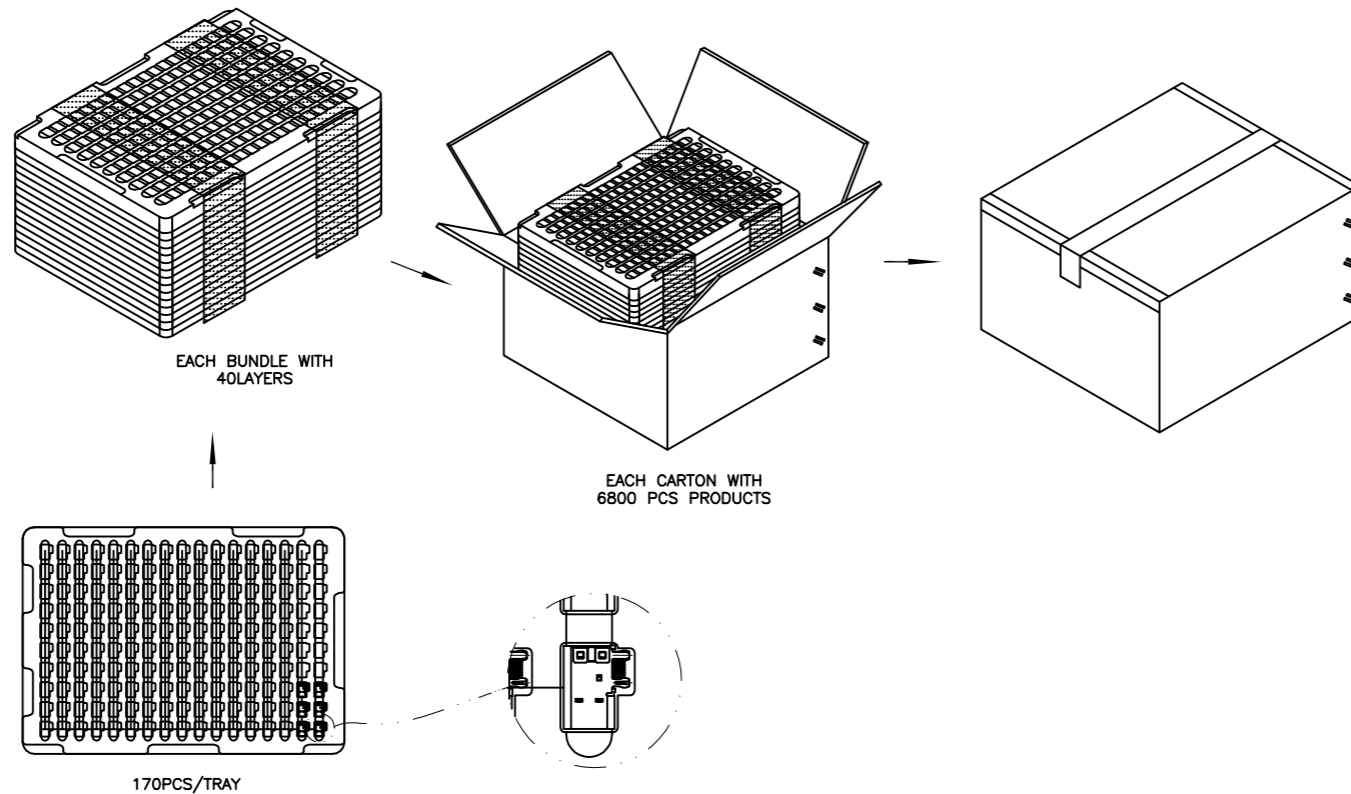
- MATERIAL/材料: SEE TABLE/见下表
- GENERAL SPECIFICATION/通用特性:
 - CURRENT RATING: 3A / 额定电流: 3安培
 - CONTACT RESISTANCE: 40mΩ MAX (INITIAL). INSULATION RESISTANCE:100MΩ Min
接触电阻: 40毫欧最大(初始值) / 绝缘电阻: 100MΩ Min
 - DIELECTRIC WITHSTANDING VOLTAGE: 100 VAC
耐电压: 100伏交流
 - MECHANICAL CHARACTERISTICS:
INSERTION FORCE: 5~20N EXTRACTION FORCE: 8~20N
AFTER DURABILITY EXTRACTION FORCE: 6~20N
力学特性: 初始插入力: 5~20N 拔出力: 8~20N
耐久后拔出力: 6~20N
 - DURABILITY: 10000 CYCLES / 耐久性: 10000次
 - PACKAGING TYPE: TRAY TAPE./ 包装类型: 托盘包装
- DIMENSIONING SHALL BE INTERPRETED PER ASME Y14.5M 1994.
尺寸标注基于ASME Y14.5M 1994标准规范
- MATERIAL SHOULD BE FULFILLED AMPHENOL SPEC.# S-SN-002, FOR HALOGEN FREE PRODUCTS, ALSO NEED TO MEET S-SN-004.
产品材料环保标准为Amphenol SSN#002,如果是无卤产品需满足标准SSN#004
- ORDER P/N SYSTEM/产品料号编码系统 : 12402054XX11A

Plating Spec:

M6: Mating Area: Au 3u" Min
Solder Area: Gold flash
50u"Min Nickel Under Plating Over All

A:HF
Package Spec.
1:Tray

PACK DIRECTION



ITEM	DESCRIPTION	Q'TY	MATERIAL	
5	MID PLATE	1	STAINLESS STEEL	CLEAR ONLY
4	OUTOR SHELL	1	STAINLESS STEEL	SOLDER NICKEL: 30" MIN
3	Rear cover	1	COPPER ALLOY	SOLDER NICKEL: 30" MIN
2	TERMINAL	1	COPPER ALLOY	MATING AREA : Au3u"MIN SOLDER TAIL: Au G.F, 50~150u" NICKEL OVERALL.
1	MOLDING HOUSING	1	HIGH TEMPERATURE PLASTIC	BLACK

BILL OF MATERIAL

UNLESS OTHERWISE SPECIFIED TOLERANCES		APPROVAL		DATE	Amphenol Amphenol East Asia Limited TITLE USB 2.0, Type C socket connector, R/A ,top mount, Double DIP type SIZE DRAWING NO. A3 C 12402054 REV. 3
U.S.	METRIC	DRAWN	Alec.II	06/08/20	
.X	+/- 0.50	CHECKED	Michael.qin	06/08/20	
.XX	+/- 0.20	CHECKED			
.XXX	+/- 0.10	DRAWING FILE : R:\DCI\Engineering data\RD\工程\客户图			SCALE NONE SHEET 2 OF 2
FRACTIONS	+/-	REMOVE SHARP EDGES			
ANGLES	+/- 3°	DIMENSIONS			
		U.S. INCHES			
		(METRIC) (MM)			