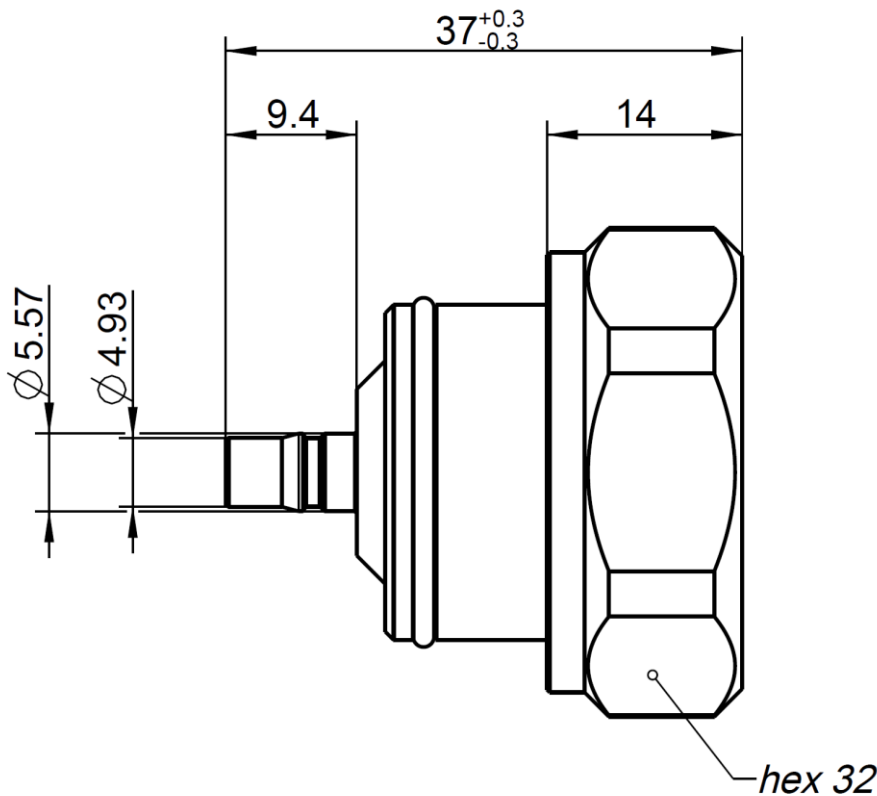


QMA

Adaptor  
QMA Jack – 7/16 Plug

**28K160-S00N5**



All dimensions are in mm; tolerances according to ISO 2768 m-H

**Interface**

According to	QMA side:	IEC 61169-50
	7/16 side:	IEC 61169-4, EN 122190, DIN 47223

**Documents**

N/A

**Material and plating**

**Connector parts**

Center contact  
Outer contact  
Dielectric  
Gasket

**Material**

CuBe  
Brass  
PTFE  
Silicone

**Plating**

AuroDur®, gold plated  
White bronze(e.g. Optalloy®)

Dieses Dokument ist urheberrechtlich geschützt • This document is protected by copyright • Rosenberger Hochfrequenztechnik GmbH & Co. KG

RF\_35/09.14/6.2

QMA

Adaptor  
QMA Jack – 7/16 Plug

**28K160-S00N5**

**Electrical data**

Impedance	50 Ω	
Frequency	DC to 8.3 GHz	
Return loss	≥ 34 dB, DC to 2.5 GHz	
	≥ 21 dB, 2.5 to 8.3 GHz	
Insertion loss	≤ 0.03 x √f(GHz) dB	
Insulation resistance	≥ 5 x10 <sup>3</sup> MΩ	
Center contact resistance	≤ 3 mΩ, QMA side	≤ 0.4 mΩ, 7/16 side
Outer contact resistance	≤ 2 mΩ, QMA side	≤ 1.5 mΩ, 7/16 side
Test voltage	1000 V rms	
Working voltage	480 V rms	
RF-leakage	≥ 95 dB up to 2 GHz	
	≥ 80 dB up to 4 GHz	
	≥ 70 dB up to 6 GHz	
Intermodulation (3 <sup>rd</sup> order)	≤ -120 dBm @ 2 x 20 W, 1800 MHz	

**Mechanical data**

	QMA side	7/16 side
Mating cycles	min. 100	min. 500
Coupling nut retention	N/A	≥ 1000 N
Center contact captivation: axial	≥ 200 N	≥ 200 N
Coupling test torque	N/A	max. 35 Nm
Recommended torque	N/A	25 to 30 Nm
Engagement force	typ. 25 N	N/A
Disengagement force	typ. 20 N	N/A
Retention force for interface	60 N min.	N/A

**Environmental data**

Temperature range	-40°C to +85°C
Storage temperature	-40°C to +85°C
Thermal shock	IEC 60169-1 16.4 (-40 / +85°C)
Corrosion	IEC 60169-1 16.7 (48 hrs)
Vibration	IEC 60068-2-64 random
Damp heat, steady state	IEC 60169-1 16.3 (96 hrs)
RoHS	compliant

**Tooling**

N/A

**Suitable cables**

N/A

**Weight**

Weight 91 g/pce

While the information has been carefully compiled to the best of our knowledge, nothing is intended as representation or warranty on our part and no statement herein shall be construed as recommendation to infringe existing patents. In the effort to improve our products, we reserve the right to make changes judged to be necessary.

For the installation of the electrotechnical equipment, particular electrotechnical expertise is required.



Dieses Dokument ist urheberrechtlich geschützt • This document is protected by copyright • Rosenberger Hochfrequenztechnik GmbH & Co. KG

RF\_35/09.14/6.2

Draft	Date	Approved	Date	Rev.	Engineering change number	Name	Date
König A.	14.02.05	Chr. Janßen	02.11.20	f00	20-1927	S. Huber-Siegl	02.11.20
Rosenberger Hochfrequenztechnik GmbH & Co. KG P.O.Box 1260 D-84526 Tittmoning Germany <a href="http://www.rosenberger.de">www.rosenberger.de</a>						Tel. : +49 8684 18-0 Email : <a href="mailto:info@rosenberger.de">info@rosenberger.de</a>	
						Page 2 / 2	