



Toggle switch, 22 mm, round, plastic with metal front ring, black, 2 switch positions O-I, latching

|  |  |
|--|--|
| product brand name                                 | SIRIUS ACT                                 |
| product designation                                | Toggle switches                            |
| design of the product                              | Actuating/signaling element                |
| product type designation                           | 3SU1                                       |
| product line                                       | Plastic with metal front ring, matt, 22 mm |
| <b>Enclosure</b>                                   |  |
| number of command points                           | 1  |
| <b>Actuator</b>                                    |  |
| principle of operation of the actuating element    | latching                                   |
| product extension optional                         |  |
| • light source                                     | No   |
| • contact module                                   | Yes  |
| color  |  |
| • of the actuating element                         | black                                      |
| • of the cover cap                                 | other                                      |
| material of the actuating element                  | plastic                                    |
| shape of the actuating element                     | Toggle lever                               |
| outer diameter of the actuating element            | 29.45 mm                                   |
| number of switching positions                      | 2  |
| <b>Front ring</b>                                  |  |
| product component front ring                       | Yes  |
| design of the front ring                           | Standard                                   |
| material of the front ring                         | Metal, matt                                |
| color of the front ring                            | sand gray                                  |
| <b>General technical data</b>                      |  |
| protection class IP                                | IP66, IP67, IP69(IP69K)                    |
| degree of protection NEMA rating                   | 1, 2, 3, 3R, 4, 4X, 12, 13                 |
| shock resistance                                   |  |
| • according to IEC 60068-2-27                      | sinusoidal half-wave 15g / 11 ms           |
| vibration resistance                               |  |
| • according to IEC 60068-2-6                       | 10 ... 500 Hz: 5g                          |
| operating frequency maximum                        | 1 800 1/h                                  |
| mechanical service life (switching cycles) typical | 1 000 000                                  |
| reference code according to IEC 81346-2            | S  |
| Substance Prohibitance (Date)                      | 10/01/2014                                 |
| <b>Ambient conditions</b>                          |  |
| ambient temperature                                |  |
| • during operation                                 | -25 ... +70 °C                             |
| • during storage                                   | -40 ... +80 °C                             |

|  |  |
|--|--|
| environmental category during operation according to IEC 60721 | 3M6, 3S2, 3B2, 3C3, 3K6 (with relative air humidity of 10 ... 95%) |
|--|--|

### Installation/ mounting/ dimensions

|   |          |
|---|----------|
| shape of the installation opening           | round    |
| mounting diameter                           | 22.3 mm  |
| positive tolerance of installation diameter | 0.4 mm   |
| mounting height                             | 22.3 mm  |
| installation width                          | 29.45 mm |
| installation depth                          | 26.3 mm  |

### Certificates/ approvals

|                          |                           |
|--------------------------|---------------------------|
| General Product Approval | Declaration of Conformity |
|--------------------------|---------------------------|



[Confirmation](#)



### Test Certificates Marine / Shipping

[Type Test Certificates/Test Report](#)

[Special Test Certificate](#)



### Marine / Shipping other



[Confirmation](#)

### Further information

Information- and Downloadcenter (Catalogs, Brochures,...)

<https://www.siemens.com/ic10>

Industry Mall (Online ordering system)

<https://mall.industry.siemens.com/mall/en/en/Catalog/product?mlfb=3SU1030-3EA10-0AA0>

Cax online generator

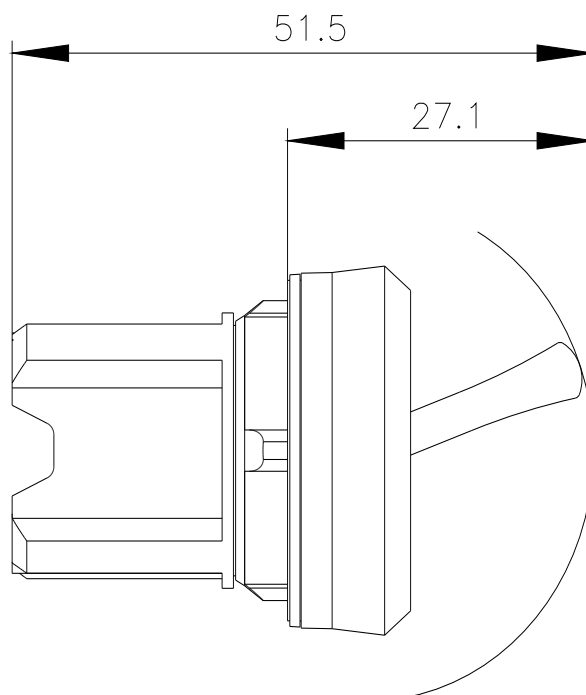
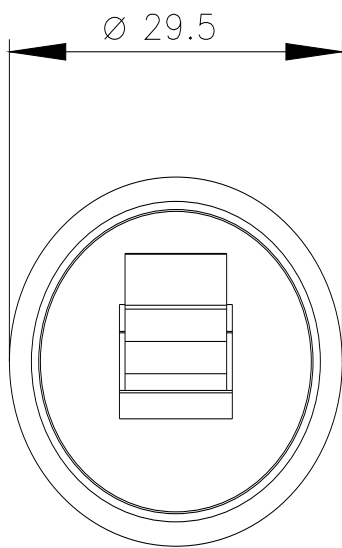
<http://support.automation.siemens.com/WW/CAXorder/default.aspx?lang=en&mlfb=3SU1030-3EA10-0AA0>

Service&Support (Manuals, Certificates, Characteristics, FAQs,...)

<https://support.industry.siemens.com/cs/ww/en/ps/3SU1030-3EA10-0AA0>

Image database (product images, 2D dimension drawings, 3D models, device circuit diagrams, EPLAN macros, ...)

[http://www.automation.siemens.com/bilddb/cax\\_de.aspx?mlfb=3SU1030-3EA10-0AA0&lang=en](http://www.automation.siemens.com/bilddb/cax_de.aspx?mlfb=3SU1030-3EA10-0AA0&lang=en)



last modified:

1/26/2022 