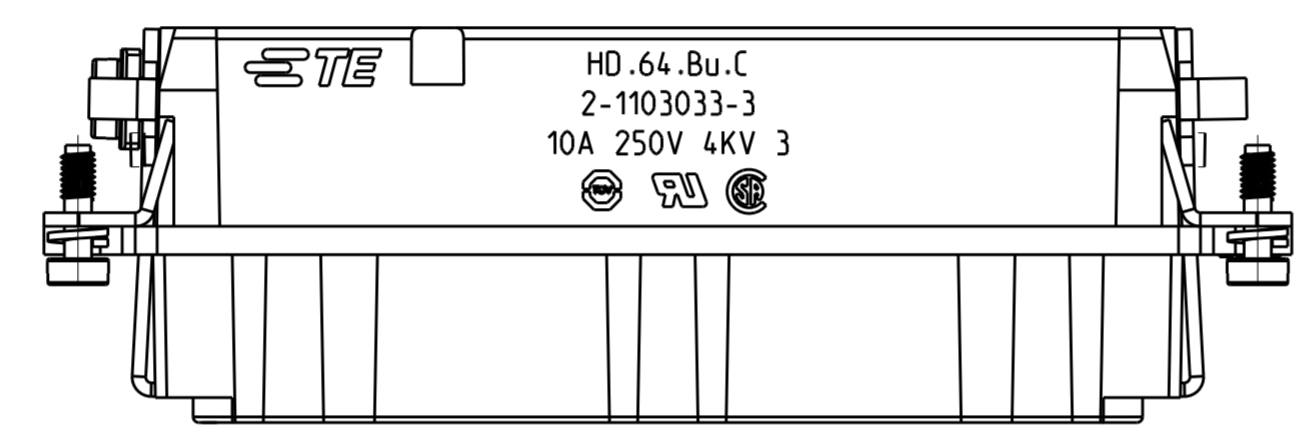
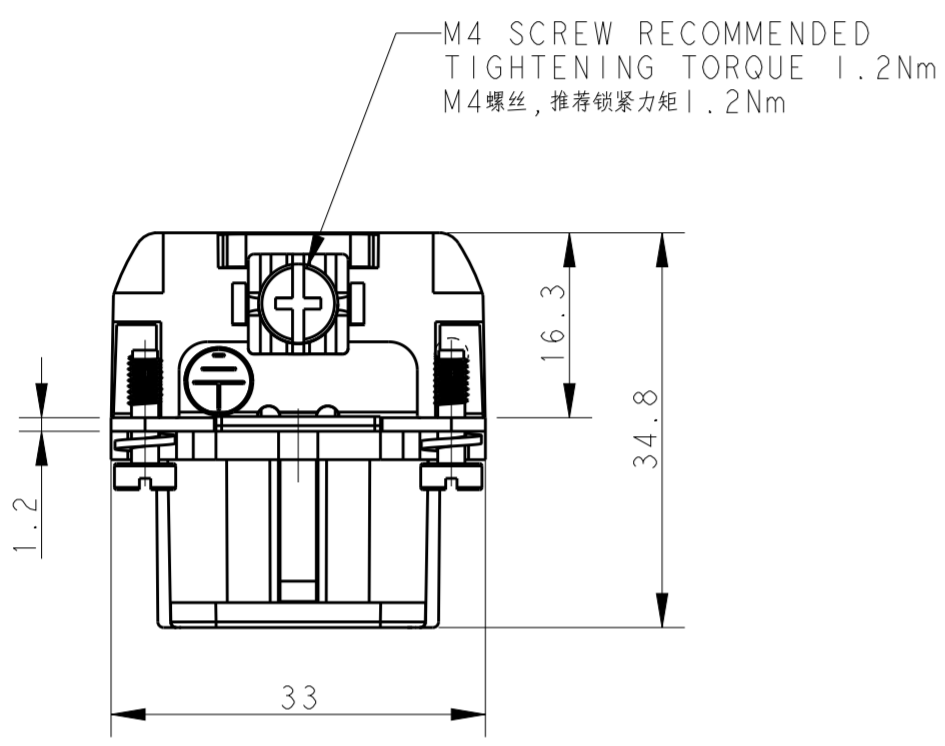
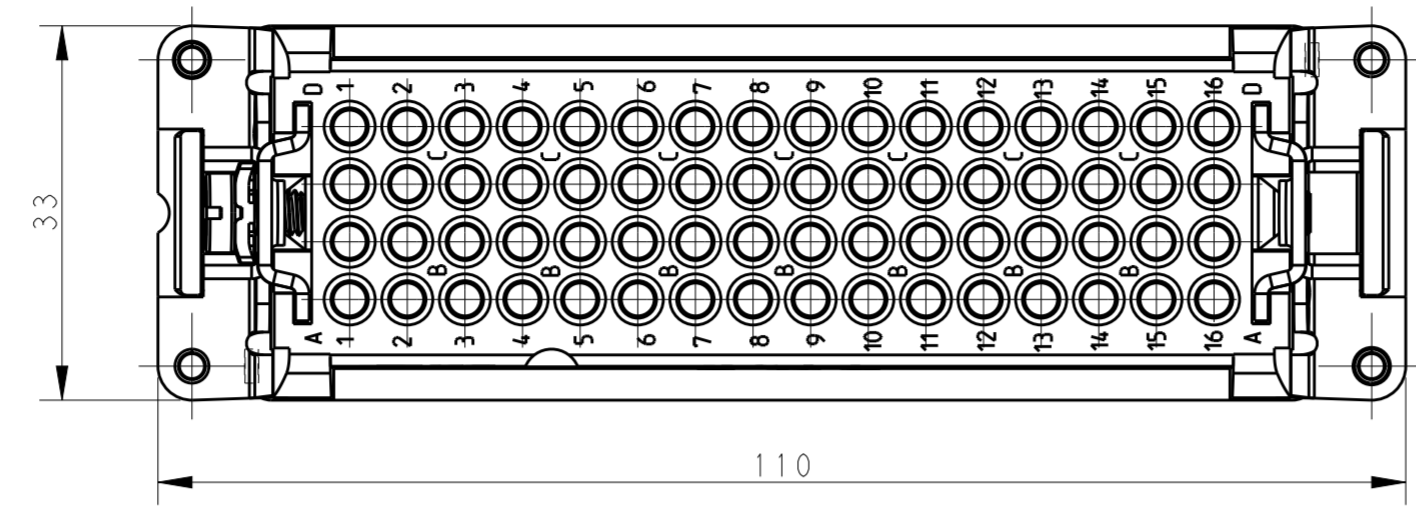
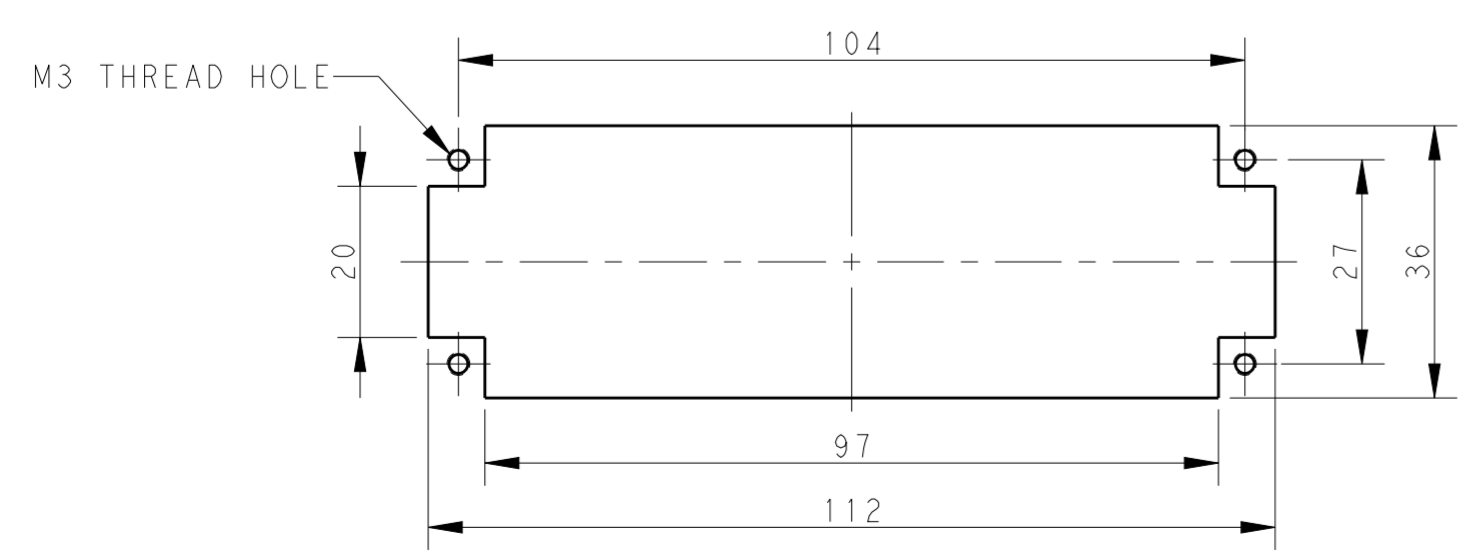
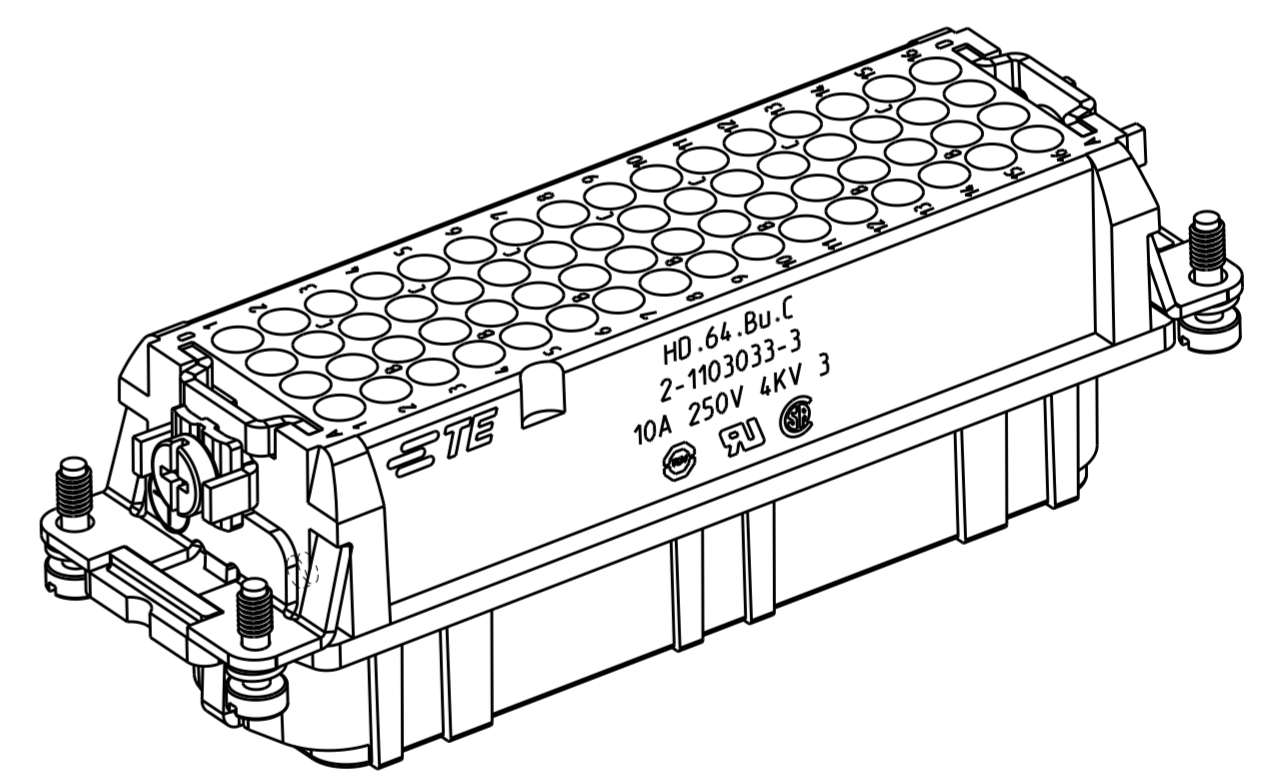
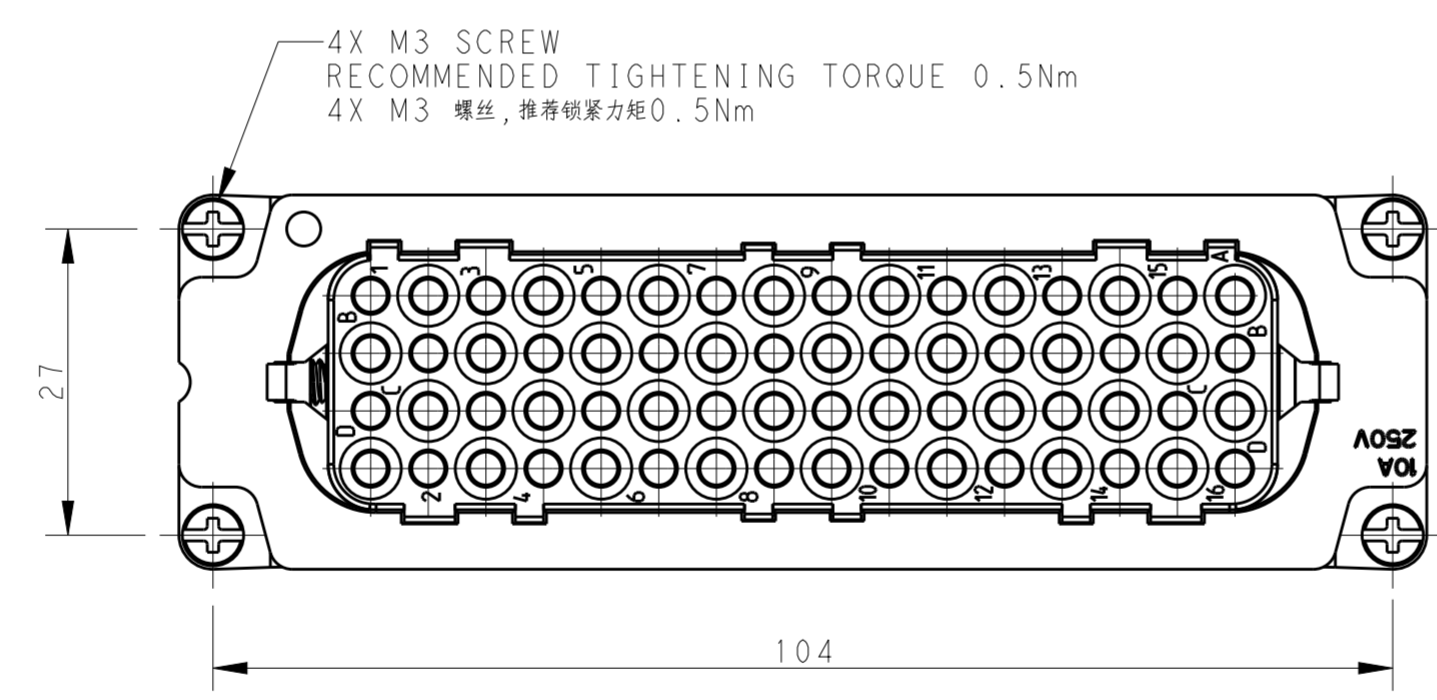


REVISIONS					
P	LTR	DESCRIPTION	DATE	DWN	APVD
C		ECR-20-005011	06APR2020	QY	JB
D		ECR-20-007704	03JUN2020	QY	JB
D1		ECR-20-016724	25NOV2020	QY	JB



NOTES:
 1. TECHNICAL CHARACTERISTICS:
 INSULATION MATERIAL: PC
 RATED VOLTAGE: 250V
 RATED CURRENT: 10A
 INSULATION RESISTANCE: >=400MΩ
 RATED IMPULSE VOLTAGE: 4KV
 POLLUTION DEGREE: 3
 MATING CYCLES: 500 CYCLES
 TEMPERATURE RANGE: -40~+125°C
 WIRE RANGE: 0.14mm²~2.5mm² (AWG26-AWG14)
 2. CONTACT NEED TO BE ORDERED SEPARATELY.

注释:
 1. 技术参数:
 绝缘材料: PC
 额定电压: 250V
 额定电流: 10A
 绝缘电阻: >=400MΩ
 脉冲电压: 4KV
 污染等级: 3
 插拔次数: 500 次
 温度范围: -40~+125°C
 接线范围: 0.14mm²~2.5mm² (AWG26-AWG14)
 2. 端子需要单独订购.



PANEL CUT FOR INSERTS FOR USE WITHOUT HOODS/ HOUSINGS
 不使用防护外壳时芯件的安装开孔图

2-1103033-3	HD.64.Bu.C	HD-064 FEMALE INSERT FOR STAMPED CONTACT TYPE HD-064 母插, 卷皮针型(HTS)
PART NUMBER 料号		PART DESCRIPTION 描述

THIS DRAWING IS A CONTROLLED DOCUMENT.		DWN QIANG YUAN 08 JAN 2020	TE Connectivity	
		CHK JAN BREDOW 08 JAN 2020		
		APVD MARCIN KOMAR 08 JAN 2020	NAME HD.64.Bu.C	
DIMENSIONS: mm		TOLERANCES UNLESS OTHERWISE SPECIFIED: 0 PLC ± 1 PLC ± 2 PLC ± 3 PLC ± 4 PLC ± ANGLES ±	PRODUCT SPEC 108-74002	SIZE A2
MATERIAL -		FINISH -	APPLICATION SPEC 114-74000	CAGE CODE 00779
			WEIGHT -	DRAWING NO C-1103033
			CUSTOMER DRAWING	RESTRICTED TO -
			SCALE 3:2	SHEET 1 OF 1
				REV D1