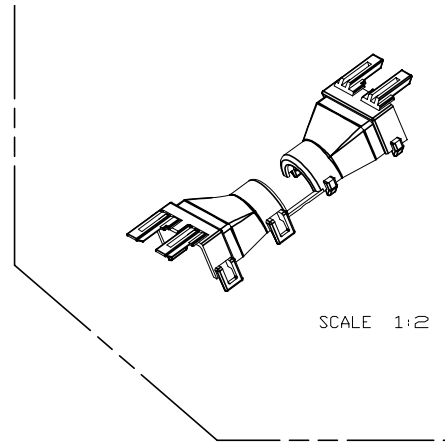
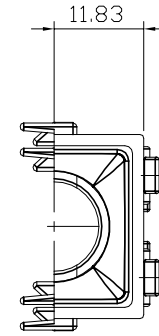
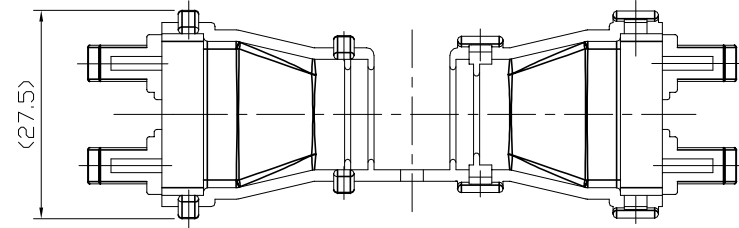
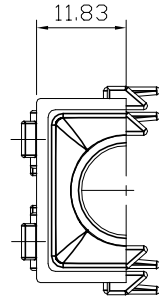
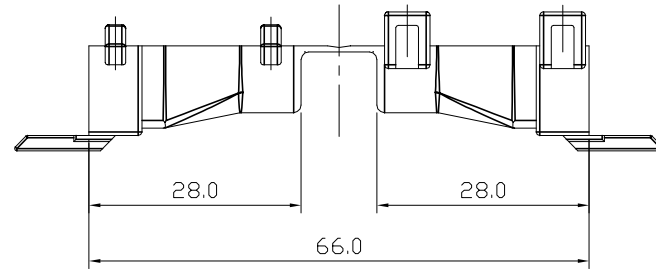


REVISIONS

P	LTR	DESCRIPTION	DATE	DWN	APVD
	A1	REVISED	ECR-20-006478	03SEP2020	PSJ SPB

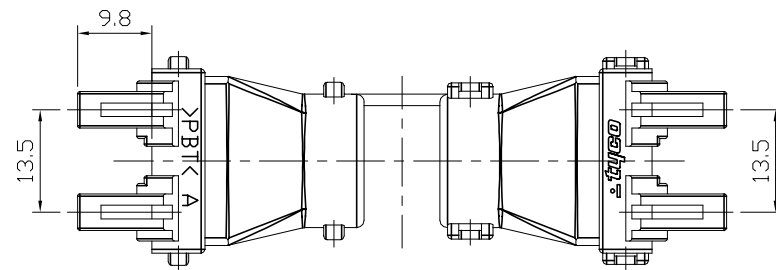


SCALE 1:2



NOTES;

- GENERAL TOLERANCE IS  $\pm 0.3$ ,  $\pm 3^\circ$
- APPLICABLE PLUG HSG : X-1438487-X, X-1438488-X, X-1438489-X, X-1438490-X
- APPLICABLE CORRUGATE TUBE :  $\phi 11$  mm
- APPLICATION TEST SPEC. : MS210-06C (EXCEPT 4.4)



OBSOLETE	(A) WATER BLUE (RAL 5021)	PBT	COVER HSG	1-1743234-6
	(A) SIGNAL BLUE (RAL 5005)	PBT	COVER HSG	1-1743234-5
	(A) TRAFFIC PURPLE (RAL 4006)	PBT	COVER HSG	1-1743234-4
	(A) DUSTY GRAY (RAL 7037)	PBT	COVER HSG	1-1743234-3
	PURPLE VIOLET (RAL 4007)	PBT	COVER HSG	1-1743234-2
OBSOLETE	BEIGE (RAL 1001)	PBT	COVER HSG	1-1743234-1
	ORANGE	PBT	COVER HSG	0-1743234-9
OBSOLETE	LIGHT BLUE (RAL 5012)	PBT	COVER HSG	0-1743234-8
	MOSS GREEN (RAL 6005)	PBT	COVER HSG	0-1743234-7
OBSOLETE	RED	PBT	COVER HSG	0-1743234-6
OBSOLETE	YELLOW	PBT	COVER HSG	0-1743234-5
OBSOLETE	CLAY BROWN (RAL 8003)	PBT	COVER HSG	0-1743234-4
	LIGHT GRAY (RAL 7035)	PBT	COVER HSG	0-1743234-3
	BLACK	PBT	COVER HSG	0-1743234-2
	NATURAL	PBT	COVER HSG	0-1743234-1
	COLOR	MATERIAL	DESCRIPTION	P/N

THIS DRAWING IS A CONTROLLED DOCUMENT.		DWN	-		
		CHK	-		
		APVD	-		
DIMENSIONS: mm		CHK	YM CHOI		NAME COVER HSG FOR ACU CONNECTOR 24POS.
TOLERANCES UNLESS OTHERWISE SPECIFIED:		APVD	JK SONG		
0 PLC $\pm -$ 1 PLC $\pm -$ 2 PLC $\pm -$ 3 PLC $\pm -$ 4 PLC $\pm -$ ANGLES $\pm -$		PRODUCT SPEC	-		
MATERIAL		APPLICATION SPEC	-		SIZE A3
SEE TABLE		FINISH	-		
		WEIGHT	0		CAGE CODE
		CUSTOMER DRAWING	A300779		DRAWING NO
			C-1743234		RESTRICTED TO
			SCALE		FREE
			SHEET		1 of 1
			REV		A1