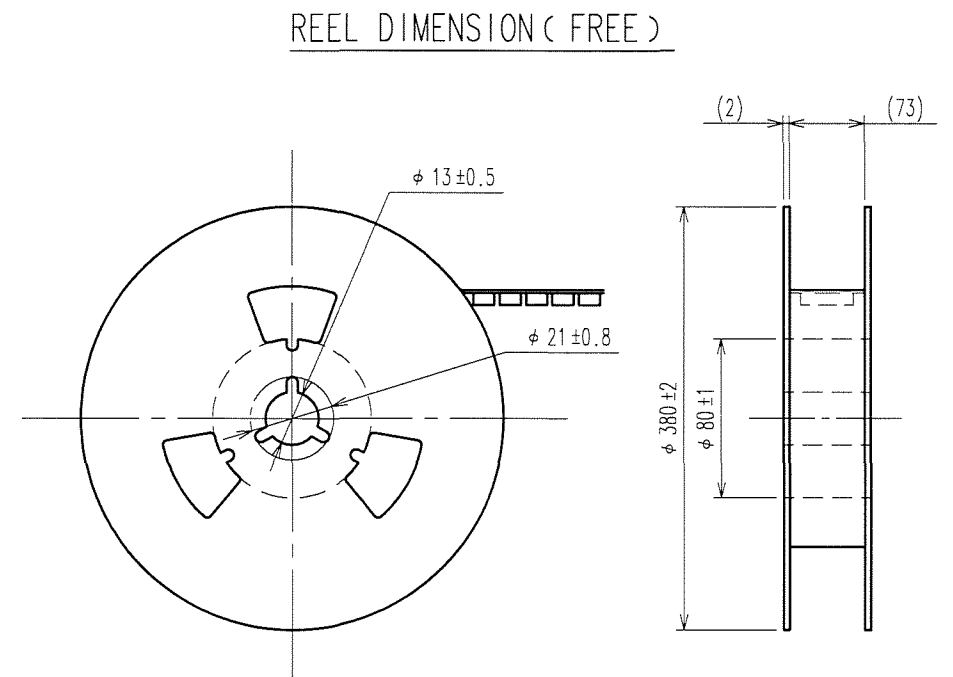
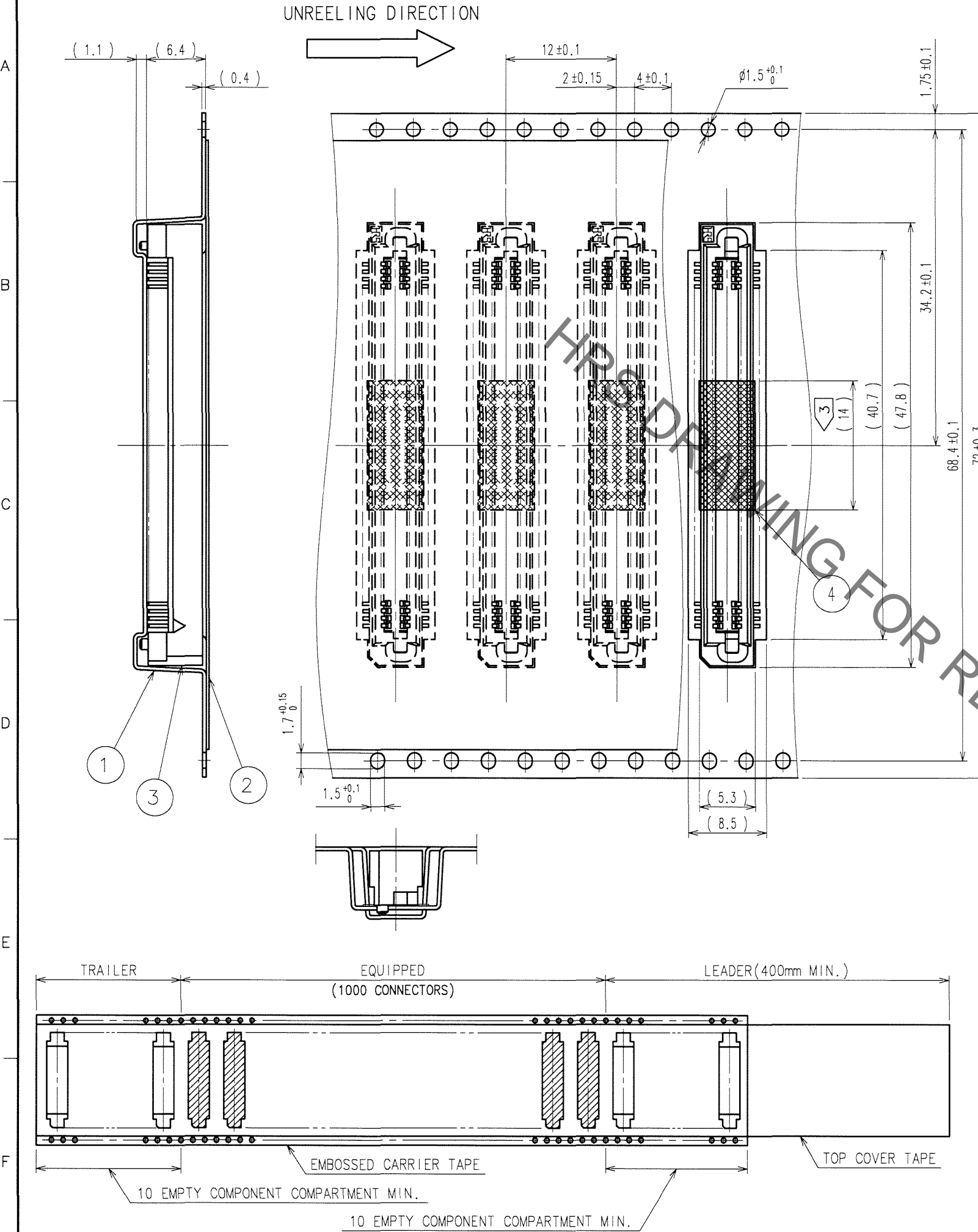


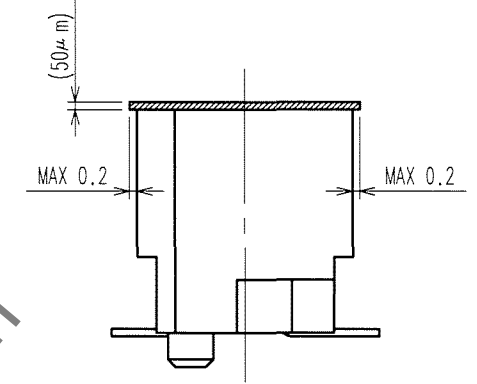


May.1.2023 Copyright 2023 HIROSE ELECTRIC CO., LTD. All Rights Reserved.  
 In case of consideration for using Automotive equipment / device which demand high reliability, kindly contact our sales window correspondents.

COUNT	DESCRIPTION OF REVISIONS	BY	CHKD	DATE	COUNT	DESCRIPTION OF REVISIONS	BY	CHKD	DATE



DETAIL OF TAPE FOR VACUUM PICKUP(5:1)



- NOTE 1 1 REEL : 1000 CONNECTORS.  
 2 THE DIMENSIONS IN PARENTHESES ARE FOR REFERENCE.  
 3 REMOVE THE VACUUM PICKUP TAPE AFTER MOUNTING THE CONNECTOR.

2	POLYESTER	(TOP COVER TAPE)	4	POLYIMIDE	(TAPE FOR VUCUUM PICKUP)
1	POLYSTYRENE	(EMBOSSD CARRIER TAPE)	3		(CONNECTOR)
NO.	MATERIAL	FINISH, REMARKS	NO.	MATERIAL	FINISH, REMARKS
CODE NO. (OLD)			DRAWN	DESIGNED	CHECKED
			S.KAMIGA	S.KAMIGA	J. Ogawa
			08.01.21	08.01.21	08.01.21
			APPROVED	RELEASED	
			H. Okawa		
			08.01.21		
DRAWING NO.			PART NO.		
EDC3-084986-23			FX6-100S-0.8SV2(93)		
SCALE			CODE NO.		
2 : 1			CL576-0128-4-93		
UNITS					
mm					

TO