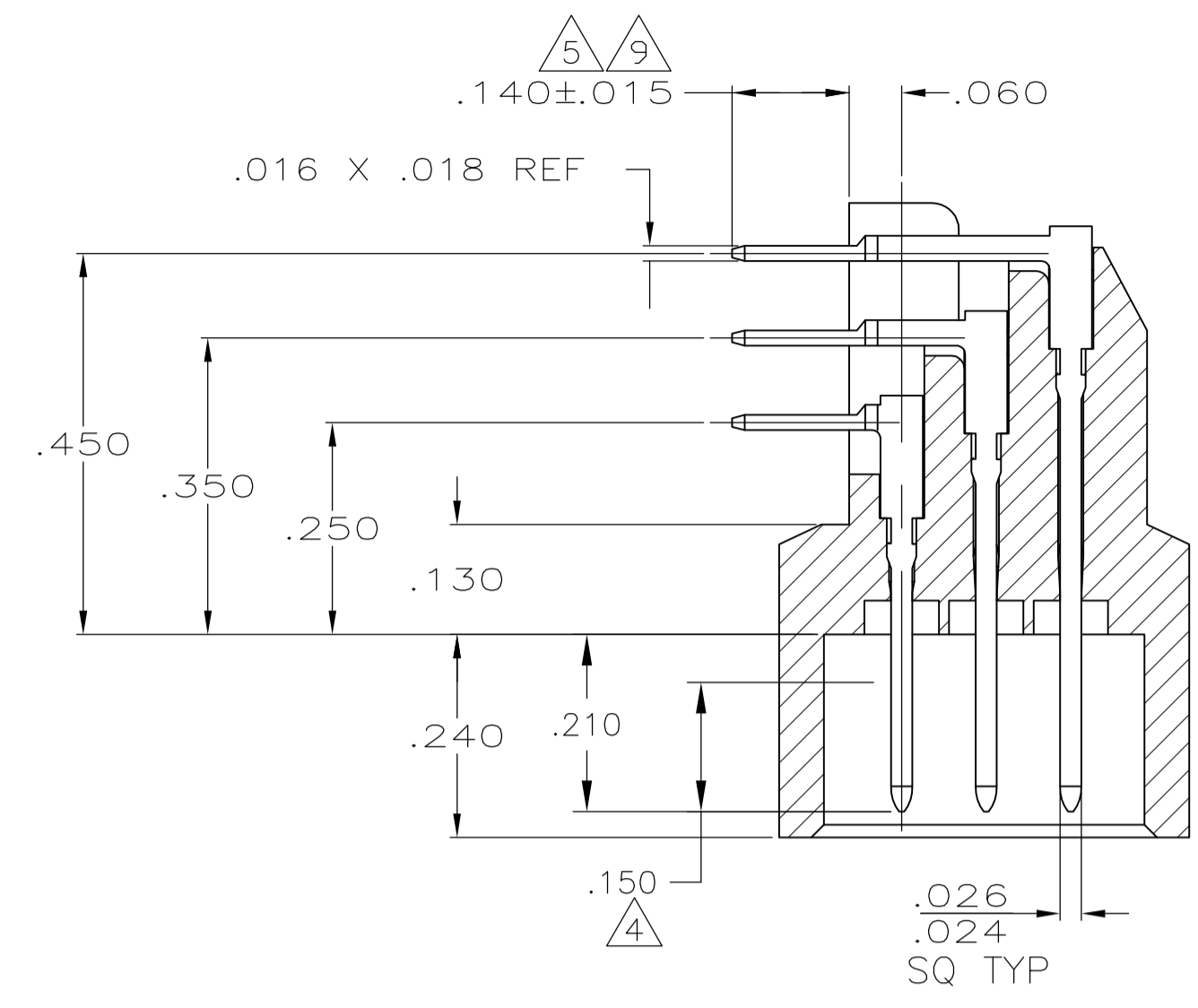
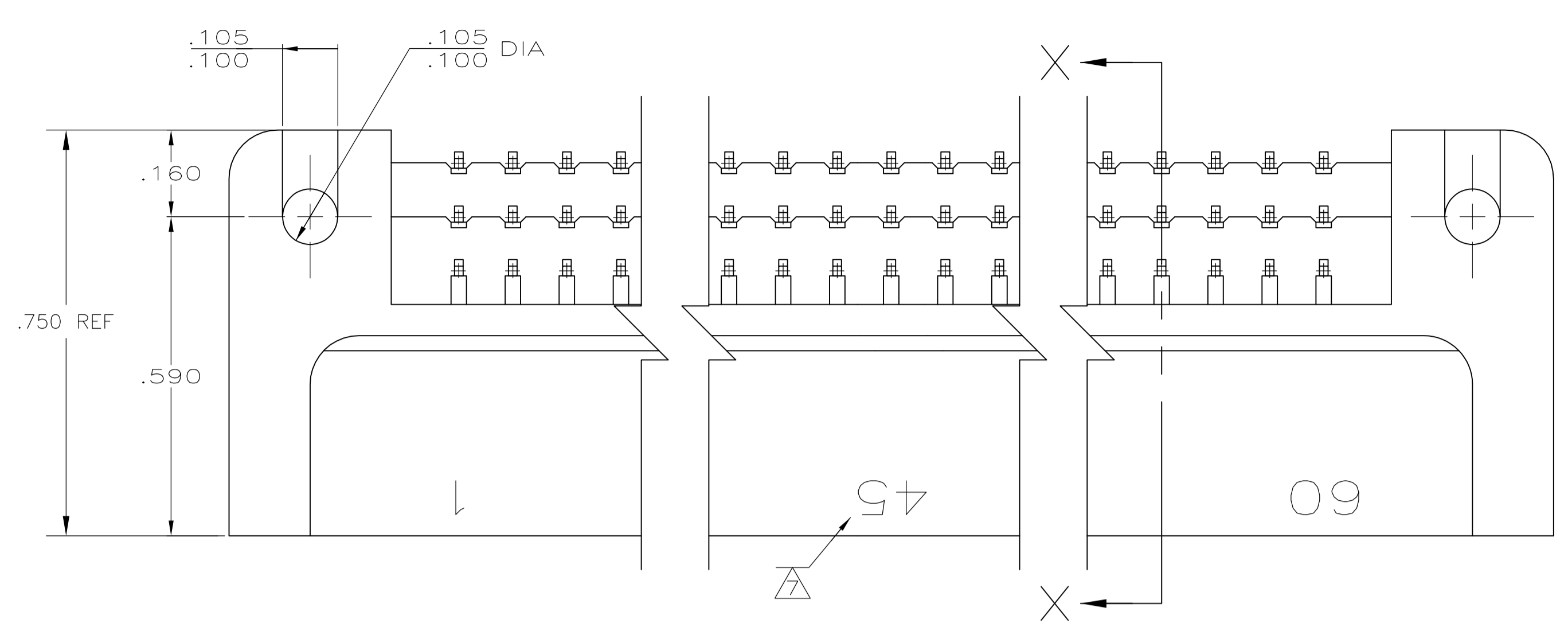
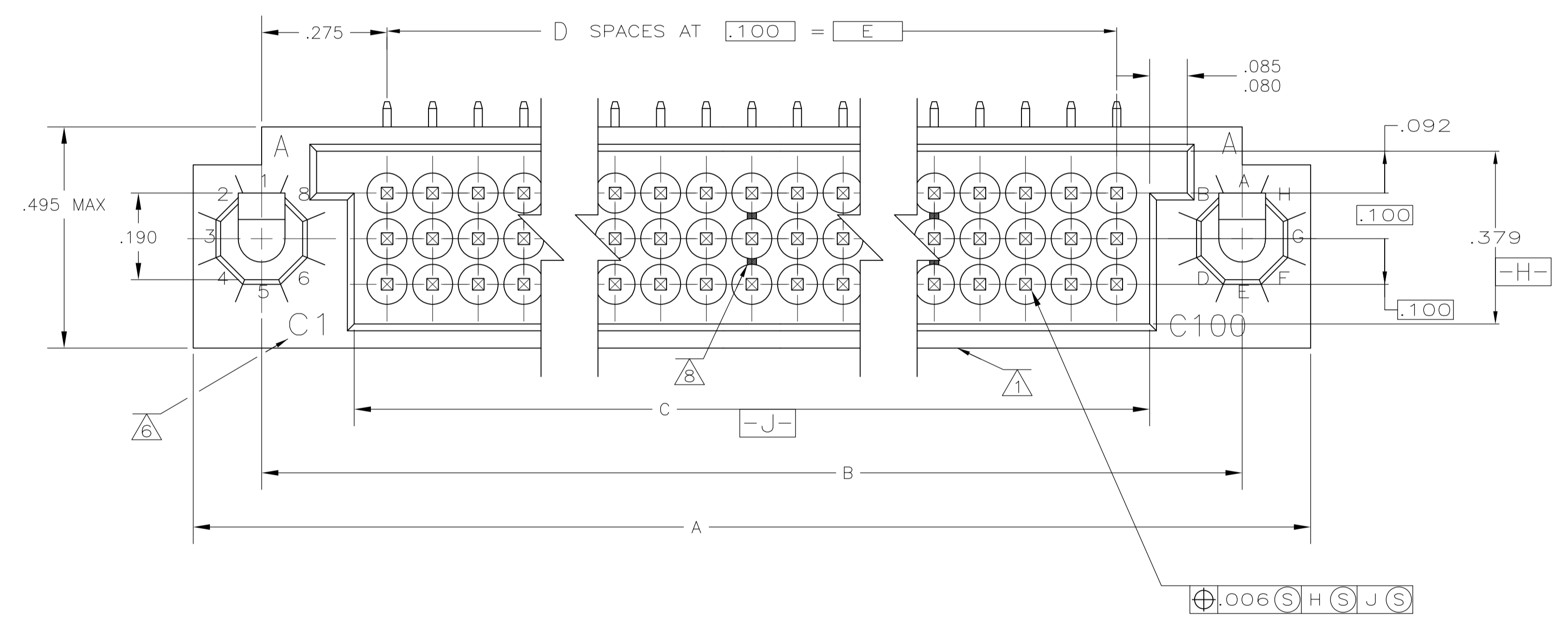


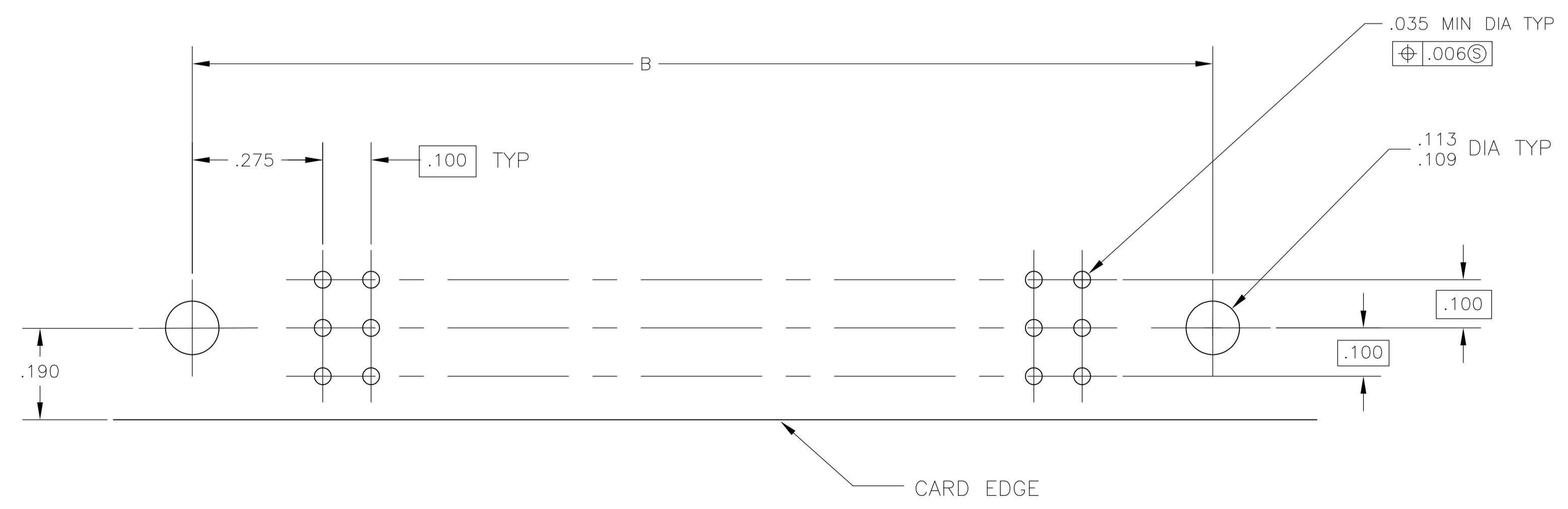
REVISIONS					
REV	BY	DESCRIPTION	DATE	APP'D	REV
H	REV PER ECO	17-011655	8-22-17	CT	RL



SECTION X-X



- ① AMP, DATE CODE, & PART NO. MARKED THIS AREA.
- ② HOUSING MATERIAL: POLYPHENYLENE SULFIDE, GST-40F, PER MIL-M-24519.
- ③ CONTACT MATERIAL: BRASS
- ④ FINISH: .000030 GOLD OVER .000050 NICKEL IN CONTACT AREA.
- ⑤ FINISH: .000100 TIN LEAD OVER .000050 NICKEL.
- ⑥ LETTERS INDICATING OUTSIDE ROWS AND NUMBERS INDICATING END CAVITIES MARKED THIS SURFACE.
- ⑦ NUMBERS INDICATING EVERY FIVE CAVITIES MARKED ON BOTH SIDES.
- ⑧ LINES INDICATING EVERY FIVE CAVITIES MARKED ON MATING FACE.
- ⑨ FINISH: .000100 TIN OVER .000050 NICKEL.



PC BOARD LAYOUT

REV	BY	DESCRIPTION	DATE	APP'D	REV			
⑨		4.900	49	5.044	5.450	5.750	150	5-531137-4
⑧		3.400	34	3.544	3.950	4.250	105	5-531137-2
⑨		2.900	29	3.044	3.450	3.750	90	5-531137-1
⑧	OBSOLETE	9.900	99	10.044	10.450	10.750	300	1-531137-5
⑧	OBSOLETE	8.900	89	9.044	9.450	9.750	270	1-531137-4
⑧	OBSOLETE	6.400	64	6.544	6.950	7.250	195	1-531137-3
⑧	OBSOLETE	4.400	44	4.544	4.950	5.250	135	1-531137-2
⑧	OBSOLETE	3.200	32	3.344	3.750	4.050	99	1-531137-1
⑧	OBSOLETE	4.100	41	4.244	4.650	4.950	126	1-531137-0
⑧	OBSOLETE	4.000	40	4.144	4.550	4.850	123	531137-9
⑧		7.900	79	8.044	8.450	8.750	240	531137-8
⑧		6.900	69	7.044	7.450	7.750	210	531137-7
⑧	OBSOLETE	5.900	59	6.044	6.450	6.750	180	531137-6
⑧		5.400	54	5.544	5.950	6.250	165	531137-5
⑧		4.900	49	5.044	5.450	5.750	150	531137-4
⑧		3.900	39	4.044	4.450	4.750	120	531137-3
⑧		3.400	34	3.544	3.950	4.250	105	531137-2
⑧		2.900	29	3.044	3.450	3.750	90	531137-1
		E	D	C	B	A	NO. OF POSN.	PART NO

THIS DRAWING IS A CONTROLLED DOCUMENT. **STE** TE Connectivity

DIMENSIONS: INCHES. TOLERANCES UNLESS OTHERWISE SPECIFIED:

0 PL	± .010
1 PL	± .010
2 PL	± .010
3 PL	± .010
4 PL	± .010
ANGLES	± .010

MATERIAL: **2** POLYPHENYLENE SULFIDE, GST-40F, PER MIL-M-24519. **3** CONTACT MATERIAL: BRASS. **4** FINISH: .000030 GOLD OVER .000050 NICKEL IN CONTACT AREA. **5** FINISH: .000100 TIN LEAD OVER .000050 NICKEL. **9** FINISH: .000100 TIN OVER .000050 NICKEL.

APPROVED: **D. MILLER** 5-10-93. NAME: PIN HEADER ASSY, RIGHT ANGLE, 3-ROW, .100. APPLICATION SPEC: PRODUCT SPEC.

SIZE: A1. CAGE CODE: 00779. DRAWING NO: 531137. WEIGHT: 0.000000. RESTRICTED TO: CUSTOMER DRAWING. SCALE: 5:1. SHEET: 1 OF 1. REV: H.