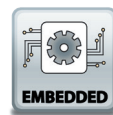
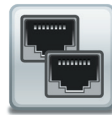
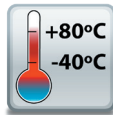
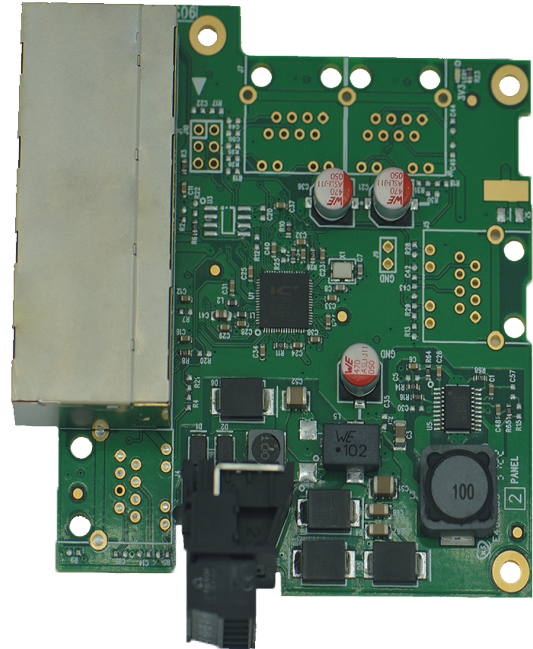


# SW-104

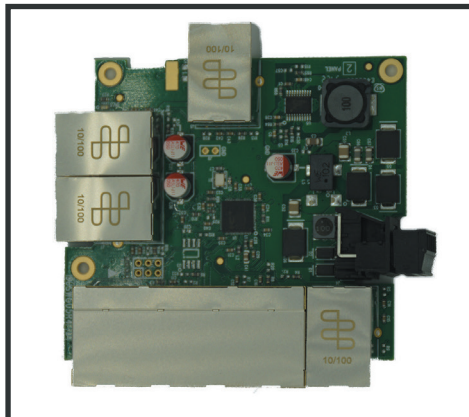
# Embedded 4 Port Ethernet Switch

4 Port Unmanaged Ethernet Switch 10/100

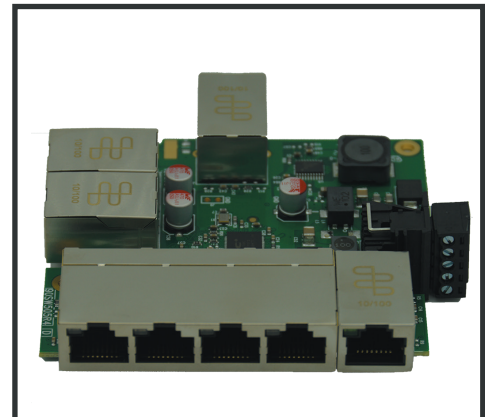
- 4 Port 10/100 Mbs Ethernet Switch
- Redundant dual power inputs: +5V to +30V DC
- No software required - Simply plug in and connect
- Industrial temperature range



+5 to +30 Volt Power Input enables the device to be run from a standard car battery - ideal for in vehicle applications



Embedded format, takes up minimal space, with mounting holes are connected to Functional Earth



Provides additional Ethernet ports for your custom application



# SW-104

## Embedded 4 Port Ethernet Switch 10/100

No software needed: Simply plug in any ethernet cable

-40°C to +80°C/-40°F to +176°F temperature range

All Ethernet ports are Auto MDI/MDIX supporting straight through or crossover Ethernet cables

Ready for embedded applications

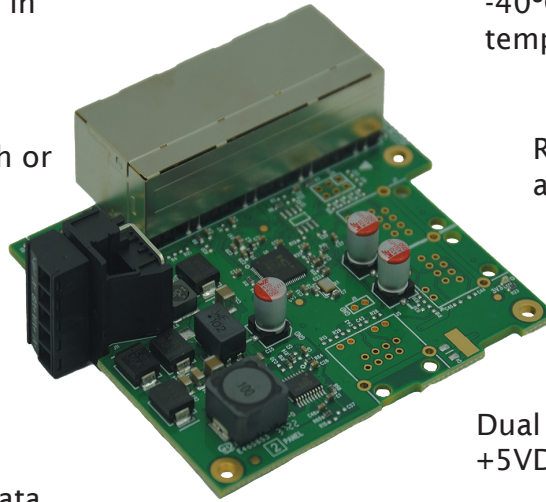
Automatic detection of data transmission speed: 10 or 100 MBps

Power consumption is optimised based on the status of the link device

2k Byte maximum packet size – improves the efficiency of bulk data transfer and system performance

Dual redundant power input: +5VDC to +30VDC

Easy Wire Removable screw terminal block




---

### Connectors

Screw Terminals	3.5mm pitch, #22 - #14, 0.5mm <sup>2</sup> -2.5mm <sup>2</sup> pin power supply
Wire Thickness	0.150 inch, 3.81mm, 20 pins, 12+8 screw terminals, #26 - #16 AWG, 0.14mm <sup>2</sup> -1.3mm <sup>2</sup>

---

### Power Supply

Power Consumption	1.1 Watts Max : 220 mAmps@+5VDC/36mAmps@+30VDC
Power Supply input	Unregulated +5V to +30Volts DC, reverse polarity protection
Isolation	1500VRMS Magnetic isolation from Ethernet

---

### Environmental

Operating Temperature	-40°C to +80°C/-40°F to +176°F
Storage Temperature	-40°C to +80°C/-40°F to +176°F
Ambient Relative Humidity	5 to 95% (non-condensing)

---

### Magjack LED Information

Link/Activity LED	Solid green	Connection established
	Flashing Green	Data communication

---

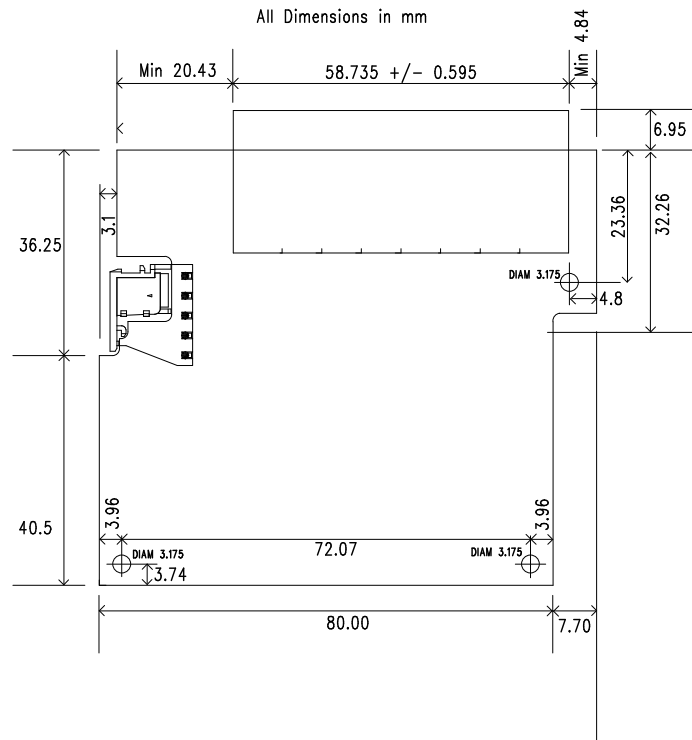
### Ethernet

Ethernet Port	4 x RJ45 jack, 10/100Mhz autosensing, crossover auto sensing (Auto MDIX)
Protection	1,500 Volts magnetic isolation between ports
Housing	This device is uncased for embedded applications The mounting holes are connected to Functional Earth

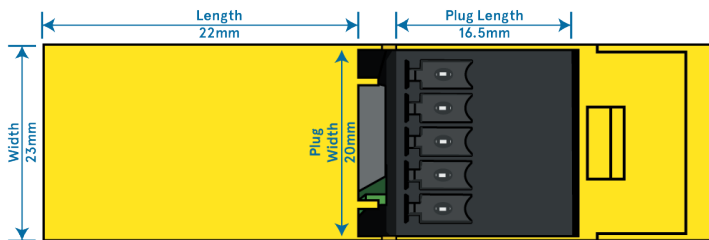
---

# SW-104

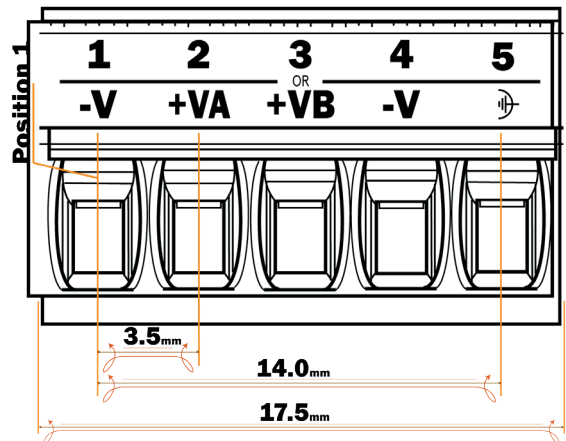
## Embedded 4 Port Ethernet Switch 10/100



5 position 3.5mm pitch socket compatible with Euroblock pluggable terminal block connectors



5 position 3.5mm pitch pluggable terminal block included



### Power Terminal Pin Outs

PIN	FUNCTION
1	-V
2	+VA
3	+VB
4	-V
5	Functional Earth

### Ethernet Ports x4 Pin Outs

PIN	FUNCTION
1	RD+ / TD+
2	RD- / TD-
3	TD+ / RD+
4	NC
5	NC
6	TD- / RD-
7	NC
8	NC

Lifetime Warranty and Support:

We can help with every aspect of your project, from getting you up and running to custom application.

## SW-104

## Embedded 4 Port Ethernet Switch 10/100

### Packaging Information

Packaging	Quick Start Guide
Device	Ethernet Switch 4 port
Packaged Weight	0.082 kg, 2.89 ounces
Packaged Dims	160x135x49 mm, 6.3x5.3x1.9 inches
GTIN Universal Code	837324004175

### Approvals

Industry Approvals	Microsoft Certified Gold Partner, WEEE, RoHS, AEO (C-TPAT), CE, UKCA, METL Complies with UL62368-1
--------------------	--

### Product Support

Warranty	Lifetime - online registration required
Support	Lifetime Web, Email and Phone Support from fully qualified, friendly staff who work in and alongside the Product Development Team

### Additional Information

OEM option	Available for bulk buy OEM
Made In	Manufactured in the UK by Brainboxes Winner 2005 European Electronics Industry Awards 'Manufacturer of the Year'
Customisable	Brainboxes operate a 'Perfect Fit Custom Design' policy for volume users. More info:sales@brainboxes.com



#### PW-600

Power supply with connectors for UK, USA, EU and AUS mains socket. 'Tails' are suitable for connecting to screw terminal blocks.



#### PW-650

Power supply with USB connector and prewired screw terminal block. Suitable for use with 5V USB ports.



#### SW Range

Switch products available in a range of formats and specifications.

[www.brainboxes.com](http://www.brainboxes.com)