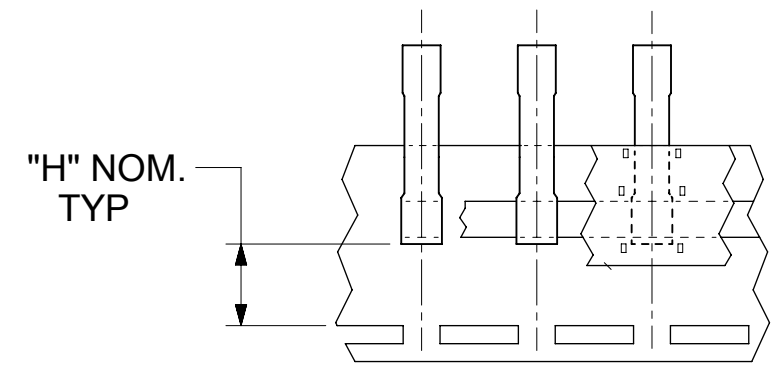
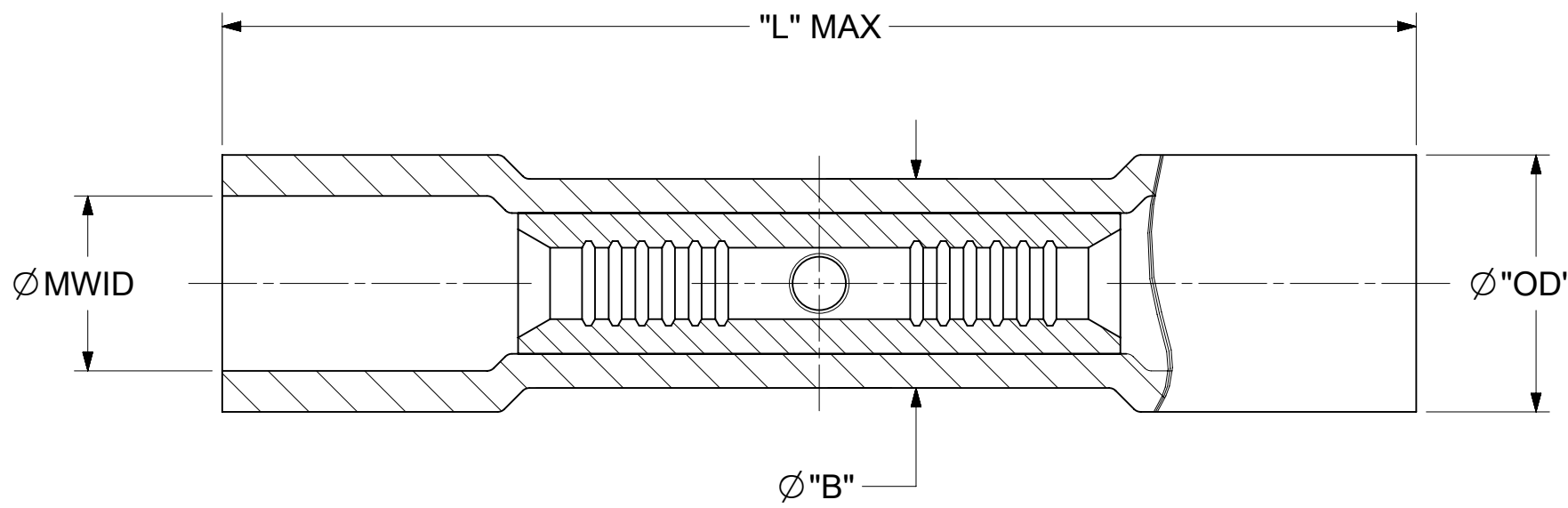
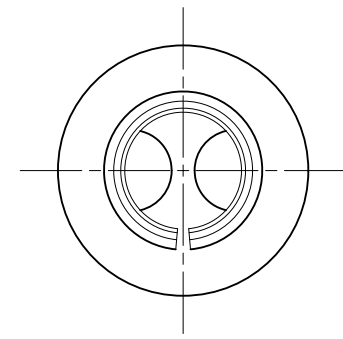


MATERIAL NO.	ENG. NO.	MATERIAL NO. (TAPED)	ENG NO. (TAPED)	COLOR	MWID	OD (MAX)	"L" MAX	"B" (MAX)	ID (MIN)	"H" (NOM)
191540004	A-245X	191540006	A-245XT	RED	.150 (3.81)	.24 (6.1)	.98 (24.9)	.20 (5.1)	.060 (1.52)	.49 (12.4)
191540015	B-231X	191540017	B-231XT	BLUE	.175 (4.45)	.27 (6.9)	1.00 (25.4)	.24 (6.1)	.080 (2.03)	
191540028	C-246X	191540030	C-246XT	YELLOW	.260 (6.60)	.36 (9.2)	1.14 (29.0)	.30 (7.6)	.125 (3.17)	.43 (10.9)



TAPE MOUNTED PARTS



NOTES:

1. MATERIALS: PVC INSULATION OVER TIN-PLATED COPPER SPLICE.
2. COLOR: SEE CHART.
3. MWID = MAXIMUM WIRE INSULATION DIAMETER
4. PARTS ARE RoHS COMPLIANT.

THIS DRAWING CONTAINS INFORMATION THAT IS PROPRIETARY TO MOLEX ELECTRONIC TECHNOLOGIES, LLC AND SHOULD NOT BE USED WITHOUT WRITTEN PERMISSION																																							
FUNCTIONAL SYMBOLS	DIMENSION UNITS		SCALE		CURRENT REV DESC: "L MAX" DIM UPDATE: .98 WAS .97 & 1.00 WAS .98																																		
	INCH/MM		NTS		<b>molex</b> BUTT SPLICE CONNECTOR, INSULKRIMP PRODUCT CUSTOMER DRAWING																																		
GENERAL TOLERANCES (UNLESS SPECIFIED)																																							
<table border="1"> <thead> <tr> <th></th> <th>MM</th> <th>INCH</th> </tr> </thead> <tbody> <tr> <td>4 PLACES</td> <td>±</td> <td>±</td> </tr> <tr> <td>3 PLACES</td> <td>±</td> <td>± 0.005</td> </tr> <tr> <td>2 PLACES</td> <td>± 0.13</td> <td>± 0.01</td> </tr> <tr> <td>1 PLACE</td> <td>± 0.25</td> <td>±</td> </tr> <tr> <td>0 PLACES</td> <td>±</td> <td>±</td> </tr> </tbody> </table>												MM	INCH	4 PLACES	±	±	3 PLACES	±	± 0.005	2 PLACES	± 0.13	± 0.01	1 PLACE	± 0.25	±	0 PLACES	±	±											
	MM	INCH																																					
4 PLACES	±	±																																					
3 PLACES	±	± 0.005																																					
2 PLACES	± 0.13	± 0.01																																					
1 PLACE	± 0.25	±																																					
0 PLACES	±	±																																					
<table border="1"> <tr> <td>EC NO: 713658</td> <td>2022/07/08</td> </tr> <tr> <td>DRWN: DMYRICK</td> <td>2022/07/11</td> </tr> <tr> <td>CHKD: THEANY</td> <td>2022/07/11</td> </tr> <tr> <td>APPR: THEANY</td> <td>2022/07/11</td> </tr> </table>										EC NO: 713658	2022/07/08	DRWN: DMYRICK	2022/07/11	CHKD: THEANY	2022/07/11	APPR: THEANY	2022/07/11																						
EC NO: 713658	2022/07/08																																						
DRWN: DMYRICK	2022/07/11																																						
CHKD: THEANY	2022/07/11																																						
APPR: THEANY	2022/07/11																																						
<table border="1"> <tr> <td colspan="2">INITIAL REVISION:</td> <td colspan="2">DOCUMENT NUMBER</td> <td>DOC TYPE</td> <td>DOC PART</td> <td>REVISION</td> </tr> <tr> <td>DRWN: ETHRODAHL</td> <td>2009/07/09</td> <td colspan="2">SD-19154-006</td> <td>PSD</td> <td>001</td> <td>A1</td> </tr> <tr> <td>APPR: JMACNEIL</td> <td>2009/07/09</td> <td colspan="2">MATERIAL NUMBER</td> <td colspan="2">CUSTOMER</td> <td>SHEET NUMBER</td> </tr> <tr> <td colspan="2">DRAFT WHERE APPLICABLE MUST REMAIN WITHIN DIMENSIONS</td> <td>THIRD ANGLE PROJECTION</td> <td>DRAWING</td> <td>SERIES</td> <td>19154</td> <td>SEE CHART</td> <td>GENERAL MARKET</td> <td>1 OF 1</td> </tr> </table>										INITIAL REVISION:		DOCUMENT NUMBER		DOC TYPE	DOC PART	REVISION	DRWN: ETHRODAHL	2009/07/09	SD-19154-006		PSD	001	A1	APPR: JMACNEIL	2009/07/09	MATERIAL NUMBER		CUSTOMER		SHEET NUMBER	DRAFT WHERE APPLICABLE MUST REMAIN WITHIN DIMENSIONS		THIRD ANGLE PROJECTION	DRAWING	SERIES	19154	SEE CHART	GENERAL MARKET	1 OF 1
INITIAL REVISION:		DOCUMENT NUMBER		DOC TYPE	DOC PART	REVISION																																	
DRWN: ETHRODAHL	2009/07/09	SD-19154-006		PSD	001	A1																																	
APPR: JMACNEIL	2009/07/09	MATERIAL NUMBER		CUSTOMER		SHEET NUMBER																																	
DRAFT WHERE APPLICABLE MUST REMAIN WITHIN DIMENSIONS		THIRD ANGLE PROJECTION	DRAWING	SERIES	19154	SEE CHART	GENERAL MARKET	1 OF 1																															