


THIS DRAWING IS UNPUBLISHED. RELEASED FOR PUBLICATION
 © COPYRIGHT - By - ALL RIGHTS RESERVED.

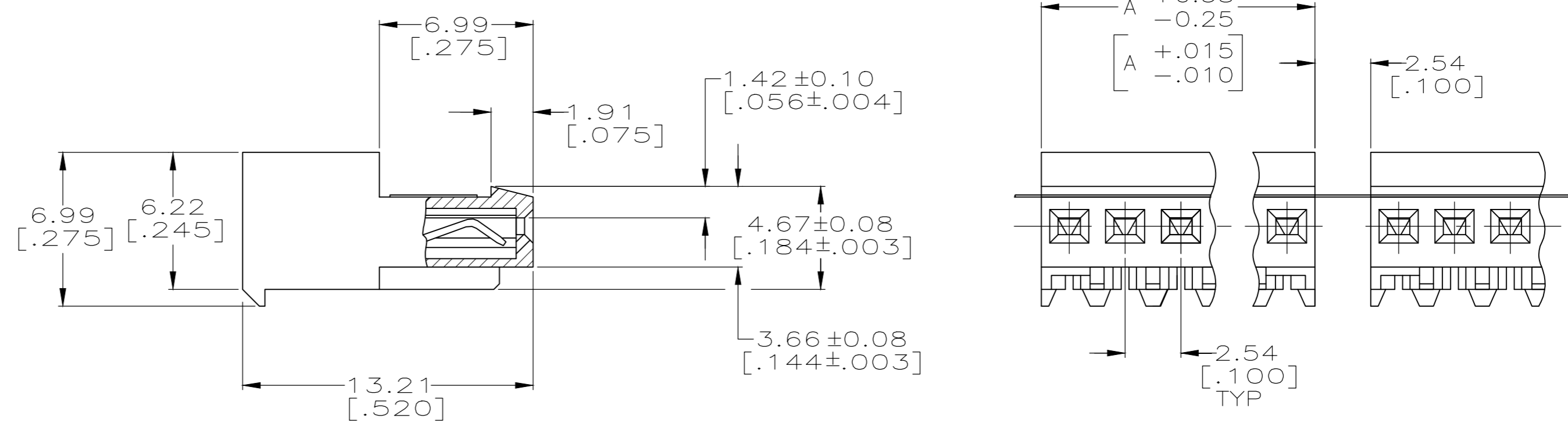
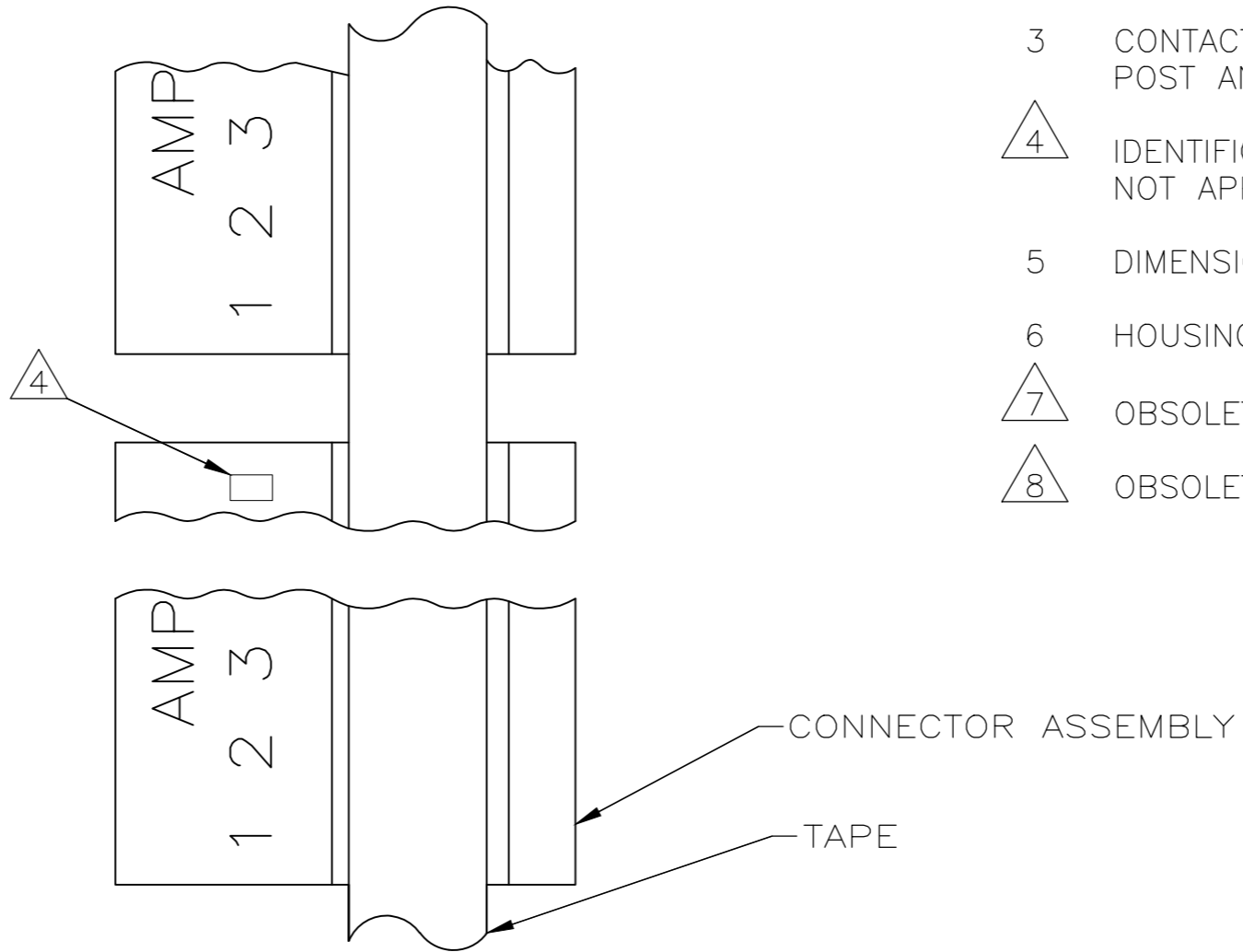
LOC	DIST	REVISIONS					
CM	00	P	LTR	DESCRIPTION	DATE	DWN	APVD
		AB		REVISED PER ECR-20-000725	20MAY2020	PC	SW




- 1 MATERIAL: CONNECTOR - NYLON UL94-V2 (BLUE)
 CONTACTS - 0.30[.012] THICK COPPER ALLOY BRIGHT TIN-LEAD 0.00203[.000080] MIN. THICK FOR CONTACTS 640470-2 THRU 2-640470-8.
 MATTE WHISKER MITIGATED TIN PLATE 0.00203[.000080] MIN. THICK OVER NICKEL UNDERPLATE FOR CONTACTS 3-640470-2 THRU 5-640470-8.
- 2 CONTACTS ACCEPT 26 AWG WIRE WITH 1.52[.060] MAX INSULATION DIAMETER.
- 3 CONTACTS MUST ACCEPT 0.64±0.03[.025±.001] SQUARE POST AND REMAIN LOCKED IN POSITION.
- 4 IDENTIFICATION NUMBER FOR LAST CIRCUIT MAY NOT APPEAR ON ALL ASSEMBLIES.
- 5 DIMENSIONS IN BRACKETS ARE IN INCHES.
- 6 HOUSING FEATURES ARE: CLOSED END WITH LOCKING RAMP
- 7 OBSOLETE PARTS: OBSOLETE CIS STREAMLINING PER D.RENAUD/D.SINISI
- 8 OBSOLETE PARTS

YES	71.12[2.800]	28	5-640470-8
YES	68.58[2.700]	27	5-640470-7
YES	66.04[2.600]	26	5-640470-6
YES	63.50[2.500]	25	5-640470-5
YES	60.96[2.400]	24	5-640470-4
YES	58.42[2.300]	23	5-640470-3
YES	55.88[2.200]	22	5-640470-2
YES	53.34[2.100]	21	5-640470-1
YES	50.80[2.000]	20	5-640470-0
YES	48.26[1.900]	19	4-640470-9
YES	45.72[1.800]	18	4-640470-8
YES	43.18[1.700]	17	4-640470-7
YES	40.64[1.600]	16	4-640470-6
YES	38.10[1.500]	15	4-640470-5
YES	35.56[1.400]	14	4-640470-4
YES	33.02[1.300]	13	4-640470-3
YES	30.48[1.200]	12	4-640470-2
YES	27.94[1.100]	11	4-640470-1
YES	25.40[1.000]	10	4-640470-0
YES	22.86[.900]	9	3-640470-9
YES	20.32[.800]	8	3-640470-8
YES	17.78[.700]	7	3-640470-7
YES	15.24[.600]	6	3-640470-6
YES	12.70[.500]	5	3-640470-5
YES	10.16[.400]	4	3-640470-4
YES	7.62[.300]	3	3-640470-3
YES	5.08[.200]	2	3-640470-2

NO	71.12[2.800]	28	2-640470-8
NO	68.58[2.700]	27	2-640470-7
NO	66.04[2.600]	26	2-640470-6
NO	63.50[2.500]	25	2-640470-5
NO	60.96[2.400]	24	2-640470-4
NO	58.42[2.300]	23	2-640470-3
NO	55.88[2.200]	22	2-640470-2
NO	53.34[2.100]	21	2-640470-1
NO	48.26[1.900]	19	1-640470-9
NO	45.72[1.800]	18	1-640470-8
NO	43.18[1.700]	17	1-640470-7
NO	40.64[1.600]	16	1-640470-6
NO	38.10[1.500]	15	1-640470-5
NO	35.56[1.400]	14	1-640470-4
NO	33.02[1.300]	13	1-640470-3
NO	30.48[1.200]	12	1-640470-2
NO	27.94[1.100]	11	1-640470-1
NO	25.40[1.000]	10	1-640470-0
NO	22.86[.900]	9	640470-9
NO	20.32[.800]	8	640470-8
NO	17.78[.700]	7	640470-7
NO	15.24[.600]	6	640470-6
NO	12.70[.500]	5	640470-5
NO	10.16[.400]	4	640470-4
NO	7.62[.300]	3	640470-3
NO	5.08[.200]	2	640470-2

SUPERSEDED 
 SUPERSEDED 
 SUPERSEDED 



THIS DRAWING IS A CONTROLLED DOCUMENT.		DWN S. CARPENTER 08AUG2003	 TE Connectivity	
DIMENSIONS: mm [INCHES]		CHK D. BOSSI 08AUG2003		
TOLERANCES UNLESS OTHERWISE SPECIFIED:		APVD D. BOSSI 08AUG2003	NAME MTA-100 CONNECTOR ASSEMBLY, 26 AWG, STANDARD, TAPE MOUNTED	
0 PLC ± 1 PLC ± 2 PLC ± 3 PLC ± 0.13 [.005] 4 PLC ± ANGLES ±		PRODUCT SPEC 108-1050	SIZE A2	CAGE CODE 00779
MATERIAL 		FINISH 	DRAWING NO C=640470	RESTRICTED TO -
CUSTOMER DRAWING		WEIGHT	SCALE 5:1	SHEET 1 of 1