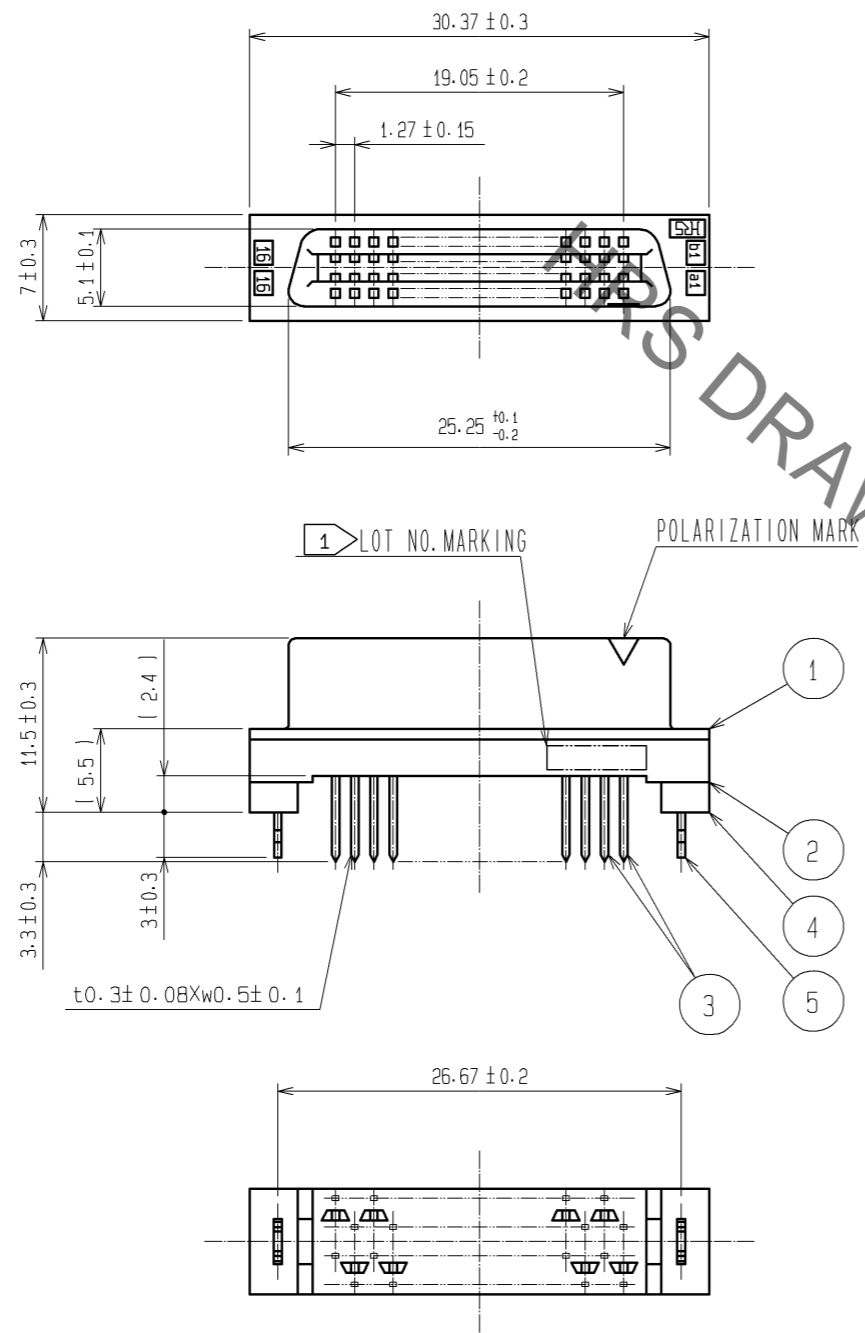
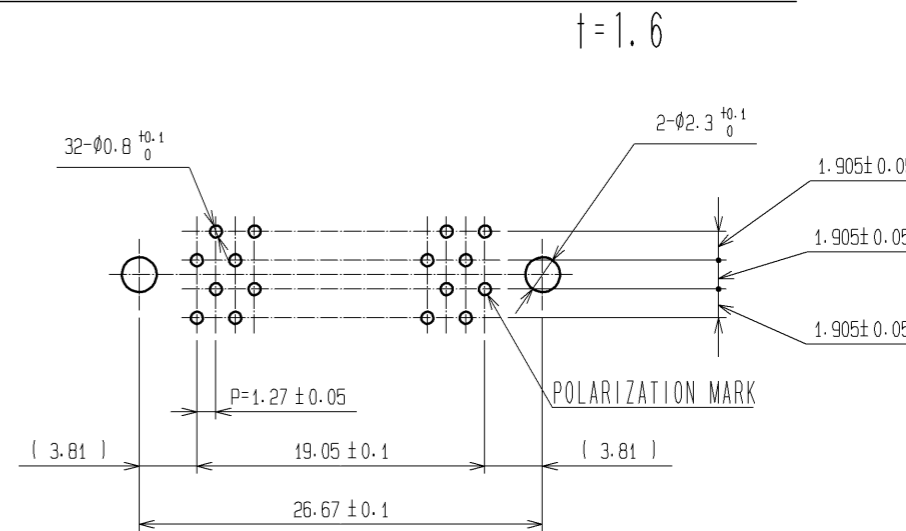


May.1.2023 Copyright 2023 HIROSE ELECTRIC CO., LTD. All Rights Reserved.
In case of consideration for using Automotive equipment / device which demand high reliability, kindly contact our sales window correspondents.



RECOMMENDED PC BOARD HOLE PATTERN (MOUNTING SIDE)



- NOTES
- LOT NO. MARKING SIDE SHALL BE OPTIONAL.
 - THE DIMENSIONS IN PARENTHESES ARE FOR REFERENCE.

5	PHOSPHOR BRONZE	TIN-PLATING	3	PHOSPHOR BRONZE	CONTACT AREA : GOLD 0.2 μm min.			
1, 2, 4	POLYAMIDE	BLACK, UL94V-0			DIP AREA : TIN-PLATING 2 μm min.			
					UNDER PLATING : NICKEL 2 μm min.			
NO.	MATERIAL	FINISH, REMARKS	NO.	MATERIAL	FINISH, REMARKS			
UNITS	⊕	SCALE	COUNT	DESCRIPTION OF REVISIONS		DESIGNED	CHECKED	DATE
mm		2 : 1	△					
HRS HIROSE ELECTRIC CO., LTD.		APPROVED : HS. OKAWA	07.08.22	DRAWING NO. EDC3-083220-21				
		CHECKED : HS. OZAWA	07.08.22	PART NO. FX2C2-32S-1.27DSAL(71)				
		DESIGNED : KY. NAKAMURA	07.08.22	CODE NO. CL572-2472-5-71				
		DRAWN : TP. MATSUMOTO	07.08.10					