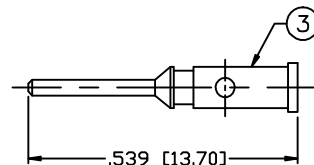
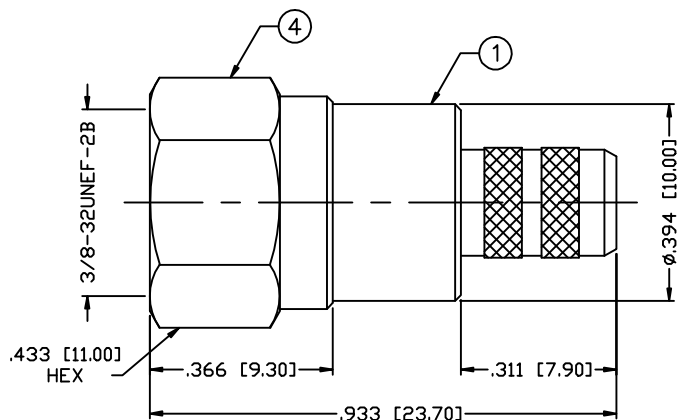


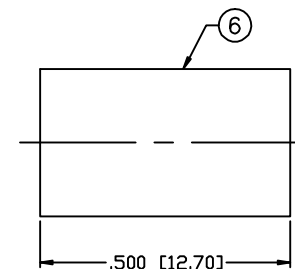
PART NO.

**RFF-1405-D1**

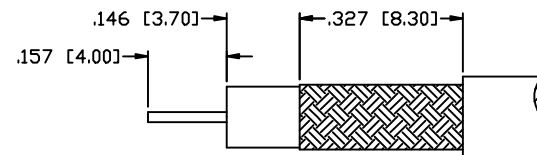
REV	DESCRIPTION	DWN	DATE	APPROVED
-	ENGINEERING RELEASE	CZS	01/13/10	JDMc



RECOMMENDED CRIMP DIE: .068"



RECOMMENDED CRIMP DIE: .255"



RECOMMENDED STRIPPING DIMENSIONS

**SPECIFICATIONS:**

IMPEDANCE: 75 Ohms  
 FREQUENCY RANGE: 0-1 GHz  
 WORKING VOLTAGE: 500 V rms max. @ sea level  
 (D1) FOR BELDEN 1426A, 1505A, 8212, 8241F, 9100, 9110, 9165, 9171, 9240, 9259, 9265, 9274, 9275, 9659, YR2393D; CommScope 5553, 5565, 5552, 5550, 5567, 5571

#	DESCRIPTION	QTY	MATERIAL	FINISH
6	FERRULE	1	BRASS	NICKEL, 100µ"
5	GROUND RING	1	BRASS	NICKEL, 100µ"
4	SHELL	1	BRASS	NICKEL, 100µ"
3	PIN	1	BRASS	GOLD, 3µ"
2	INSULATOR	1	DELTRIN	---
1	BODY	1	BRASS	NICKEL, 100µ"

CUSTOMER OUTLINE DRAWING	
ALL DIMENSIONS ARE REFERENCE ONLY	
UNLESS OTHERWISE SPECIFIED: DIMENSIONS ARE IN INCHES AND [MILLIMETERS]	
DRAWN C. ZUNIGA	06/30/10
CHECKED	
ORJ DRAWN C. ZUNIGA	06/30/10

**RoHS COMPLIANT**

PROPRIETARY AND CONFIDENTIAL

THIS DRAWING CONTAINS INFORMATION PROPRIETARY TO RF INDUSTRIES. ANY UNAUTHORIZED USE OF THIS DRAWING IS EXPRESSLY PROHIBITED WITHOUT WRITTEN PERMISSION FROM RF INDUSTRIES. ANY VIOLATION IS PUNISHABLE UNDER U.S. COPYRIGHT LAWS.

**RFconnectors** 7610 MIRAMAR RD. SAN DIEGO, CA 92126 (858) 549-6340

DIVISION OF RF INDUSTRIES, LTD. (858) 549-6345 FAX

**F PLUG, CRIMP**

SIZE A	CABLE GROUP D1	DWG NO. <b>RFF-1405-D1</b>	REV ---
SCALE: NTS	ENGINEERING ID: 008974	SHEET 1 OF 1	