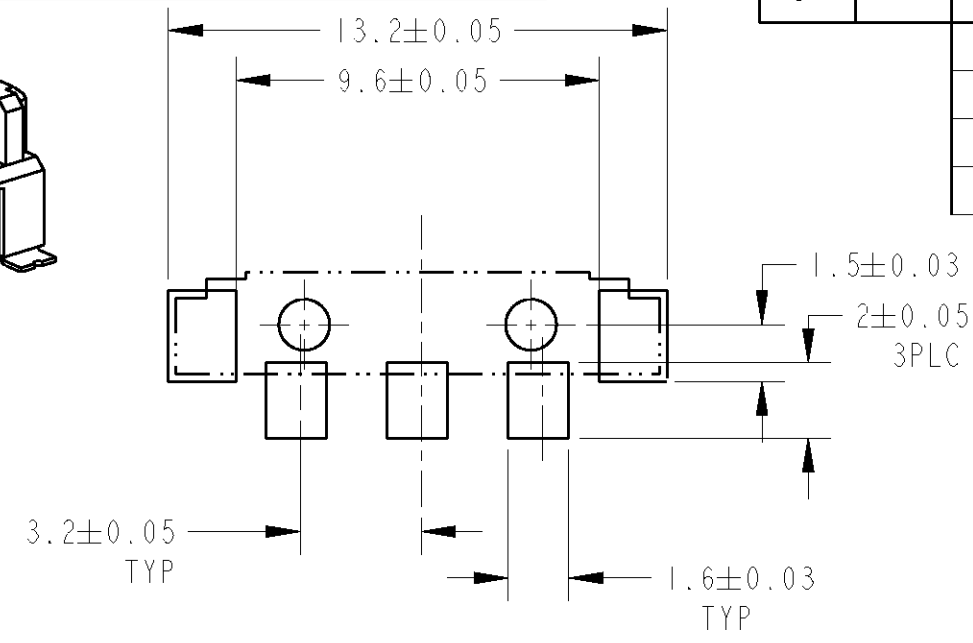
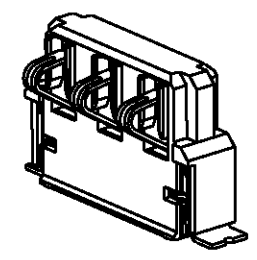
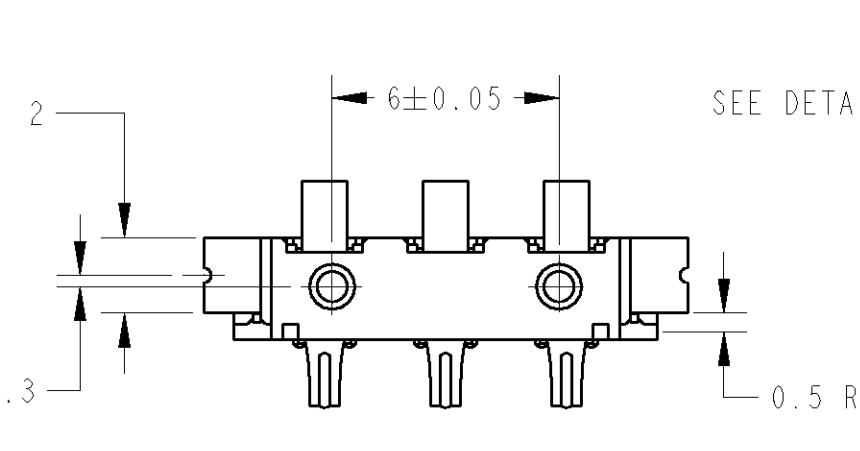
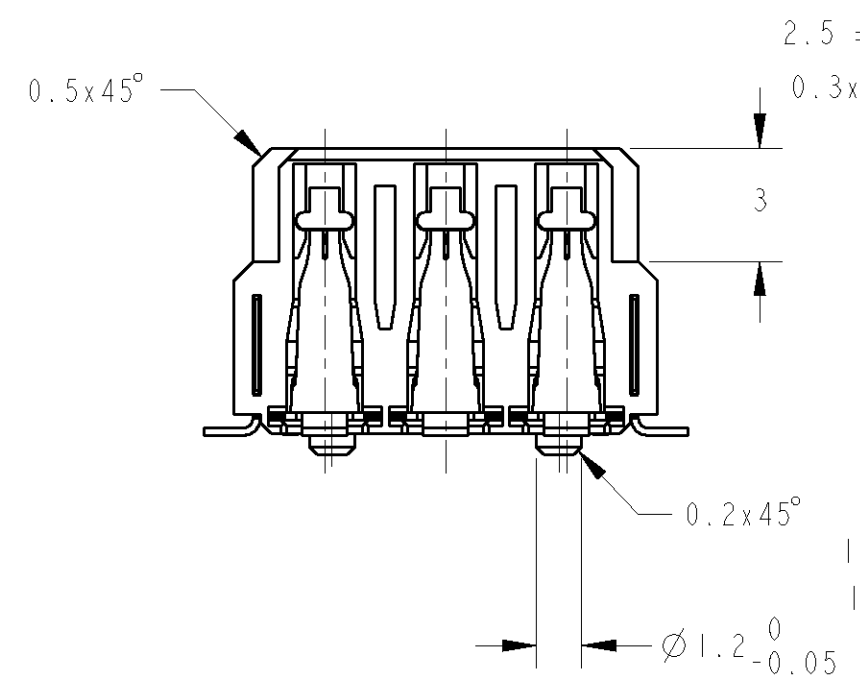
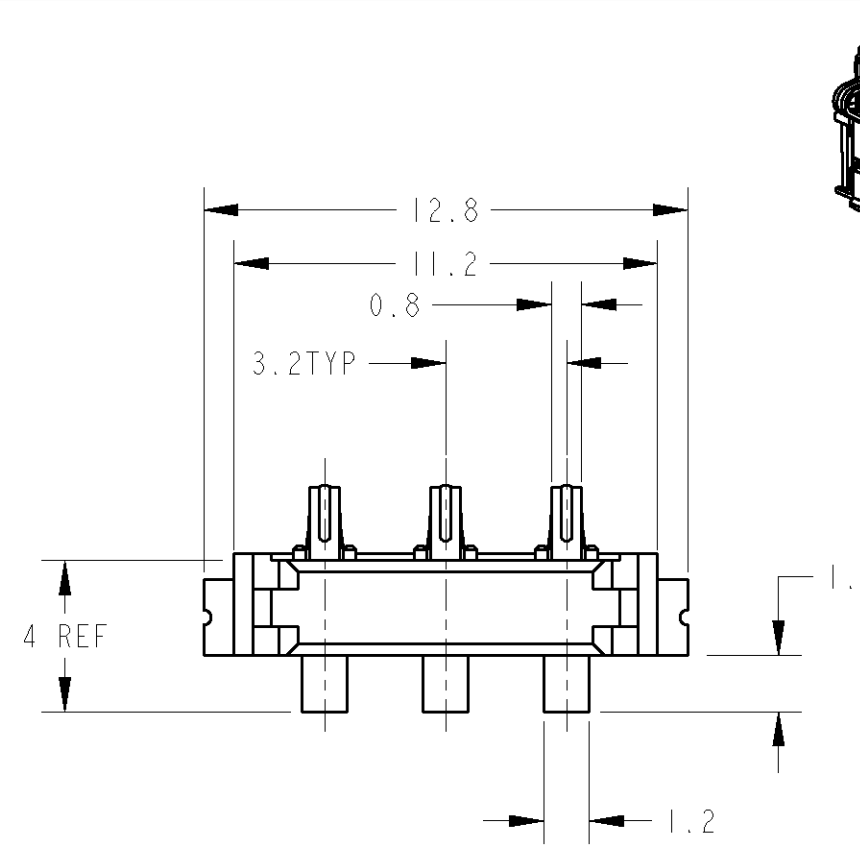
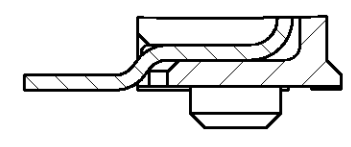


THIS DRAWING IS UNPUBLISHED.
 RELEASED FOR PUBLICATION
 20
 © COPYRIGHT 20 BY TYCO ELECTRONICS CORPORATION. ALL RIGHTS RESERVED.

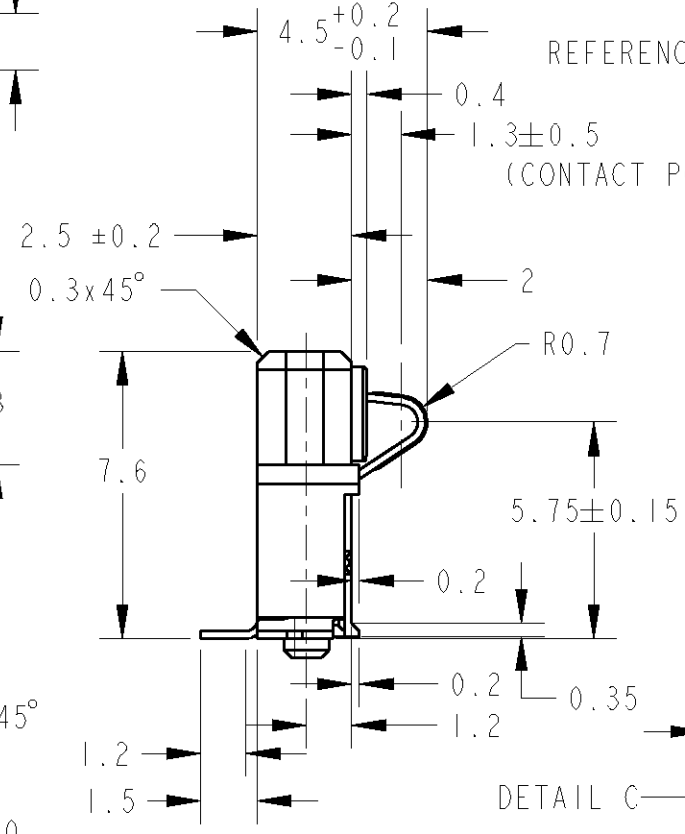
LOC	DIST	REVISIONS					
		P	LTR	DESCRIPTION	DATE	DWN	APVD
J	-		A	RELEASED	15SEP05	T.K	T.K
			AI	REVISED	17OCT05	T.K	K.K
			B	REVISED	16DEC05	T.K	K.K
			C	REVISED	29JAN2007	M.O	Y.Y



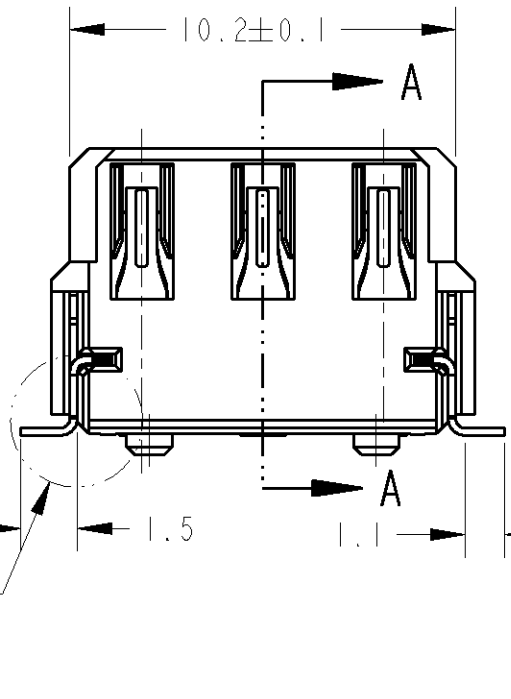
参考基板取付寸法
 REFERENCE P.C BOARD LAYOUT
 (SCALE 5:1)
 (CONTACT POSITION)



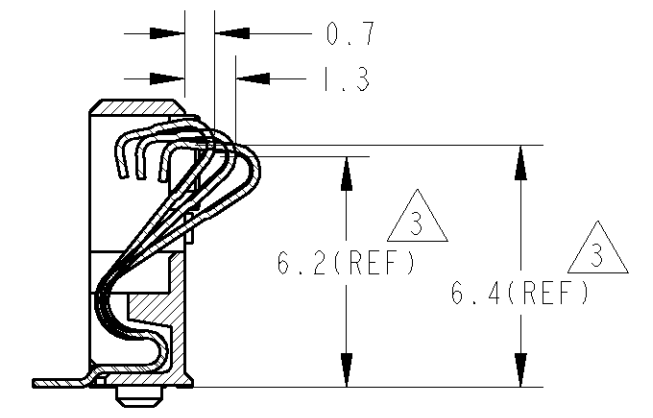
DETAIL B
 SCALE 10:1



DETAIL C



DETAIL C
 SCALE 10:1



ストローク時参考寸法
 ① 材料
 コンタクト: 銅合金
 ハウジング: 6Tナイロン, UL94V-0, 黒
 ソルダープグ: 銅合金
 ② 仕上げ
 コンタクト: ニッケル下地めっき1.27µm以上
 接点部 金めっき1µm以上
 半田付け部: 金フラッシュめっき0.05~0.13µm
 ソルダープグ: ニッケル下地めっき1µm以上
 錫めっき1µm以上
 ③ ストローク時接点位置 (ワイピング量) は相手側パッドとの摩擦係数に依存する。
 4. コプラナリティ 0.1MAX.

① MATERIAL
 CONTACT: COPPER ALLOY
 HOUSING: 6T PA UL94V-0, BLACK
 SOLDER PEG: COPPER ALLOY
 ② FINISH
 CONTACT: NICKEL ALL OVER UNDER PLATING,
 THK. 1.27µm MIN.
 GOLD PLATING AT CONTACT AREA,
 THK. 1µm MIN.
 GOLD FLASH PLATING AT LEAD AREA,
 THK. 0.05~0.13µm.
 SOLDER PEG: NICKEL ALL OVER UNDER PLATING,
 THK. 1µm MIN.
 TIN PLATING, THK. 1µm MIN.
 ③ DEPEND ON FRICTION COEFFICIENT
 AGAINST PAD OF BATTERY PACK.
 4. COPLANARITY 0.1MAX.

- 1 : AS SHOWN

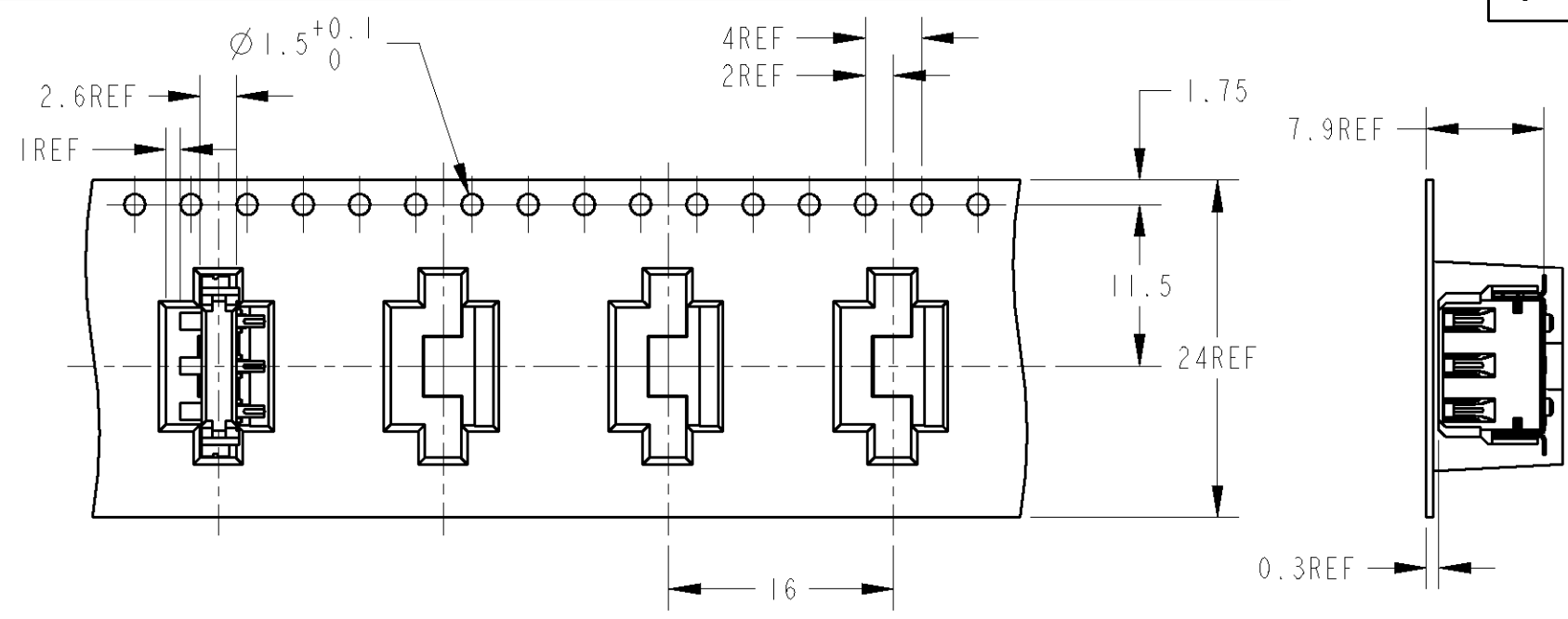
THIS DRAWING IS A CONTROLLED DOCUMENT FOR TYCO ELECTRONICS CORPORATION
 IT IS SUBJECT TO CHANGE AND THE CONTROLLING ENGINEERING ORGANIZATION
 SHOULD BE CONTACTED FOR THE LATEST REVISION.

DIMENSIONS: 単位: 概 mm	TOLERANCES UNLESS OTHERWISE SPECIFIED: 一般公差 ±0.3 0-PLC ± 1-PLC ±0.1 2-PLC ±0.01 3-PLC ±0.001 4-PLC ±0.0001 ANGLES ±3°	DWN T.KATANO 15SEP05 CHK T.KIMURA 15SEP05 APVD T.KIMURA 15SEP05	PRODUCT SPEC 108-5956 APPLICATION SPEC 取付適用規格
MATERIAL 材料	FINISH 仕上	WEIGHT 0.31g	CUSTOMER DRAWING

Tyco Electronics		Tyco Electronics AMP K.K. Kawasaki, Japan	
NAME 名称 LEAF TYPE BATTERY CONNECTOR 3POS.			
SIZE A3	CAGE CODE 00779	DRAWING NO C=1827928	RESTRICTED TO
SCALE 尺度 5:1		SHEET 1 OF 2	REV C

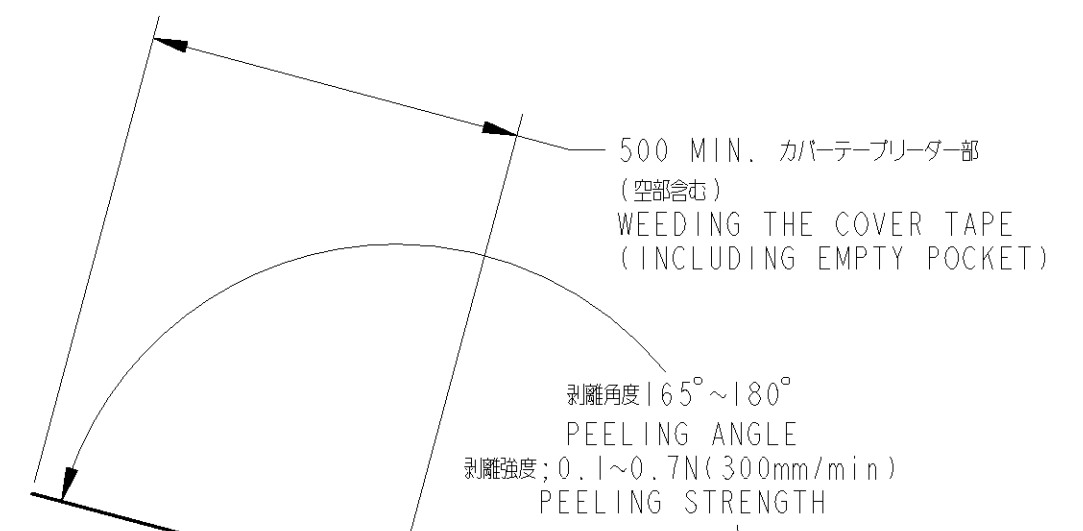
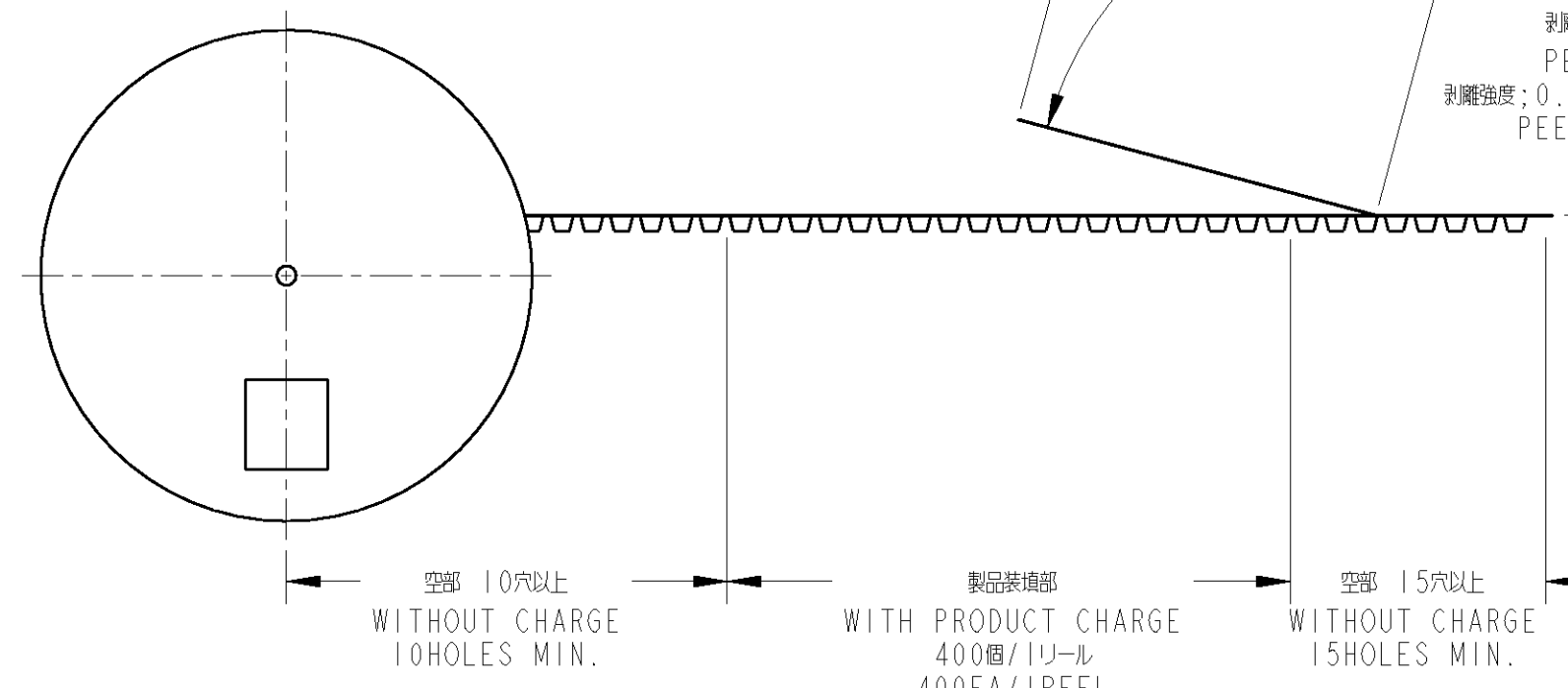
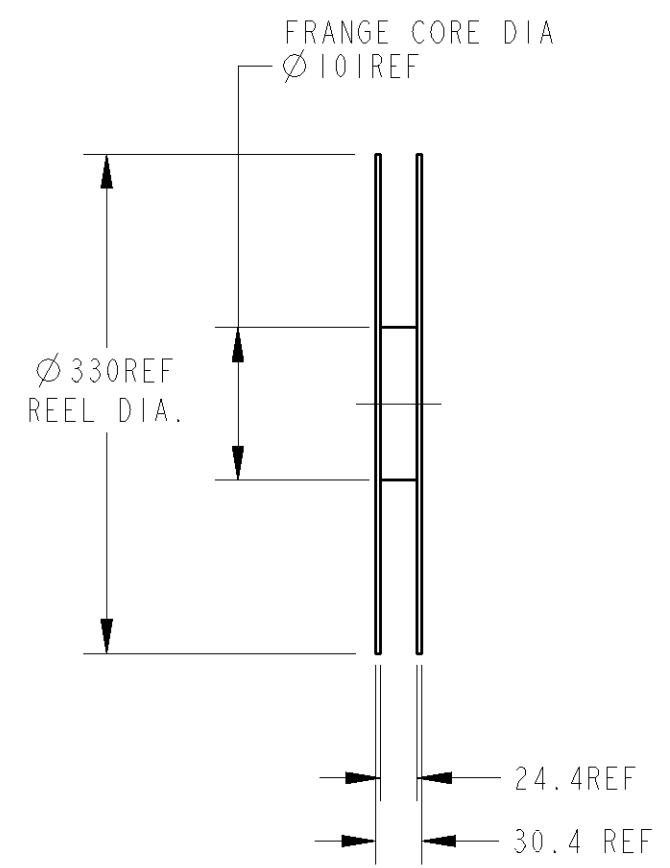
THIS DRAWING IS UNPUBLISHED. RELEASED FOR PUBLICATION 20
 © COPYRIGHT 20 BY TYCO ELECTRONICS CORPORATION. ALL RIGHTS RESERVED.

LOC	DIST	REVISIONS					
J	-	P	LTR	DESCRIPTION	DATE	DWN	APVD
		-		SEE SHEET 1	-	-	-



- | ; AS SHOWN
 - | ; 本図

SCALE 2:1



THIS DRAWING IS A CONTROLLED DOCUMENT FOR TYCO ELECTRONICS CORPORATION IT IS SUBJECT TO CHANGE AND THE CONTROLLING ENGINEERING ORGANIZATION SHOULD BE CONTACTED FOR THE LATEST REVISION.

DIMENSIONS: 単位: 概 mm	TOLERANCES UNLESS OTHERWISE SPECIFIED: 一般公差 ±0.3 0-PLC ± 1-PLC ±0.1 2-PLC ±0.01 3-PLC ±0.001 4-PLC ±0.0001 ANGLES ±3°
MATERIAL 材料	FINISH 仕上

DWN T. KATANO	15SEP05
CHK T. KIMURA	15SEP05
APVD T. KIMURA	15SEP05
PRODUCT SPEC 製品規格	108-5956
APPLICATION SPEC 取付適用規格	-
WEIGHT	0.31g

Tyco Electronics		Tyco Electronics AMP K.K. Kawasaki, Japan	
NAME 名称 LEAF TYPE BATTERY CONNECTOR 3POS.			
SIZE A3	CAGE CODE 00779	DRAWING NO 番号 C-1827928	RESTRICTED TO -
CUSTOMER DRAWING		SCALE 尺度 NON	SHEET 2 OF 2 REV C