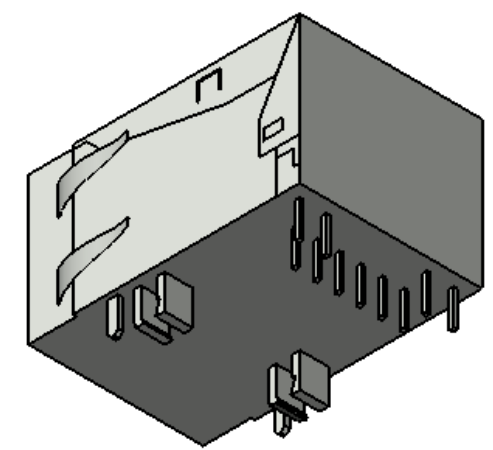
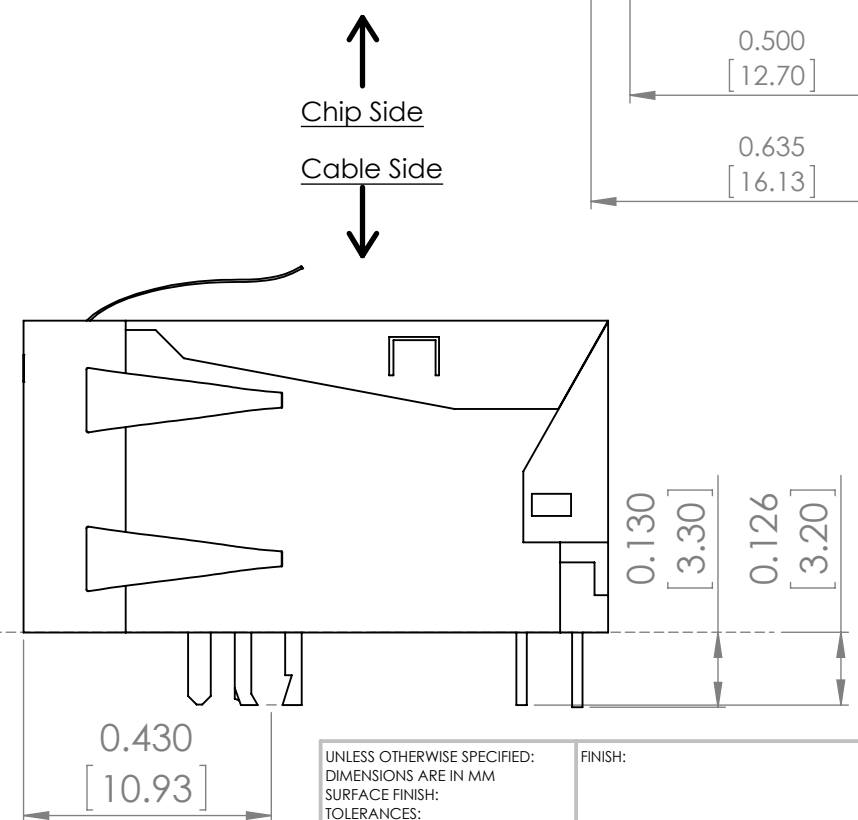
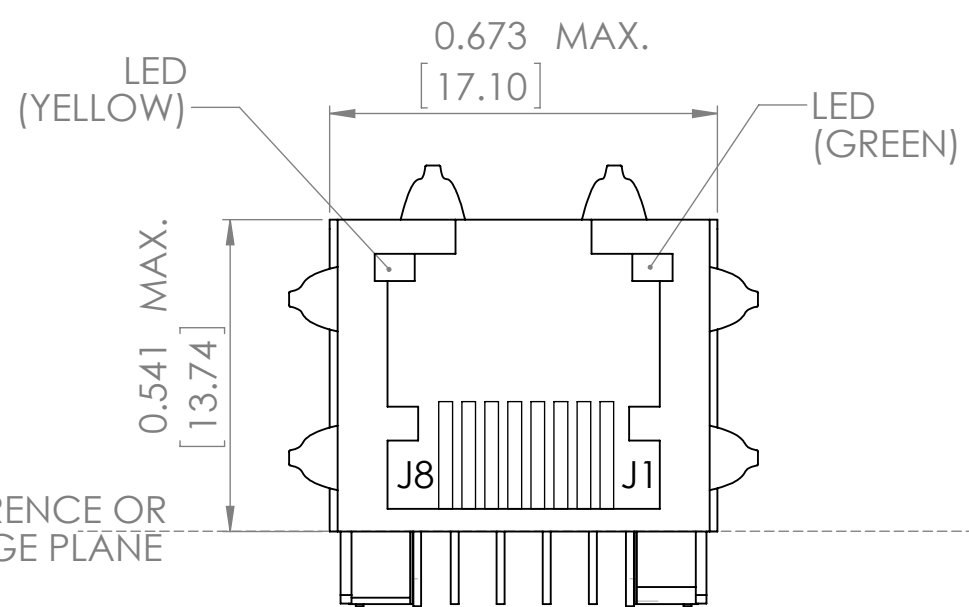
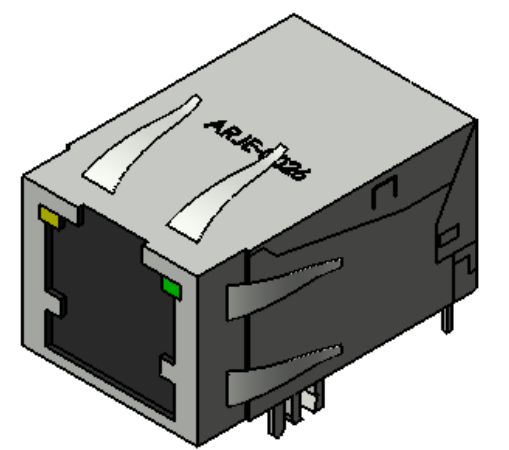
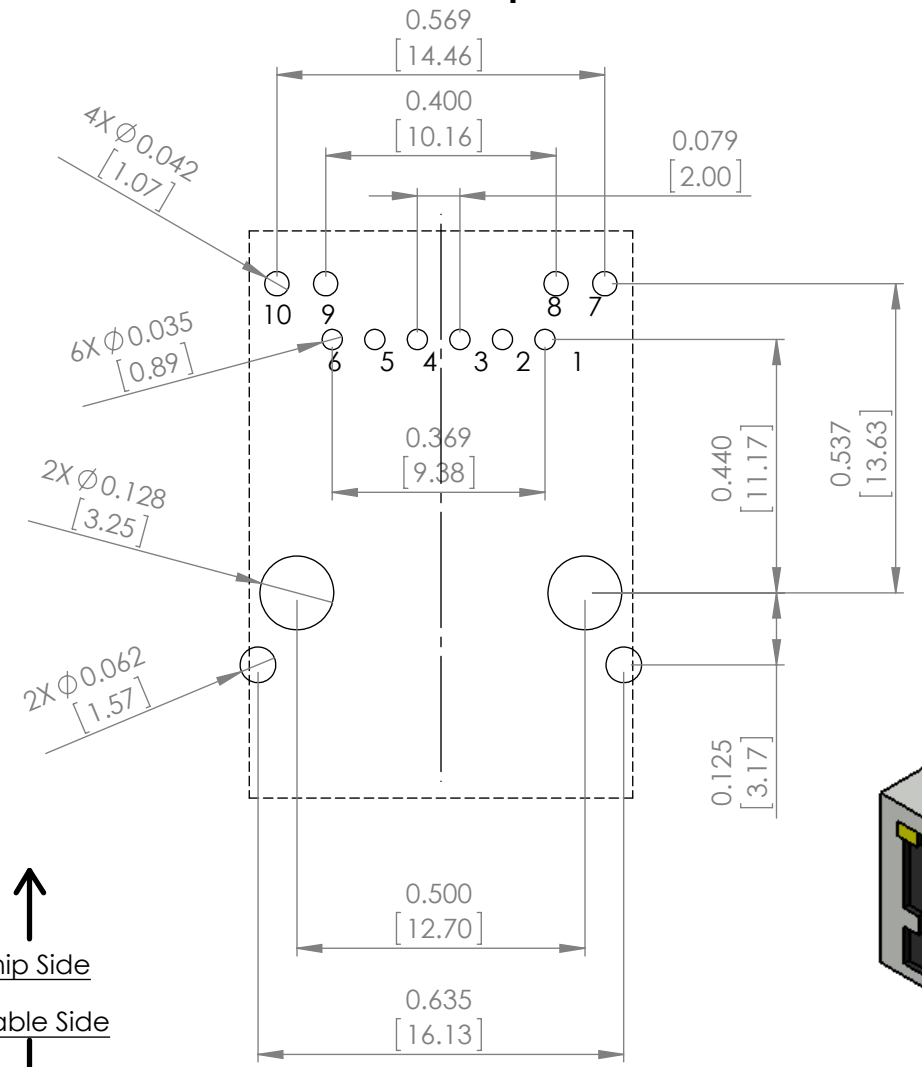
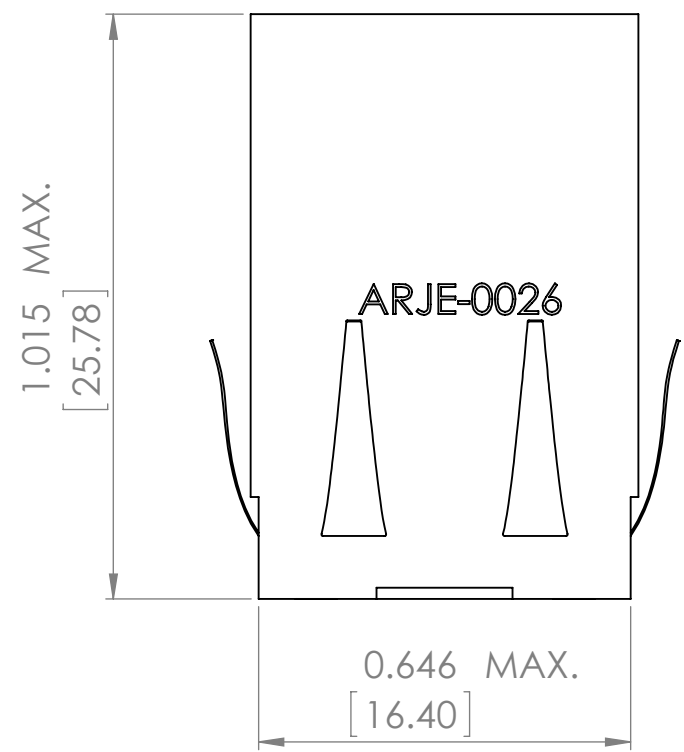
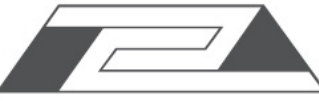


**Recommended hole pattern
Viewed from component side**



REFERENCE OR GAUGE PLANE

UNLESS OTHERWISE SPECIFIED: DIMENSIONS ARE IN MM SURFACE FINISH: TOLERANCES: LINEAR: ANGULAR:				FINISH:		DEBUR AND BREAK SHARP EDGES	
NAME	SIGNATURE	DATE					
DRAWN	SAAZVAT						
CHK'D	XXXXXX						
APPV'D							
MFG							
Q.A					MATERIAL:		
					WEIGHT:		

DO NOT SCALE DRAWING		REVISION	
 ABRACON CORPORATION 30332 Esperanza, Rancho Santa margarita, California 92688		TITLE: RJ45	
		DWG NO. ARJE-0026	A3
SCALE:3:1		SHEET 1 OF 1	