

PART NAME

NEMA 4X PLASTIC BOX w/EXTERNAL MTG. BRKT.

PART No.

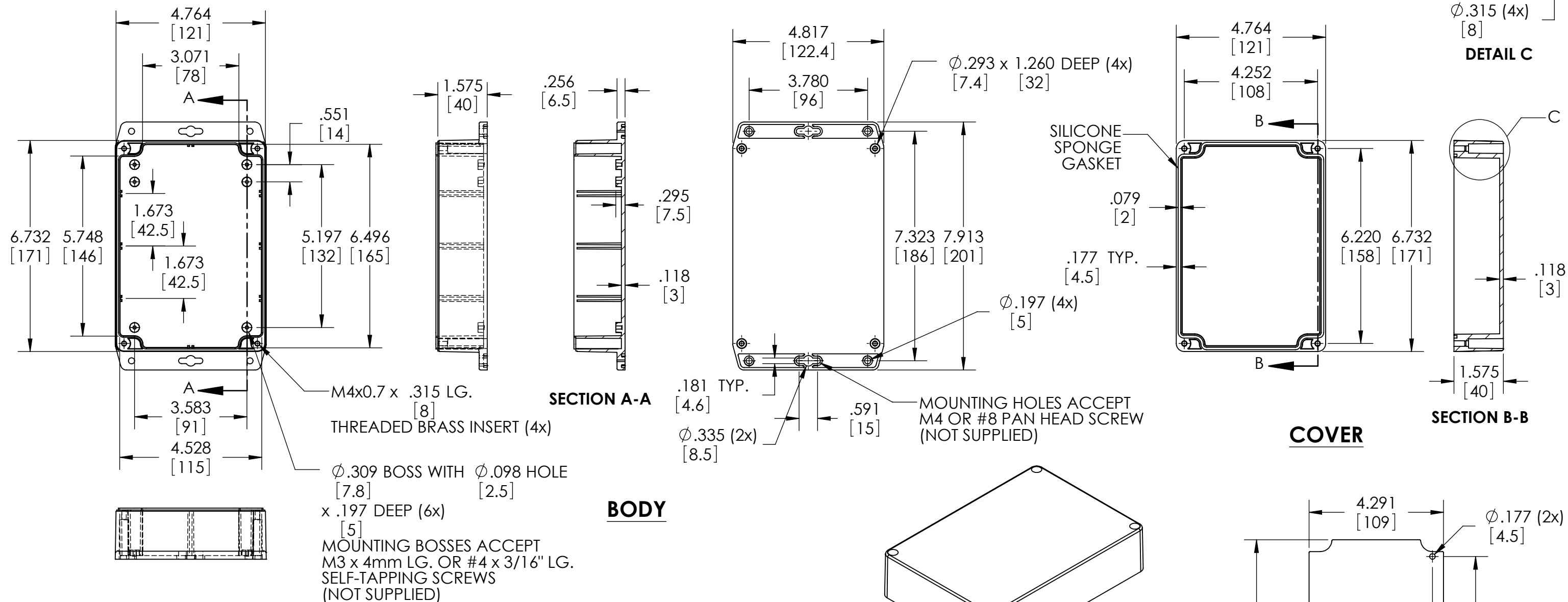
PN-1327-MB PN-1327-CMB PN-1327-DGMB

REVISION DATE

5-26-11

MATERIAL & FINISH:

(-MB SUFFIX PART NO.) POLYCARBONATE UL94-HB, UV STABILIZED, SERVICE TEMPERATURE RANGE: -40°C TO +120°C, LIGHT GRAY BODY & COVER.
 (-CMB SUFFIX PART NO.) SAME AS -MB EXCEPT CLEAR COVER.
 (-DGMB SUFFIX PART NO.) ABS UL94-HB, SERVICE TEMPERATURE RANGE: -40°C TO +80°C, DARK GRAY BODY & COVER.



NOTES:

- FOUR (4) M4x0.7 x 20mm (.787") LG. STAINLESS STEEL SCREWS SUPPLIED FOR ASSEMBLY OF COVER TO BODY.
- BOXES DESIGNED TO MEET FOLLOWING STANDARDS:
NEMA 1, 2, 4, 4X, 12, 13 AND IEC529-IP65 REQUIREMENTS.
- ALL HOLE DIAMETERS HAVE $\pm .005$ [.12] TOLERANCE.
ALL OTHER DIMENSIONS HAVE $\pm .015$ [.38] TOLERANCE.
- ALL OUTSIDE DRAFT ANGLE: 1°
ALL INSIDE DRAFT ANGLE: 1/2°

