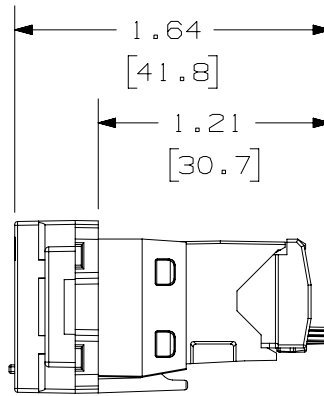
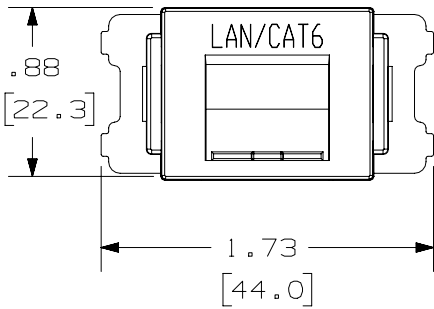
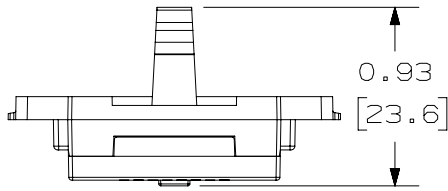


THIS COPY IS PROVIDED ON A RESTRICTED BASIS AND IS NOT TO BE USED IN ANY WAY DETRIMENTAL TO THE INTERESTS OF PANDUIT CORP.

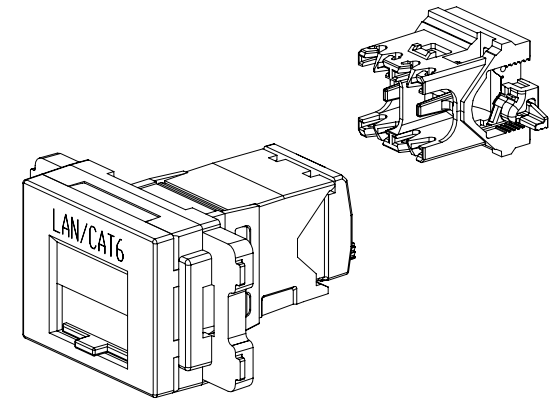
PANDUIT P/N	WEIGHT
JA0SSP6TG**	.28 LB/10 PCS (127 g/10 PCS)



VIEW SHOWN WITH A STANDARD TERMINATION CAP.

NOTES:

1. SEE PANDUIT WEBSITE FOR ADDITIONAL PART NUMBER SUFFIXES TO INDICATE COLOR AND OR PACKAGE QUANTITY.
2. SEE PANDUIT WEBSITE FOR COMPLETE LIST OF PARTS APPLICABLE FOR USE WITH THIS PART.
3. DIMENSIONS IN PARENTHESES ARE IN METRIC.
4. PART INCLUDES:
  - 1- ADAPTER WITH OPAQUE DOOR AND LAN/CAT6 PRINT
  - 1- MINI-COM CAT6 JACK MODULE
  - 1- RIGHT ANGLE TERMINATION CAP



TITLE						MINI-COM 1 POSITION JIS SPRING SHUTTERED ADAPTER KIT					
						CUSTOMER DRAWING					
ITEM REVISION NAME						M02079CB/02					
DATASET FILE NAME						M02079CB_DC/02A					
UNLESS OTHERWISE SPECIFIED, DIMENSIONAL TOLERANCES ARE: IN [mm]						<b>PANDUIT</b> MATERIAL: ADAPTER- ABS DOOR- ABS SPRING- SPRING STEEL					
.x ± .1 [ 2.54 ]      .xxx ± .005 [ .127 ] .xx ± .01 [ .25 ]      ANGLES ± 5 °											
DRAWN BY						DATE		CHK		SCALE	
MDJR						6/29/16		MMR		NONE	
THIRD ANGLE PROJECTION						DRAWING NUMBER:		02079CB-01			
REV						DATE		BY		CHK	
DESCRIPTION						ECN		SHT 1 OF 1		SIZE	
										A	

D101000DA/14