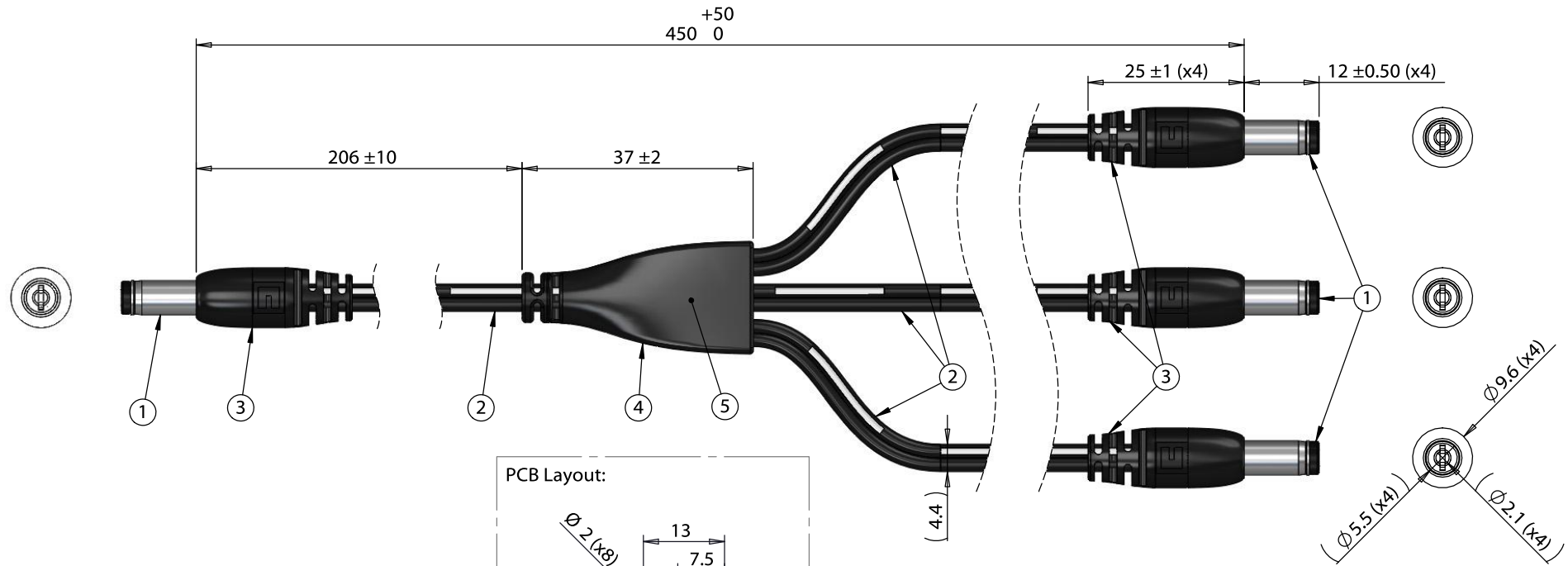


| ITEM NO. | PART NUMBER | DESCRIPTION | QTY. | COMPONENT NOTES |
|----------|-------------|--|------|-----------------|
| 1 | 50-00024 | Connector, dc plug, 5.5x2.1xL23 mm, molding style, spring contacts | 4 | |
| 2 | 30-00007 | Wire, 2C BC, 18 AWG, UL2468, 300V, 80C, 4.4 mm, VW-1, PVC, 87A | 4 | |
| 3 | 24-00003 | Overmold, PVC | 4 | black |
| 4 | 24-00186 | Overmold, splitter, Ø 8.0 mm by 10.0x18.0 mm | 1 | black |
| 5 | PCB | Splitter PCB, FR4, two-layer, tin, 13.0x13.0x1.6 mm | 1 | |



| Wiring Diagram | | |
|----------------|-------------------|----------|
| 50-00024 | wire color | 50-00024 |
| center | black with stripe | center |
| sleeve | black | sleeve |

Notes:
Functionally equivalent components may be substituted

| | | | | | |
|-------------|-----------------|------------------------------|--|--|---|
| Revision: A | Date: 4/12/2018 | Description: Initial release | Prepared: JP Digitally signed by JP Date: 2018.04.12 15:47:15 -07'00' | Notes: RoHS compliant | TENSILITY tel 1.541.323.3228 800 877.670.7118 fax 1.541.323.4202 web tensility.com |
| | | | Verified: AG Digitally signed by AG Date: 2018.04.16 16:18:32 -07'00' | Function test: no open, no short circuit, no intermittent | |
| | | | Dimensions are in millimeters. Tolerances: X: ± 0.5 mm X.X: ± 0.3 mm X.XX: ± 0.05 mm | Description: Cable, 450 mm, 5.5x2.1x12 mm 50-00024 dc plug to y-split to 3x 5.5x2.1x12 mm dc plug, 18 AWG, UL2468 | Size: A Part number: 10-02744 |
| | | | | | Scale: 1:1 Sheet 1 of 1 |