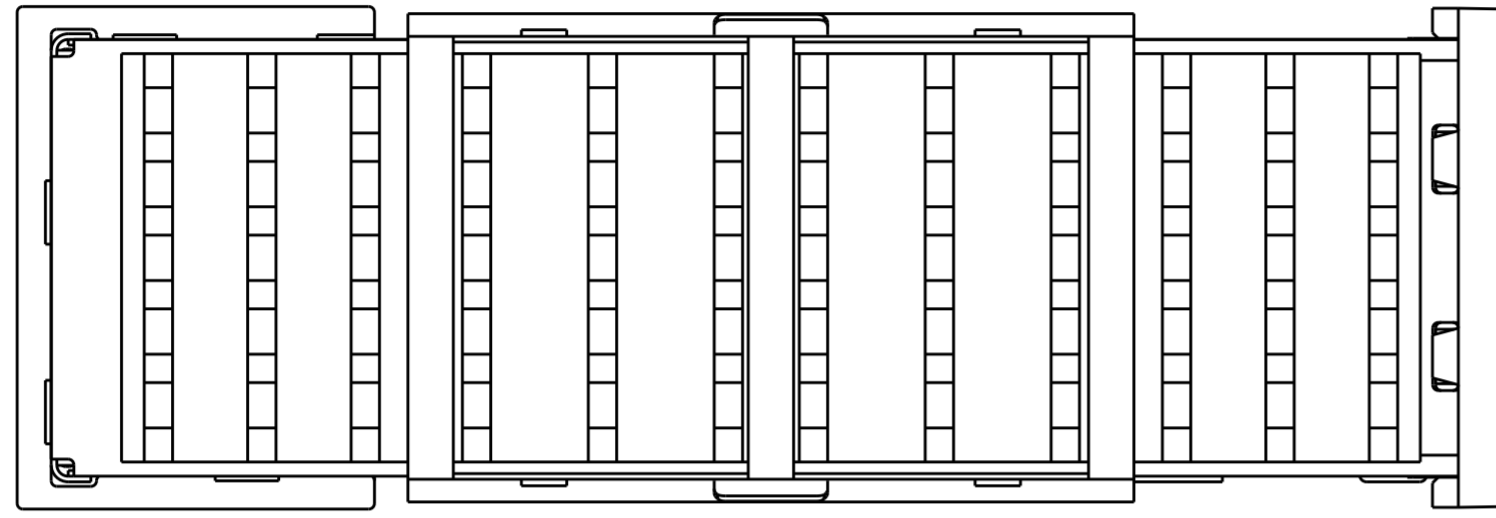
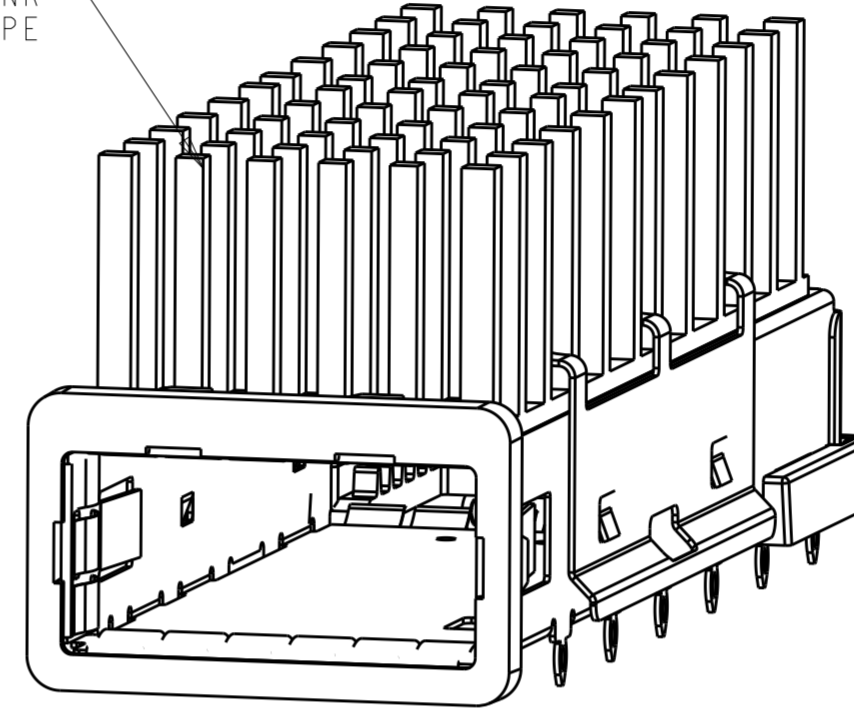


THIS DRAWING IS UNPUBLISHED. RELEASED FOR PUBLICATION 20
 © COPYRIGHT 20 BY - ALL RIGHTS RESERVED.

LOC	DIST	REVISIONS					
GP	00	P	LTR	DESCRIPTION	DATE	DWN	APVD
		D	I	REVISED PER ECR-17-012071	17AUG2017	IT	SH
		E		REVISED PER ECO-19-018836	12OCT2019	JY	SH

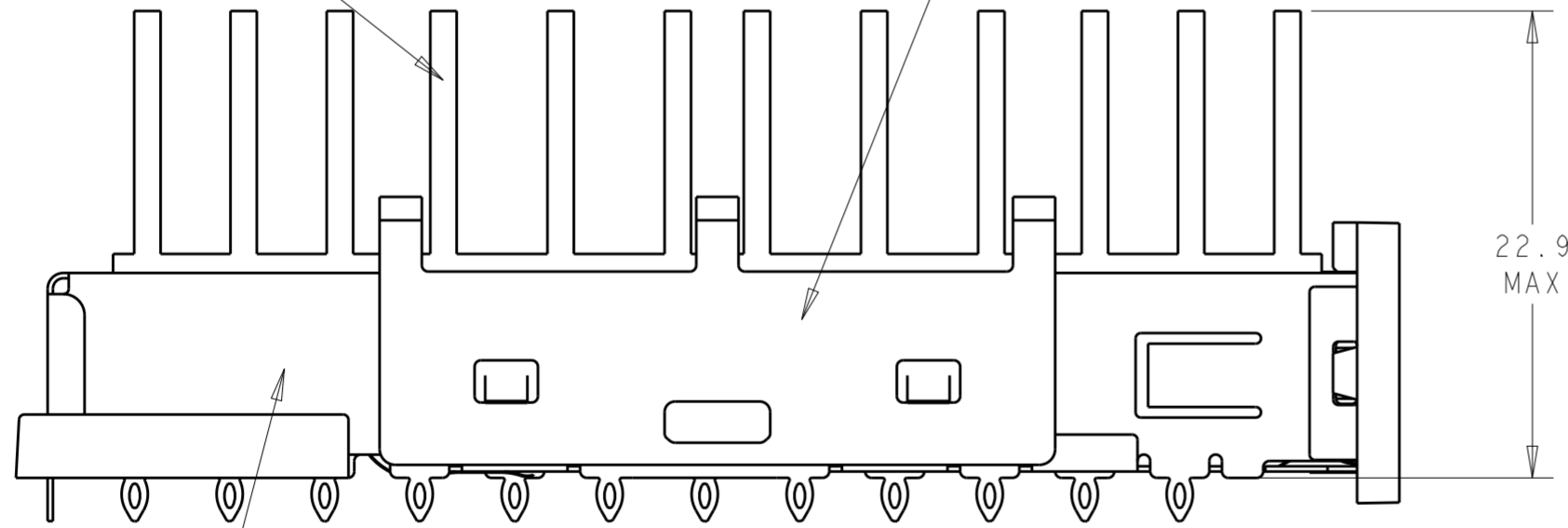


XFP HEAT SINK
PIN TYPE

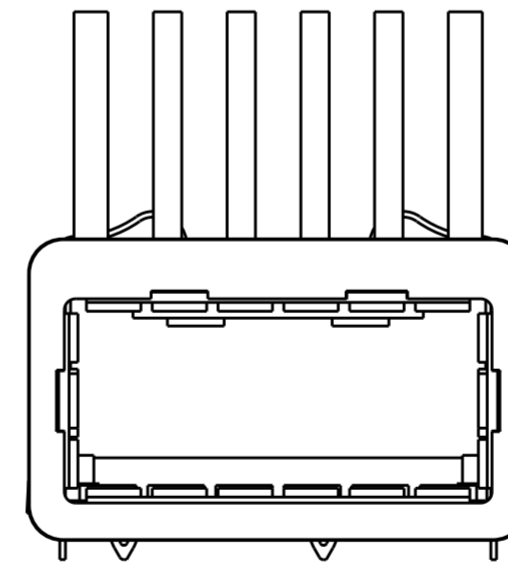


1888065-1
SCALE 3:1

XFP HEAT SINK XFP HEAT SINK CLIP



XFP CAGE ASSEMBLY



NOTE

- MATES WITH XFP MSA COMPLIANT TRANSCEIVERS.
- SEE COMPONENT DRAWINGS FOR COMPONENT DIMENSIONS AND INFORMATION.

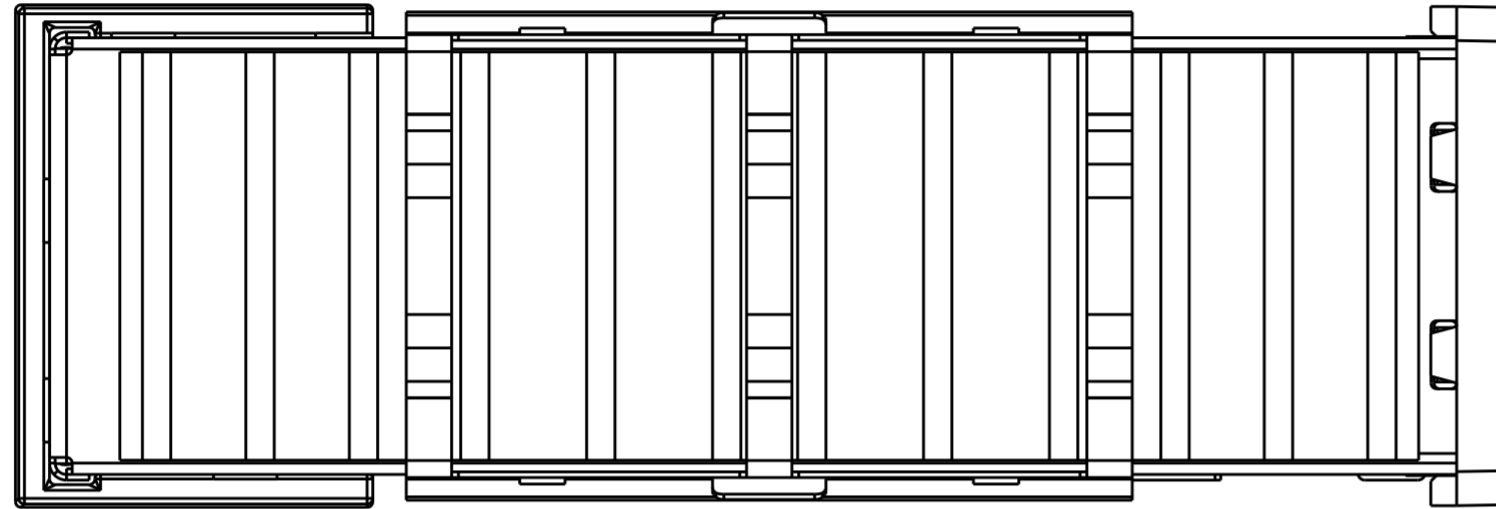
ANODIZE BLACK	2363937-2	1489948-2	1489951-1	CUSTOMIZED	1888065-3
ANODIZE BLACK	2170391-2	1489948-2	1489951-1	NETWORKING	1888065-2
NICKEL PLATING	1542706-3	1489948-2	1489951-1	NETWORKING	1888065-1
HEAT SINK FINISH	HEAT SINK PART NUMBER	HEAT SINK CLIP PART NUMBER	CAGE ASSEMBLY PART NUMBER	APPLICATION	PART NUMBER

THIS DRAWING IS A CONTROLLED DOCUMENT.

DWN B. MCMASTER 24MAY06	TE Connectivity
CHK J. KOPPENHEFFER 24MAY06	
APVD J. KOPPENHEFFER 24MAY06	
PRODUCT SPEC 108-2127	
APPLICATION SPEC 114-13096	NAME XFP KIT ASSEMBLY
WEIGHT -	SIZE CAGE CODE DRAWING NO RESTRICTED TO
CUSTOMER DRAWING	A200779 C-1888065
SCALE 3:1	SHEET 1 OF 3
REV E	

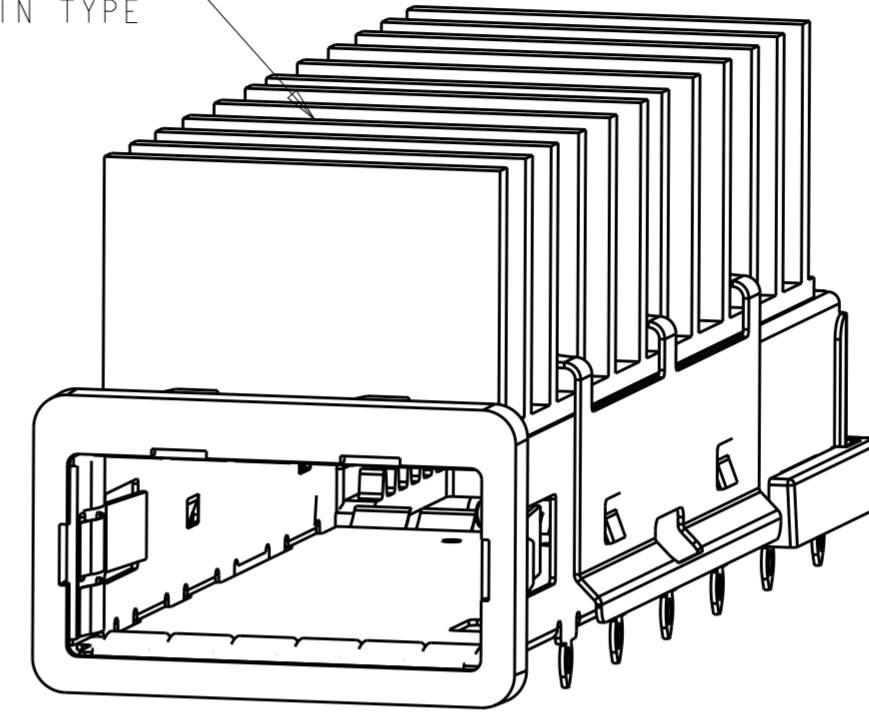
THIS DRAWING IS UNPUBLISHED. RELEASED FOR PUBLICATION 20
 © COPYRIGHT 20 BY - ALL RIGHTS RESERVED.

LOC	DIST	REVISIONS			
P	LTR	DESCRIPTION	DATE	DWN	APVD
GP	00	-	SEE SHEET 1	-	-

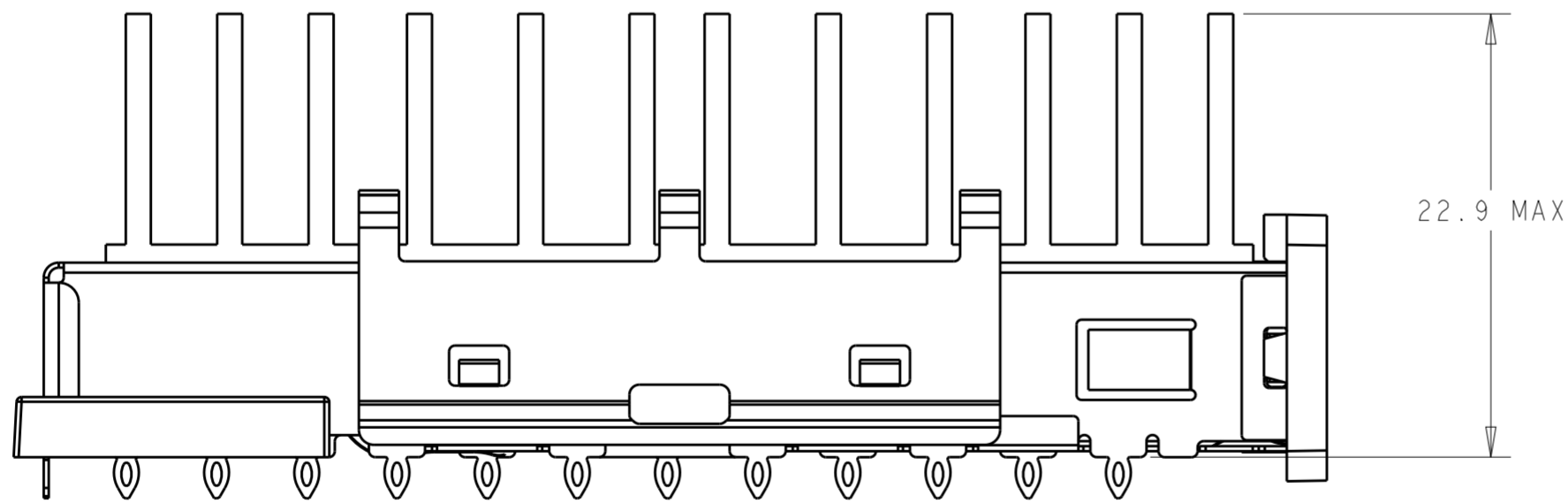


SCALE 3:1

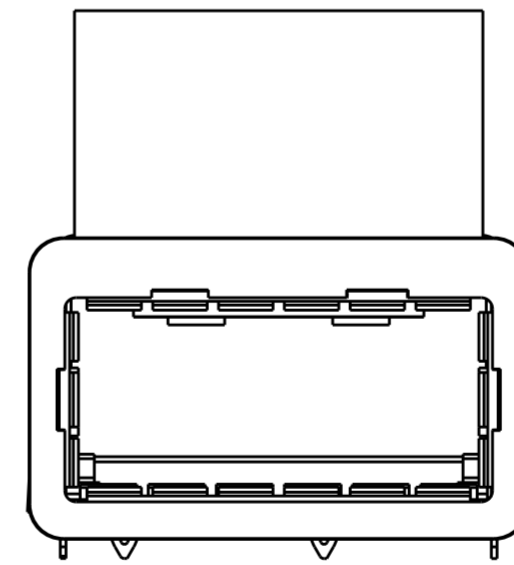
XFP HEAT SINK
FIN TYPE



1888065-2
SCALE 3:1



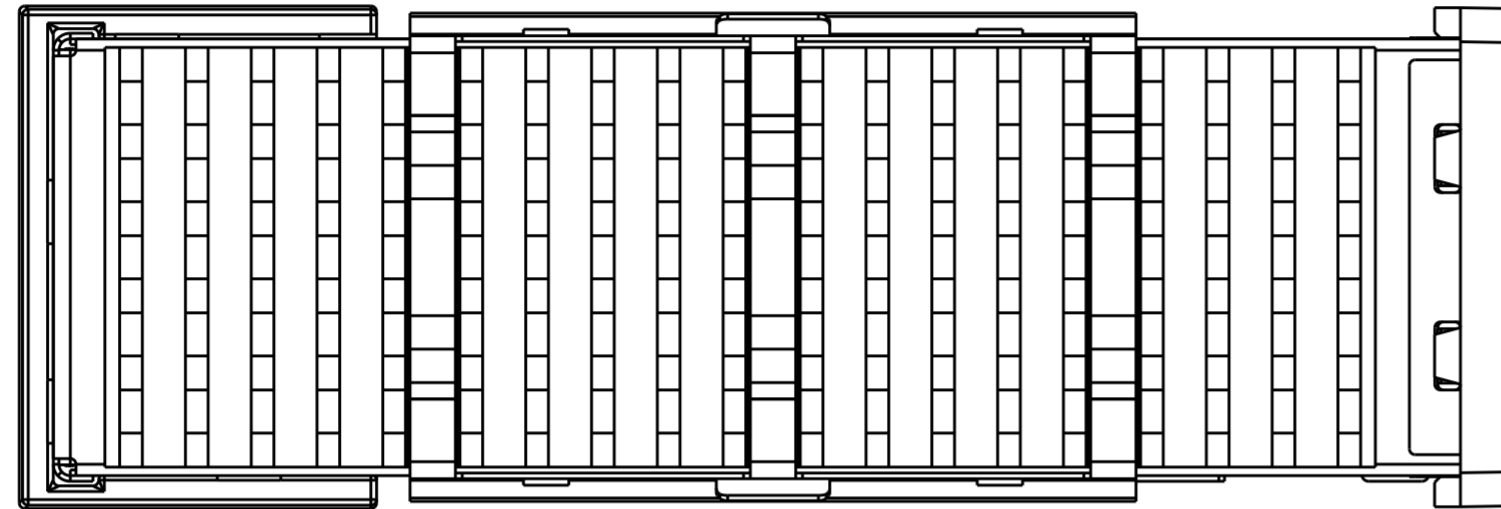
22.9 MAX



THIS DRAWING IS A CONTROLLED DOCUMENT.		DWN B. MCMASTER	24MAY06	STE TE Connectivity			
DIMENSIONS:		CHK J. KOPPENHEFFER	24MAY06				
TOLERANCES UNLESS OTHERWISE SPECIFIED:		APVD J. KOPPENHEFFER	24MAY06				
mm		PRODUCT SPEC	NAME XFP KIT ASSEMBLY				
0 PLC	±	108-2127	APPLICATION SPEC	SIZE	CAGE CODE	DRAWING NO	RESTRICTED TO
1 PLC	±	114-13096	WEIGHT	A200779	C-1888065		
2 PLC	±	CUSTOMER DRAWING	SCALE	3:1	SHEET	2	OF 3
3 PLC	±		REV	E			
4 PLC	±						
ANGLES	±						
FINISH							

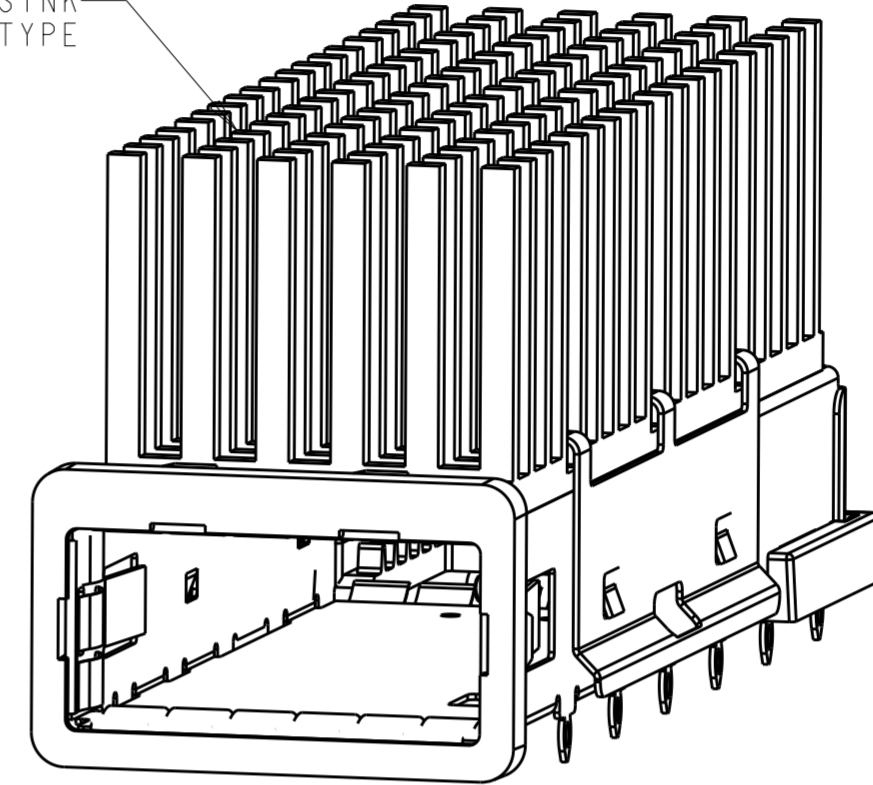
THIS DRAWING IS UNPUBLISHED. RELEASED FOR PUBLICATION 20
 © COPYRIGHT 20 BY - ALL RIGHTS RESERVED.

LOC	DIST	REVISIONS					
GP	00	P	LTR	DESCRIPTION	DATE	DWN	APVD
		-		SEE SHEET 1	-	-	-

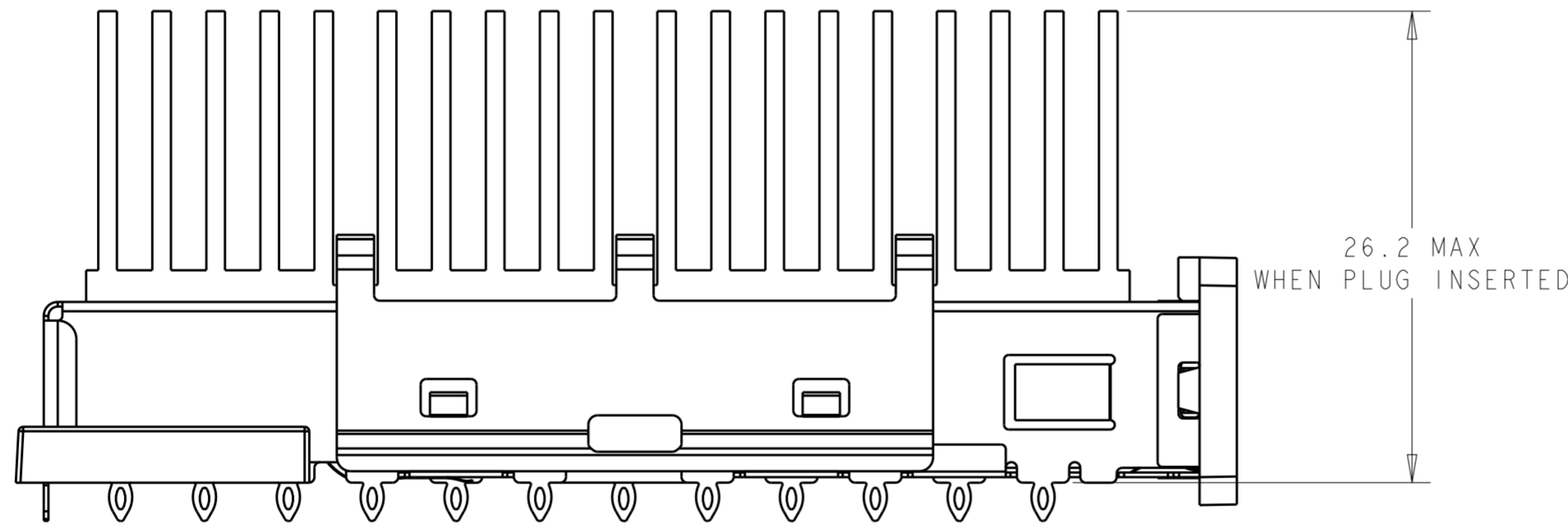


SCALE 3:1

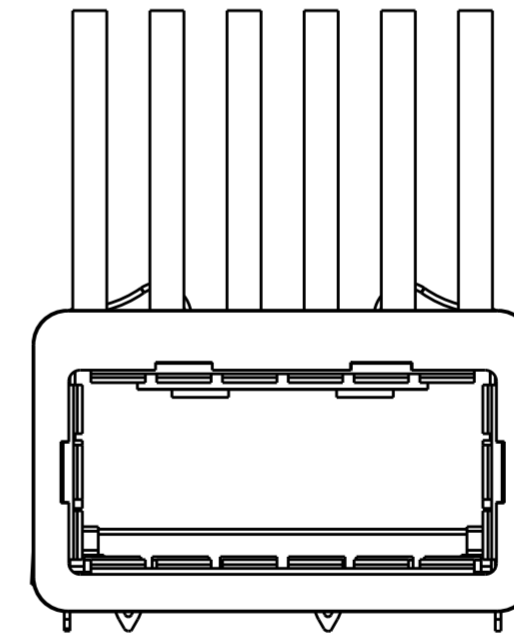
XFP HEAT SINK
PIN TYPE



1888065-3
SCALE 3:1



26.2 MAX
WHEN PLUG INSERTED



THIS DRAWING IS A CONTROLLED DOCUMENT.		DWN B. MCMASTER	24MAY06	STE TE Connectivity
DIMENSIONS:		CHK J. KOPPENHEFFER	24MAY06	
mm		APVD J. KOPPENHEFFER	24MAY06	
TOLERANCES UNLESS OTHERWISE SPECIFIED:		PRODUCT SPEC		
0 PLC	±	108-2127		NAME XFP KIT ASSEMBLY
1 PLC	±	114-13096		SIZE
2 PLC	±			CAGE CODE
3 PLC	±			DRAWING NO
4 PLC	±			RESTRICTED TO
ANGLES	±			A200779
FINISH	±			C-1888065
MATERIAL		WEIGHT		SCALE 3:1
				SHEET 3 OF 3
		CUSTOMER DRAWING		REV E