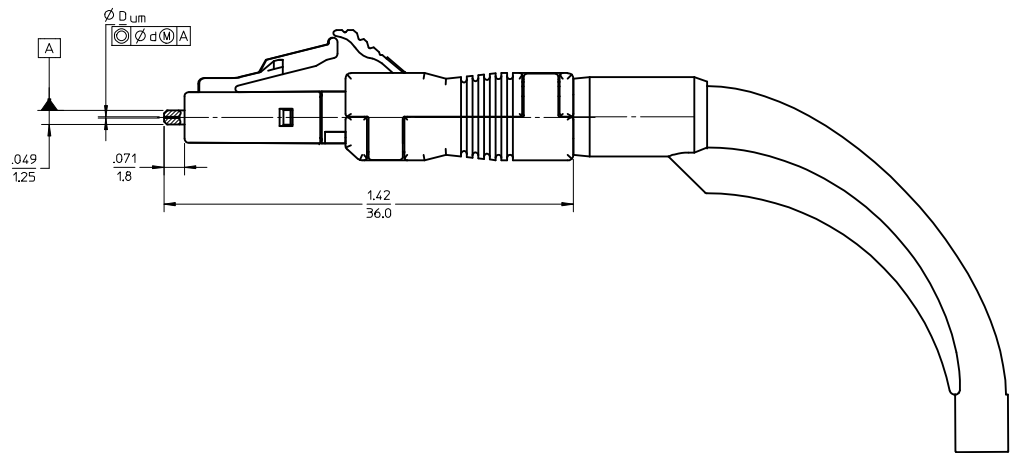
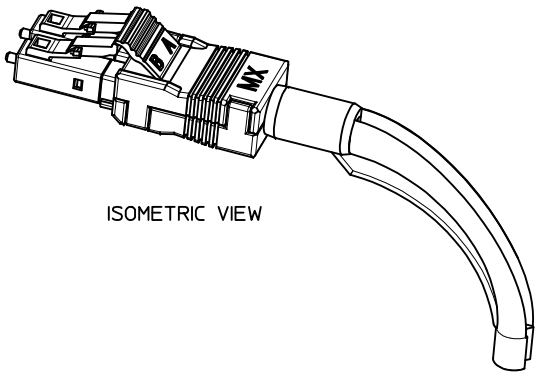
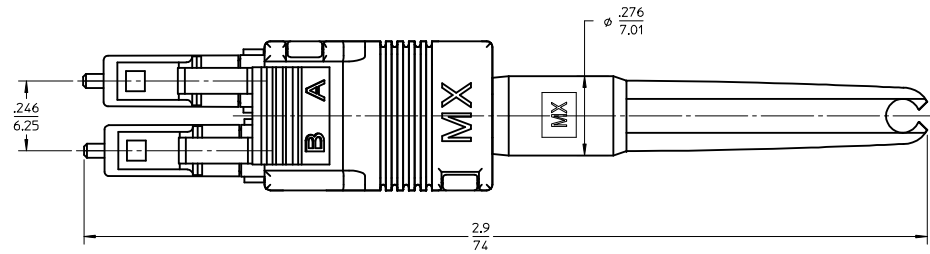
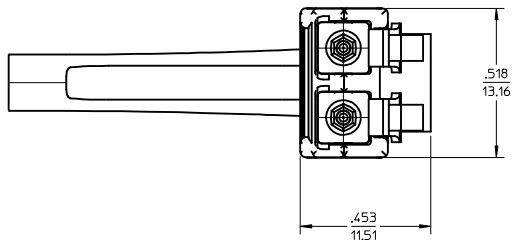


CONNECTOR P/N	CABLE TYPE	$\phi D$ ( $\mu m$ )	$\phi d$ ( $\mu m$ )	COLOR
106025-2370	SINGLE MODE	125.5 <sup>+0.5</sup> <sub>0</sub>	1.0	BLUE
106025-2380	MULTIMODE	127.0 <sup>+3.0</sup> <sub>0</sub>	3.0	BEIGE



NOTES:  
 1. ALL DIMENSIONS ARE FOR REFERENCE ONLY.  
 2. DUST CAPS ARE NOT SHOWN.

<b>ENTER DESCRIPTION</b> EC NO: MF2008-0070 DRWN:YBEDNYAK 2007/08/30 CHKD: 2007/08/30 APPR: IGUMIN 2007/09/05	QUALITY SYMBOLS  	GENERAL TOLERANCES (UNLESS SPECIFIED)		DIMENSION STYLE	SCALE	DESIGN UNITS	THIRD ANGLE PROJECTION	
				IN/MM	3:1	INCH		
				DRAWN BY	DATE	TITLE		
				CHECKED BY	DATE	LCD DOUBLE CONNECTOR (DUAL LINK CABLE) 90 DEG. BOOT		
		APPROVED BY		DATE	MATERIAL NO.			
		IGUMIN		2007/03/21	MOLEX INCORPORATED			
		DRAFT WHERE APPLICABLE MUST REMAIN WITHIN DIMENSIONS		SEE TABLE		DOCUMENT NO.		
				SIZE		SD-106025-2370		
				C		SHEET NO. 1 OF 1		
				THIS DRAWING CONTAINS INFORMATION THAT IS PROPRIETARY TO MOLEX INCORPORATED AND SHOULD NOT BE USED WITHOUT WRITTEN PERMISSION				