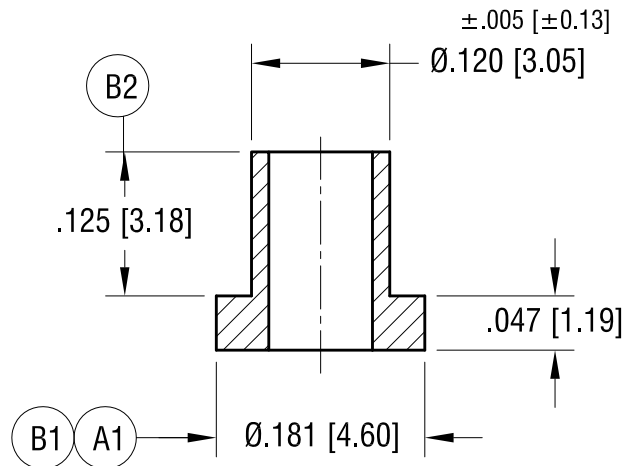
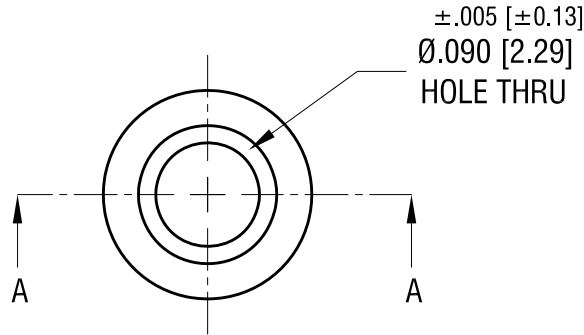


THIS DOCUMENT IS THE PROPERTY OF  
KEYSTONE ELECTRONICS CORP. AND  
SHALL NOT BE REPRODUCED, DISTRIBUTED  
OR USED AS A BASIS FOR MANUFACTURE  
WITHOUT PRIOR WRITTEN PERMISSION  
FROM KEYSTONE ELECTRONICS CORP.

ACTUAL SIZE



SECTION A-A

11.15.21	(B1) WAS .235, (B2) WAS .187 CHANGE AS PER ECN 21-132	B
11.02.21	(A1) WAS .181 [4.60] CHANGED AS PER ECN 21-126	A
DATE	DESCRIPTION	REV.

<b>KEYSTONE ELECTRONICS CORP.</b>			
www.keyelco.com • NEW HYDE PARK, NY 11040 • Tel (516) 328-7500			
PART NAME		NYLON SHOULDER WASHER	
MATERIAL		NYLON 6/6	
FINISH	NONE	DRN BY	BOONE
		APP'D	RH
		DATE	4.18.06
		SCALE	6X
TOLERANCES	INCH [MM]	CODE	DWG NO.
DECIMAL	$\pm .010$ [ $\pm 0.25$ ]	C	<b>3101</b>
ANGULAR	$\pm 1^\circ$		
UNLESS OTHERWISE SPECIFIED			