



Figure similar

Electrically held lighting contactor, (convertible to mech. held), Amp rating 30A (tungsten 20A), 1 N.C. / 1 N.O. poles, 230-240V 60Hz/220V 50Hz coil, Non-combination type, Enclosure NEMA type 12, Dust/drip proof for indoors

|   |   |
|---|---|
| product brand name  | Class LC  |
| design of the product   | Electrically held lighting contactor (convertible to mechanically held)                       |
| special product feature   | Electrically held convertible to mechanically held; Power poles convertible between NO and NC |
| <b>General technical data</b>   |   |
| weight [lb]   | 19 lb   |
| Height x Width x Depth [in]   | 16 × 13 × 6 in  |
| touch protection against electrical shock                               | NA for enclosed products  |
| installation altitude [ft] at height above sea level maximum            | 6560 ft   |
| ambient temperature [°F]  |   |
| • during storage  | -22 ... +149 °F   |
| • during operation  | -13 ... +104 °F   |
| ambient temperature   |   |
| • during storage  | -30 ... +65 °C  |
| • during operation  | -25 ... +40 °C  |
| country of origin   | USA   |
| <b>Contactor</b>  |   |
| size of contactor   | 30 Amp  |
| number of NO contacts for main contacts                                 | 1   |
| number of NC contacts for main contacts                                 | 1   |
| operating voltage for main current circuit at AC at 60 Hz maximum       | 600 V   |
| Type of main contacts   | Silver alloy, double break  |
| mechanical service life (switching cycles) of the main contacts typical | 100000  |
| contact rating of the main contacts of lighting contactor               |   |
| • at tungsten (1 pole per 1 phase) rated value                          | 20A @277V 1p 1ph  |
| • at tungsten (2 poles per 1 phase) rated value                         | 20A @480V 2p 1ph  |
| • at tungsten (3 poles per 3 phases) rated value                        | 20A @480V 3p 3ph  |
| • at ballast (1 pole per 1 phase) rated value                           | 30A @347V 1p 1ph  |
| • at ballast (2 poles per 1 phase) rated value                          | 30A @600V 2p 1ph  |
| • at ballast (3 poles per 3 phases) rated value                         | 30A @600V 3p 3ph  |
| • at resistive load (1 pole per 1 phase) rated value                    | 30A @600V 1p 1ph  |
| • at resistive load (2 poles per 1 phase) rated value                   | 30A @600V 2p 1ph  |
| • at resistive load (3 poles per 3 phases) rated value                  | 30A @600V 3p 3ph  |
| <b>Auxiliary contact</b>  |   |
| number of NC contacts for auxiliary contacts                            | 0   |
| number of NO contacts for auxiliary contacts                            | 0   |
| number of total auxiliary contacts maximum                              | 4   |

|   |   |
|---|---|
| contact rating of auxiliary contacts of contactor according to UL   | NA                                      |
| <b>Coil</b>   |   |
| type of voltage of the control supply voltage   | AC                                      |
| control supply voltage  |   |
| • at AC at 50 Hz rated value  | 220 V                                   |
| • at AC at 60 Hz rated value  | 230 ... 240 V                           |
| apparent pick-up power of magnet coil at AC   | 248 VA                                  |
| apparent holding power of magnet coil at AC   | 28 VA                                   |
| operating range factor control supply voltage rated value of magnet coil  | 0.85 ... 1.1                            |
| <b>Enclosure</b>  |   |
| degree of protection NEMA rating of the enclosure   | NEMA Type 12                            |
| design of the housing   | dustproof and drip-proof for indoor use |
| <b>Mounting/wiring</b>  |   |
| mounting position   | Vertical                                |
| fastening method  | Surface mounting and installation       |
| type of electrical connection for supply voltage line-side  | Screw-type terminals                    |
| tightening torque [lbf-in] for supply   | 35 ... 35 lbf-in                        |
| type of connectable conductor cross-sections at line-side at AWG cables single or multi-stranded                  | 2x (14 ... 8 AWG)                       |
| temperature of the conductor for supply maximum permissible   | 75 °C                                   |
| material of the conductor for supply  | CU                                      |
| type of electrical connection for load-side outgoing feeder   | Screw-type terminals                    |
| tightening torque [lbf-in] for load-side outgoing feeder  | 35 ... 35 lbf-in                        |
| type of connectable conductor cross-sections at AWG cables for load-side outgoing feeder single or multi-stranded | 2x (14 ... 8 AWG)                       |
| temperature of the conductor for load-side outgoing feeder maximum permissible                                    | 75 °C                                   |
| material of the conductor for load-side outgoing feeder   | CU                                      |
| type of electrical connection of magnet coil  | Screw-type terminals                    |
| tightening torque [lbf-in] at magnet coil   | 15 ... 15 lbf-in                        |
| type of connectable conductor cross-sections of magnet coil at AWG cables single or multi-stranded                | 2x (18 ... 14 AWG)                      |
| temperature of the conductor at magnet coil maximum permissible   | 75 °C                                   |
| material of the conductor at magnet coil  | CU                                      |
| <b>Short-circuit current rating</b>   |   |
| design of the fuse link for short-circuit protection of the main circuit required                                 | 100kA@600V (Class R or J 40A max)       |
| design of the short-circuit trip  | Thermal magnetic circuit breaker        |
| breaking capacity maximum short-circuit current (I <sub>cu</sub> )  |   |
| • at 240 V  | 24 kA                                   |
| • at 480 V  | 65 kA                                   |
| • at 600 V  | 25 kA                                   |
| certificate of suitability  | NEMA ICS 2; UL 508                      |

#### Further information

**Industrial Controls - Product Overview (Catalogs, Brochures,...)**

[www.usa.siemens.com/iccatalog](http://www.usa.siemens.com/iccatalog)

**Industry Mall (Online ordering system)**

<https://mall.industry.siemens.com/mall/en/us/Catalog/product?mifb=US2:LCE02C101240A>

**Service&Support (Manuals, Certificates, Characteristics, FAQs,...)**

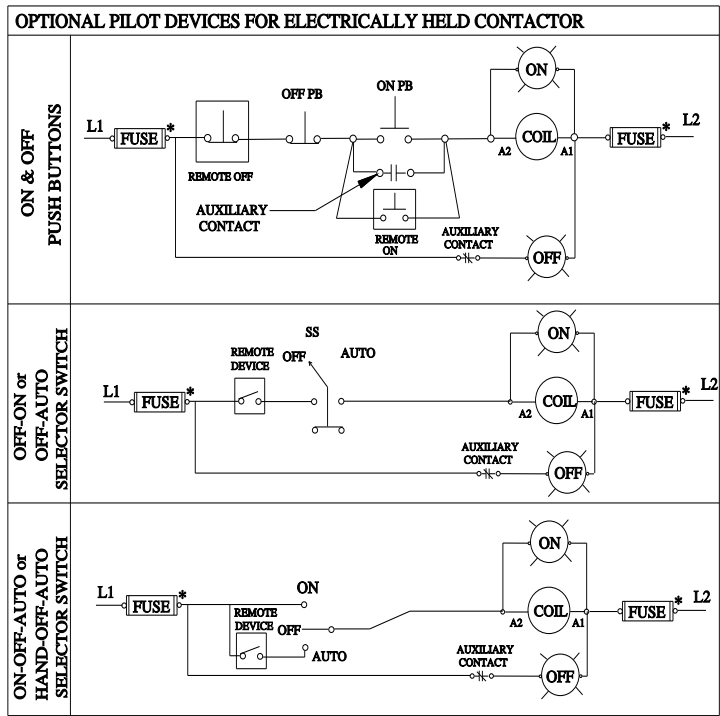
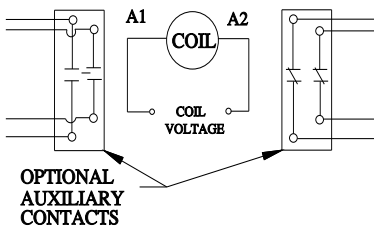
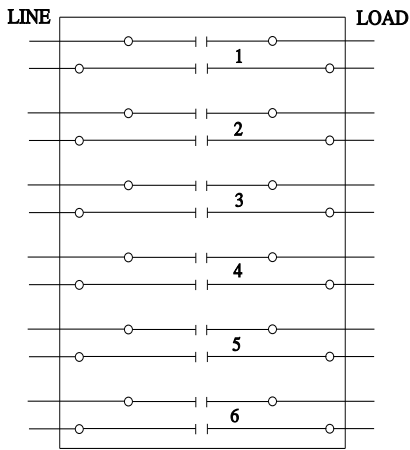
<https://support.industry.siemens.com/cs/US/en/ps/US2:LCE02C101240A>

**Image database (product images, 2D dimension drawings, 3D models, device circuit diagrams, EPLAN macros, ...)**

[http://www.automation.siemens.com/bilddb/cax\\_de.aspx?mifb=US2:LCE02C101240A&lang=en](http://www.automation.siemens.com/bilddb/cax_de.aspx?mifb=US2:LCE02C101240A&lang=en)

**Certificates/approvals**

<https://support.industry.siemens.com/cs/US/en/ps/US2:LCE02C101240A/certificate>



D38297001

last modified:

1/25/2022