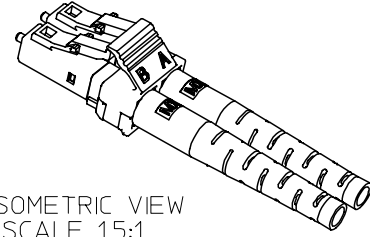
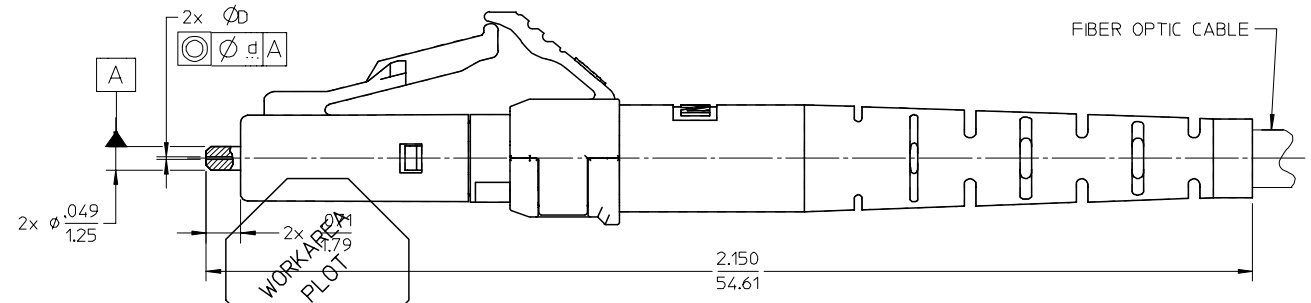
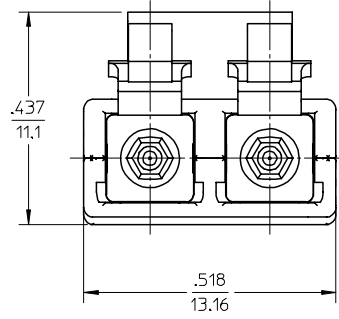
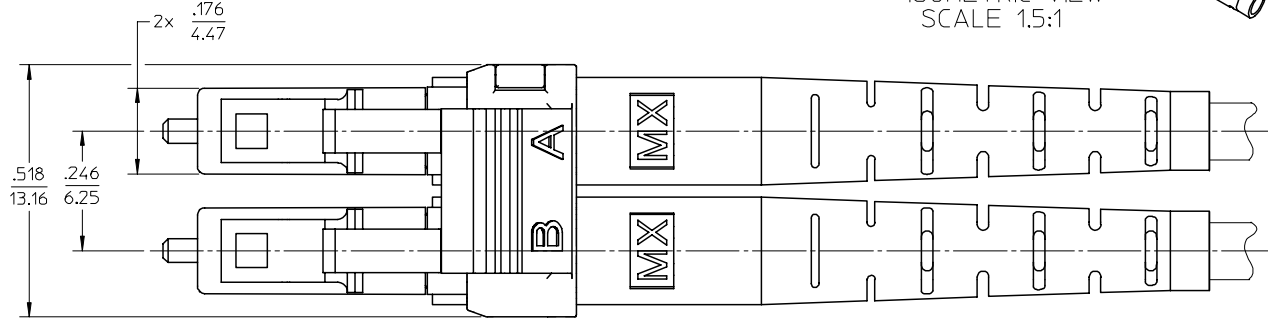


CONNECTOR P/N	ØD (4m)	Ød (4m)	DUPLEX CLIP COLOR	DUPLEX CLIP W/LATCH COLOR	CABLE TYPE
106025-2150	125.5 ^{+0.5} ₀	1	BLUE	BLUE	SINGLE MODE
106025-3150	127 ⁺³ ₀	3	BEIGE	BEIGE	MULTIMODE
106025-4150	125 ^{+0.5} ₀	1	BLUE	BLUE	SINGLE MODE
106025-5150	126 ⁺¹ ₀				
106025-6150	125.25 ^{+0.5} ₀	0.5			
106025-8150	125.5 ^{+0.5} ₀				



ISOMETRIC VIEW
SCALE 1.5:1



ENTER DESCRIPTION EC NO: MF2006-0323 DRWNPGBLIN 2006/02/07 CHKD: 2006/02/07 APPR: IGUMIN 2006/02/07	QUALITY SYMBOLS ▽=0 ▽=0	GENERAL TOLERANCES (UNLESS SPECIFIED)		DIMENSION STYLE	SCALE	DESIGN UNITS	THIRD ANGLE PROJECTION	
		mm	INCH	IN/MM	4:1	INCH		
		4 PLACES ± --- ±.0002	3 PLACES ±0.005 ±.005	DRAWN BY	DATE	TITLE		
		2 PLACES ±0.13 ±.01	1 PLACE ±0.25 ±---	PGIBLIN	2005/11/14	LC DUPLEX CONNECTOR W/ TWO PIECE CLIP 3.0MM CABLE APPLICATION		
	ANGULAR ±1/2°	APPROVED BY		DATE	MOLEX INCORPORATED			
		MATERIAL NO.		SEE TABLE	DOCUMENT NO.		SHEET NO.	
		DRAFT WHERE APPLICABLE MUST REMAIN WITHIN DIMENSIONS		SIZE	SD-106025-X1X0		1 OF 1	
		THIS DRAWING CONTAINS INFORMATION THAT IS PROPRIETARY TO MOLEX INCORPORATED AND SHOULD NOT BE USED WITHOUT WRITTEN PERMISSION						