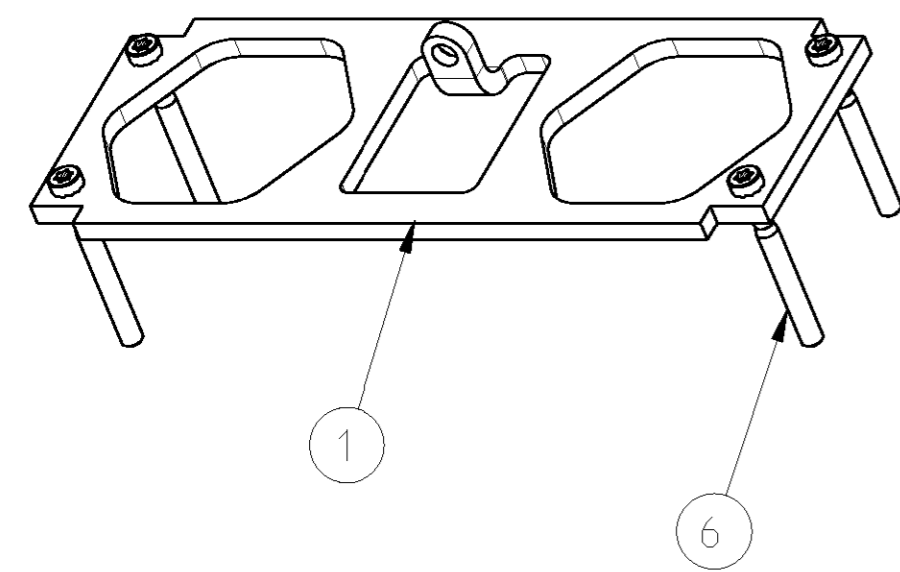


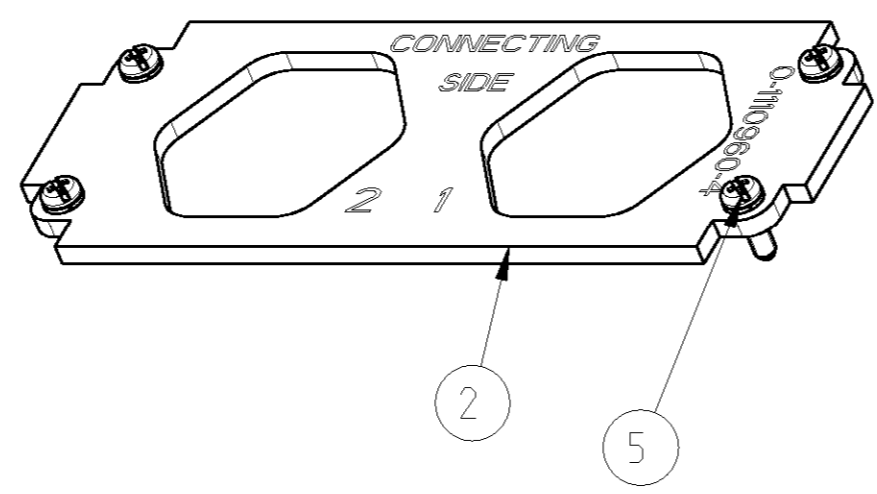
THIS DRAWING IS UNPUBLISHED. RELEASED FOR PUBLICATION 2006
 © COPYRIGHT 2006 BY TYCO ELECTRONICS CORPORATION. ALL RIGHTS RESERVED.

LOC	DIST	REVISIONS			
P	LTR	DESCRIPTION	DATE	DWN	APVD
		B3	ECR-21-123594	08FEB2022	RK MZ

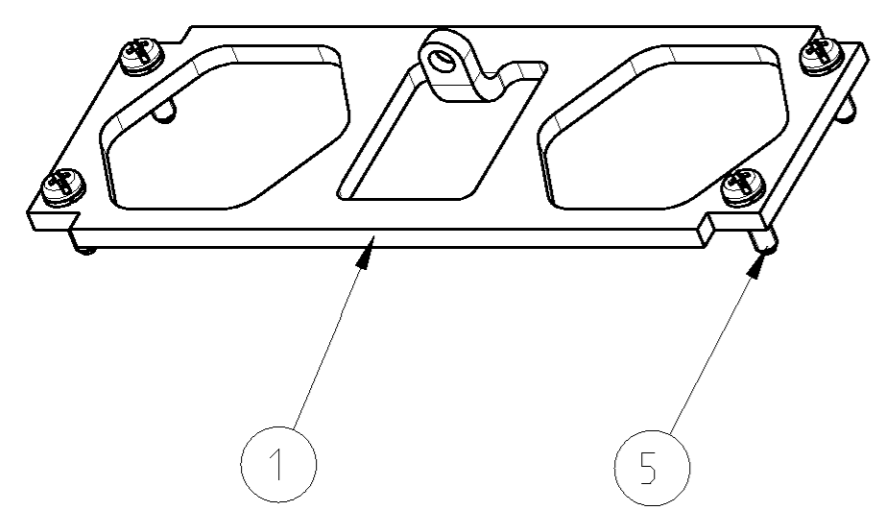
PN 0-1



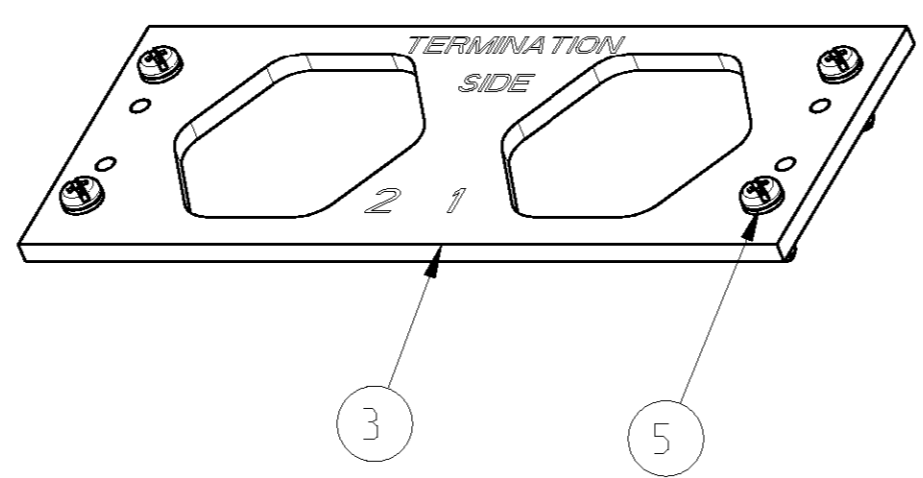
PN 0-4



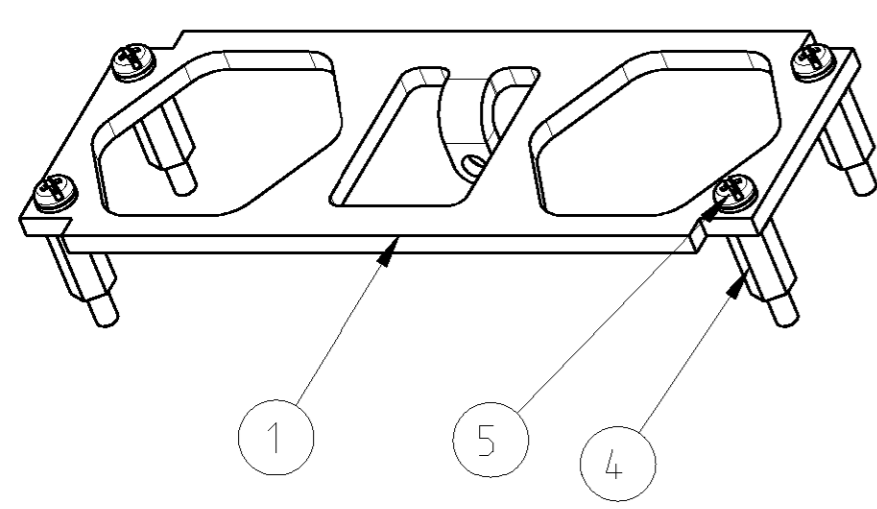
PN 0-2



PN 0-5



PN 0-3



Notes

- 1 WEIGHT:0.112 kg (APROX.)
- 2 PACKAGING: 5 PIECES IN A CARDBOARD BOX
- 3 SCREWS PACKED LOOSE IN A POLY BAG (ONLY PN 0-4 and 0-5)
- 4 LABELING SEE PAGE 2

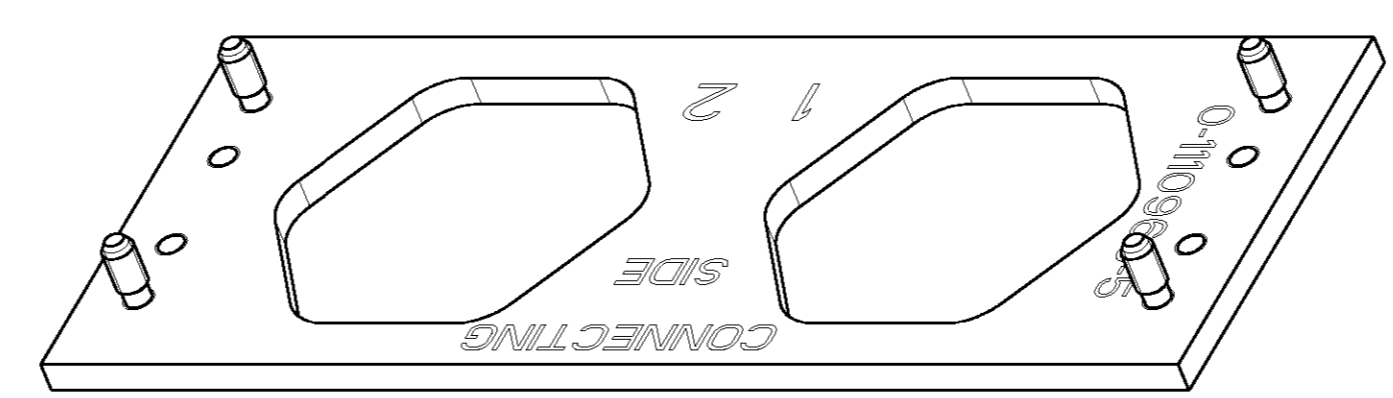
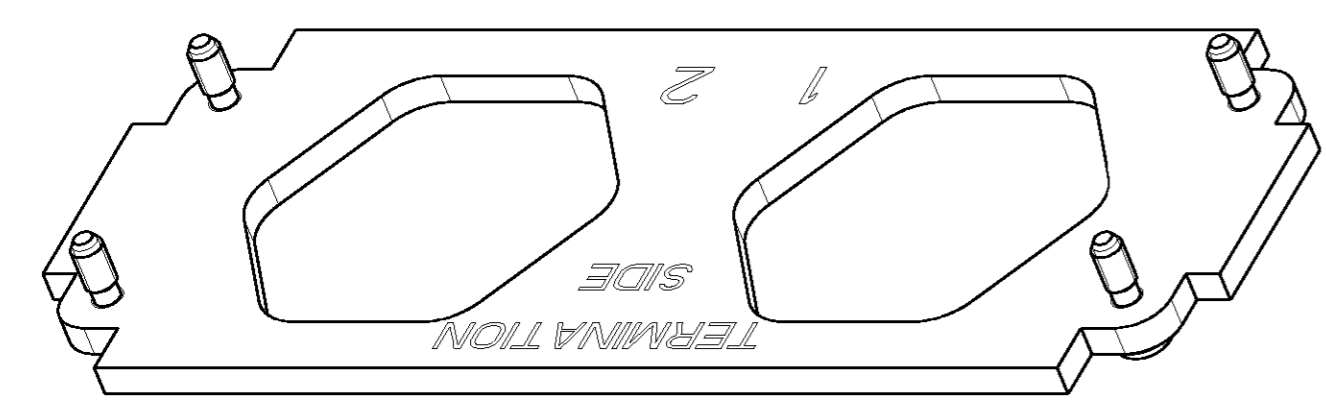
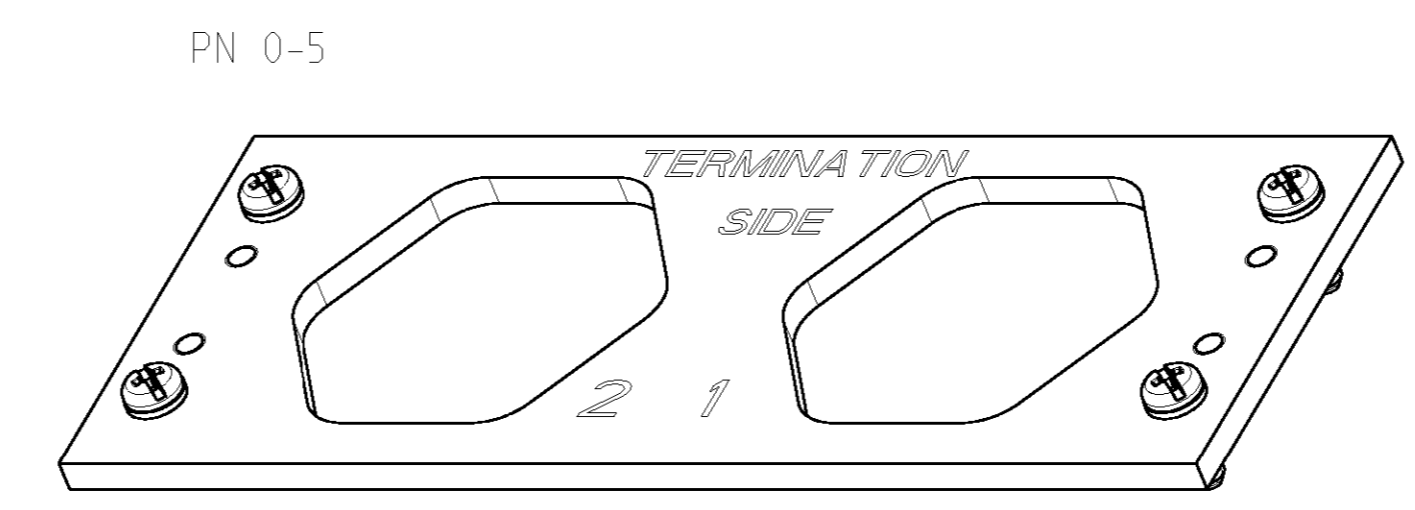
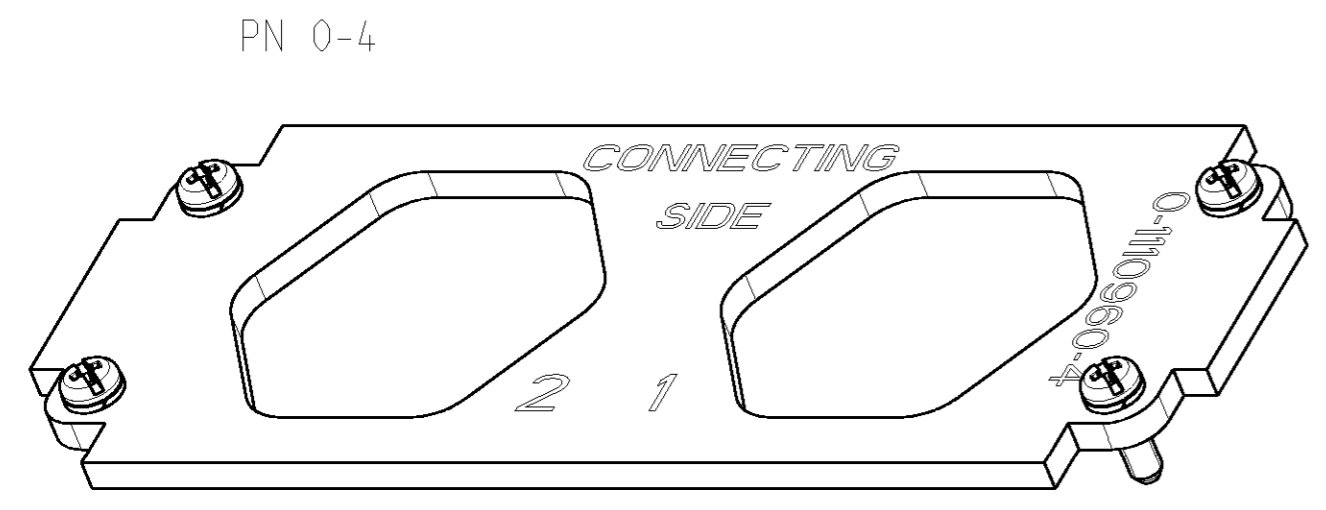
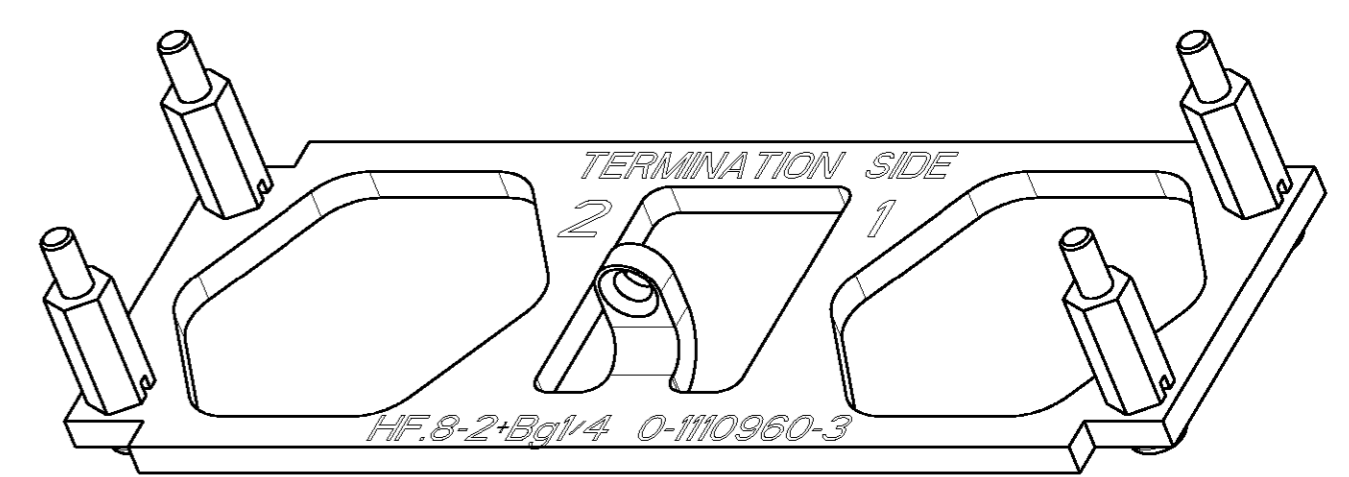
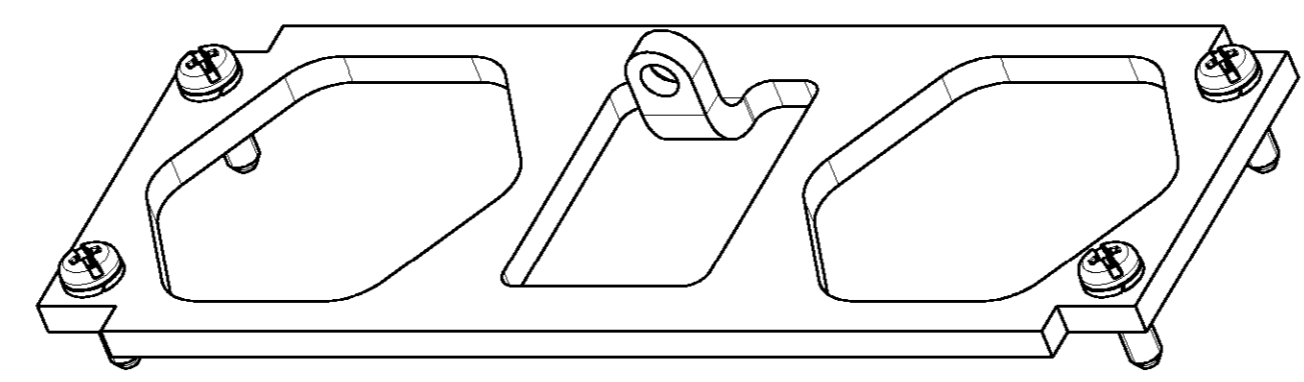
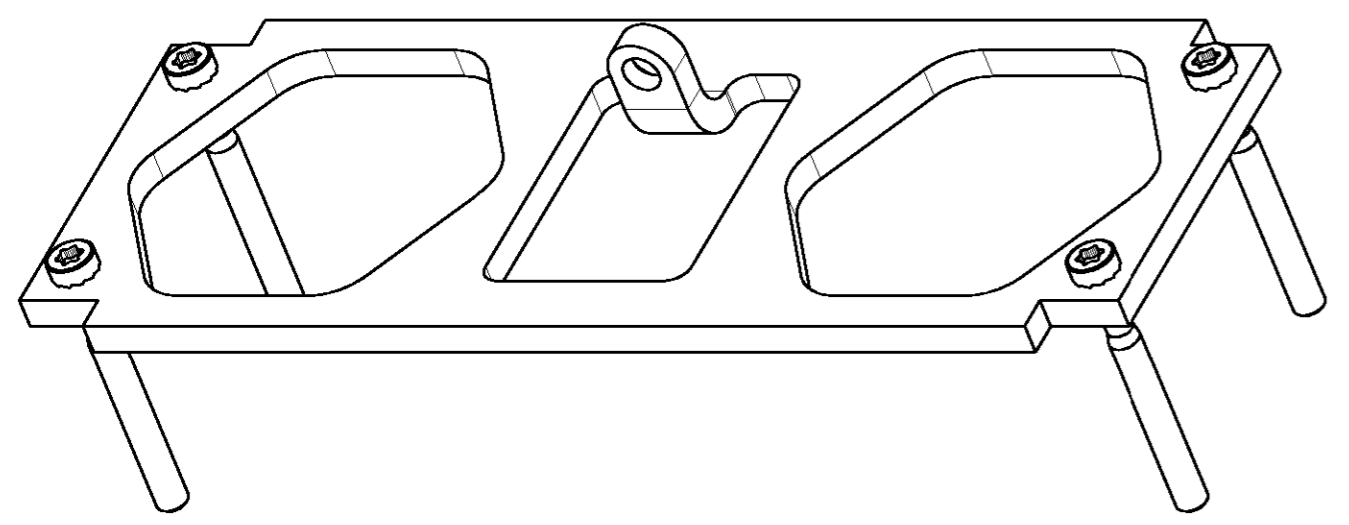
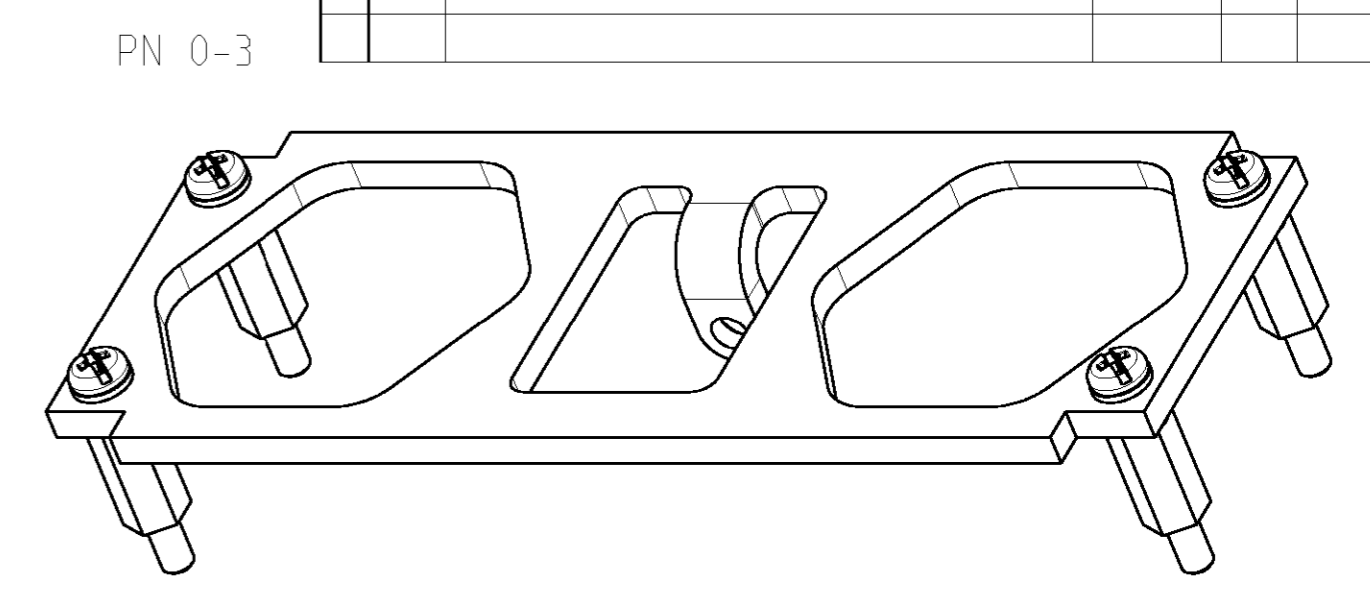
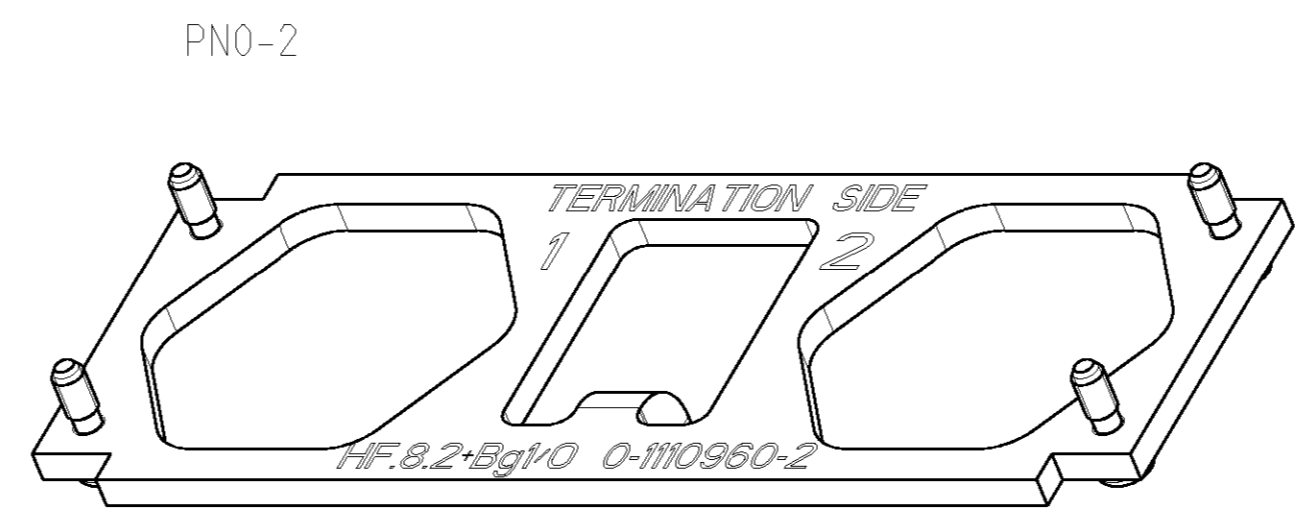
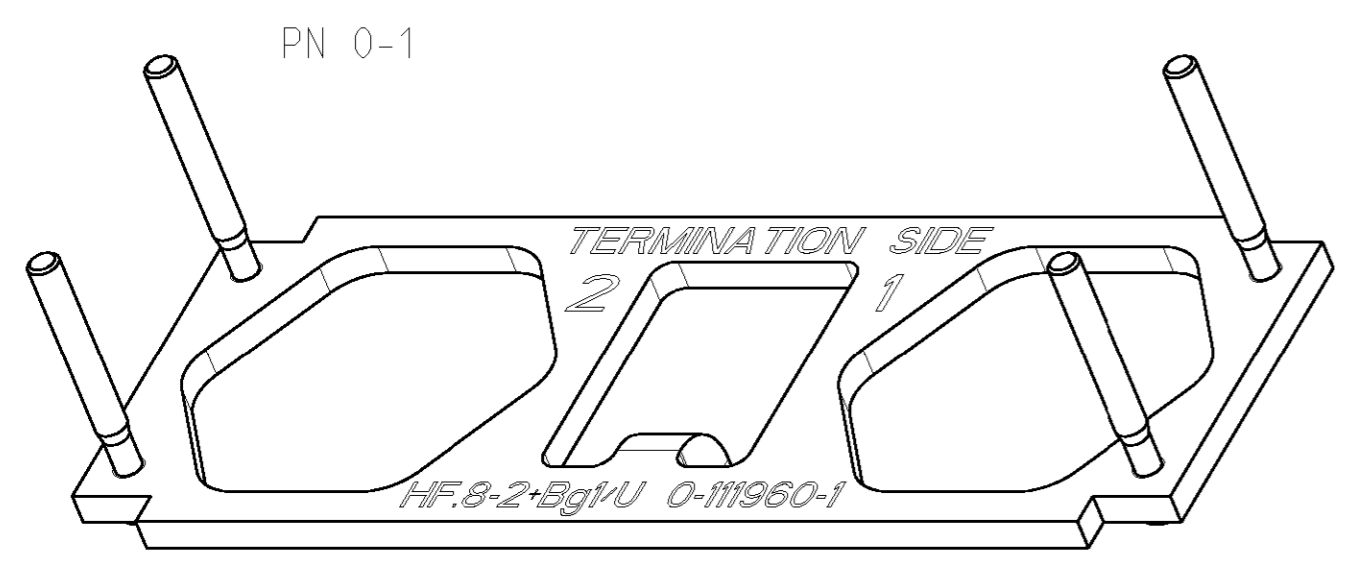
OBSOLETE

QTY	QTY	QTY	QTY	QTY	DESCRIPTION	MATERIAL	SURFACE	NOTE	ITEM
				4	SCREW	STAINL.STEEL	-	M3x27 SELFLOCKING	6
4	4	4	4		FIXING SCREW	V2A	blank	M3x10.5	5
			4		DISTANCE BOLT	STEEL	ZINC PLATED	M3x18/12	4
1					FIXING PLATE	STEEL	ZINC PLATED	2 POS. HF13, SPECIAL VERS. Ag	3
	1				FIXING PLATE	STEEL	ZINC PLATED	2 POS. HF13, SPECIAL VERS. St	2
		1	1	1	FIXING PLATE	STEEL	ZINC PLATED	2 POS. HF13 +1xBq1	1
0-5	0-4	0-3	0-2	0-1	DESCRIPTION	MATERIAL	SURFACE	NOTE	ITEM


THIS DRAWING IS A CONTROLLED DOCUMENT FOR TYCO ELECTRONICS CORPORATION IT IS SUBJECT TO CHANGE AND THE CONTROLLING ENGINEERING ORGANIZATION SHOULD BE CONTACTED FOR THE LATEST REVISION.		DWN J.STOECKER 28FEB2007 CHK H.BRAUN 28FEB2007 APVD T.SCHNURPFEL 28FEB2007			
DIMENSIONS: mm 		TOLERANCES UNLESS OTHERWISE SPECIFIED: 0 PLC ±- 1 PLC ±- 2 PLC ±- 3 PLC ±- 4 PLC ±- ANGLES ±1° FINISH		NAME FIXING PLATE SERIES HF, SIZE 8	
MATERIAL -		PRODUCT SPEC - APPLICATION SPEC - WEIGHT -		SIZE A2 CAGE CODE 00779 DRAWING NO. 1110960 RESTRICTED TO -	
AMP 1471-9 REV 31MAR2000		SCALE 1:1		SHEET 1 OF 2 REV B3	

THIS DRAWING IS UNPUBLISHED. RELEASED FOR PUBLICATION 2006
 © COPYRIGHT 2006 BY TYCO ELECTRONICS CORPORATION. ALL RIGHTS RESERVED.

LOC	DIST	REVISIONS					
A1	-	P	LTR	DESCRIPTION	DATE	DWN	APVD
		-		SEE SHEET 1	-	-	-



NOTES SEE PAGE 1

<small>THIS DRAWING IS A CONTROLLED DOCUMENT FOR TYCO ELECTRONICS CORPORATION IT IS SUBJECT TO CHANGE AND THE CONTROLLING ENGINEERING ORGANIZATION SHOULD BE CONTACTED FOR THE LATEST REVISION.</small>		DWN J. STOECKER 28FEB2007 CHK H. BRAUN 28FEB2007 APVD T. SCHNURPFEL 28FEB2007	 TE Connectivity	
DIMENSIONS: mm		PRODUCT SPEC APPLICATION SPEC	NAME FIXING PLATE SERIES HF, SIZE 8	
TOLERANCES UNLESS OTHERWISE SPECIFIED: 0 PLC ±- 1 PLC ±- 2 PLC ±- 3 PLC ±- 4 PLC ±- ANGLES ±1° FINISH		WEIGHT -	SIZE A2	CAGE CODE 00779
MATERIAL -		DRAWING NO 1110960	RESTRICTED TO -	SCALE 1:1 SHEET 2 OF 2 REV B3