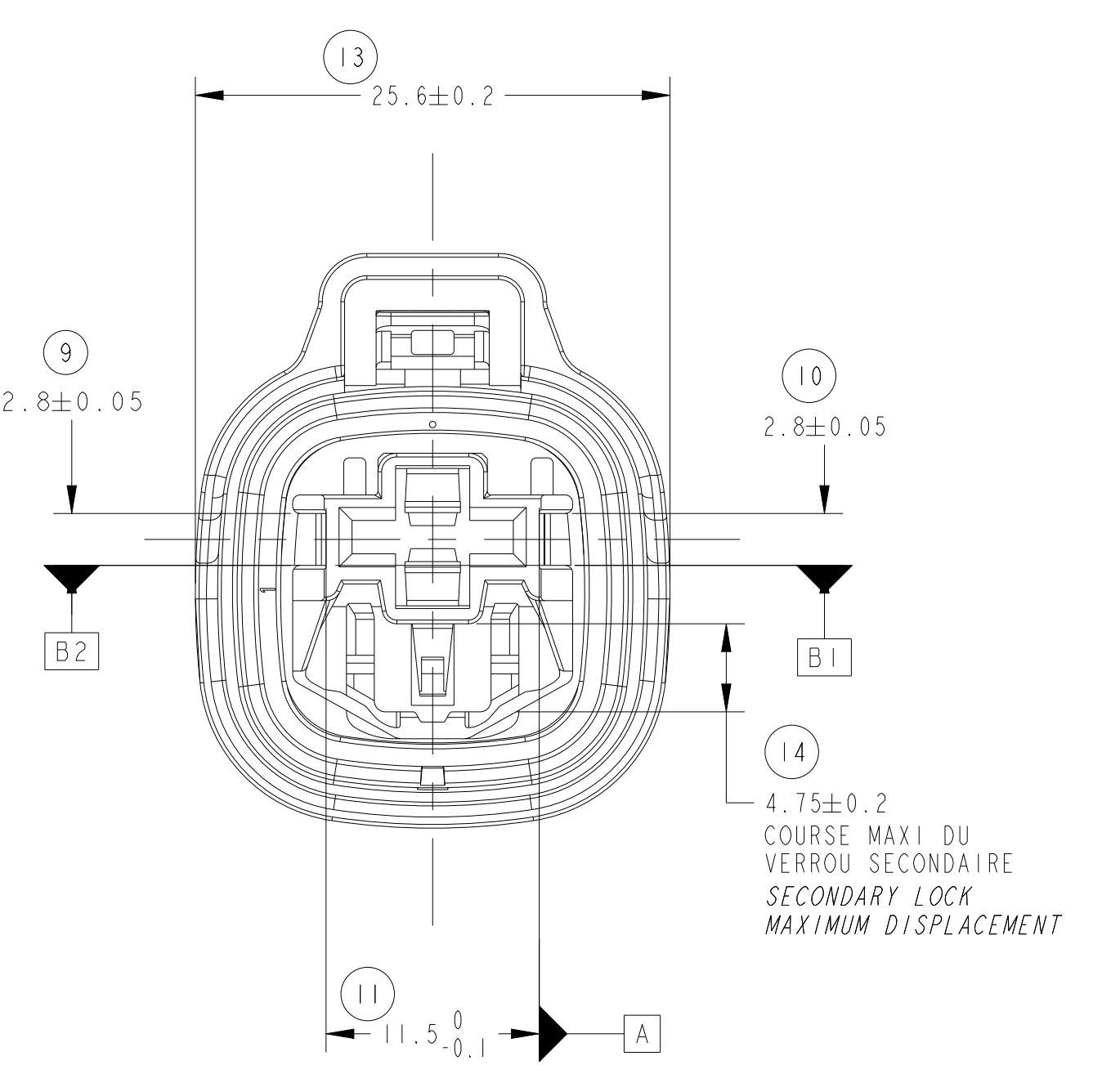
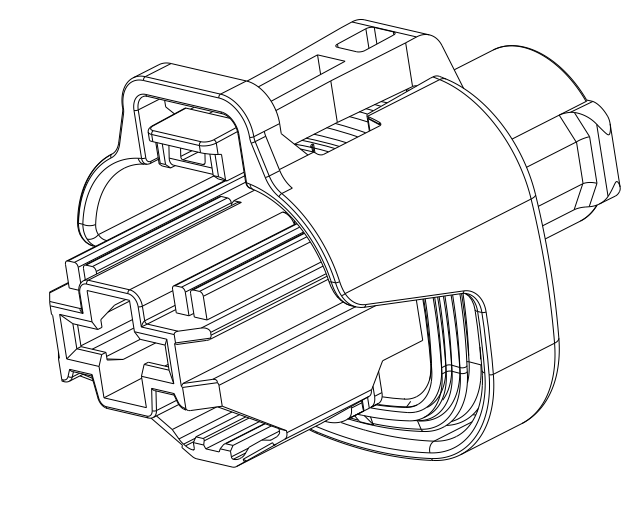
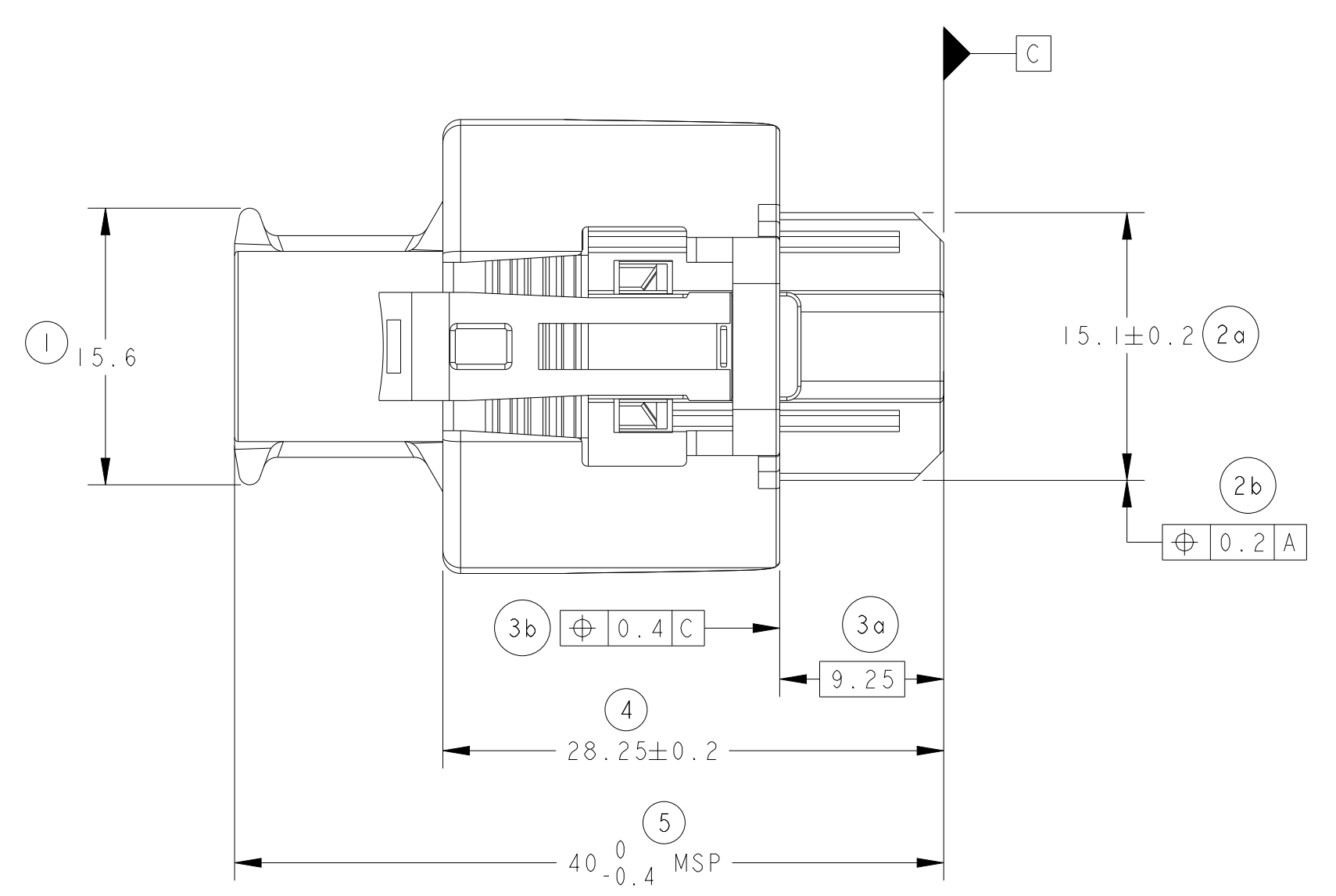
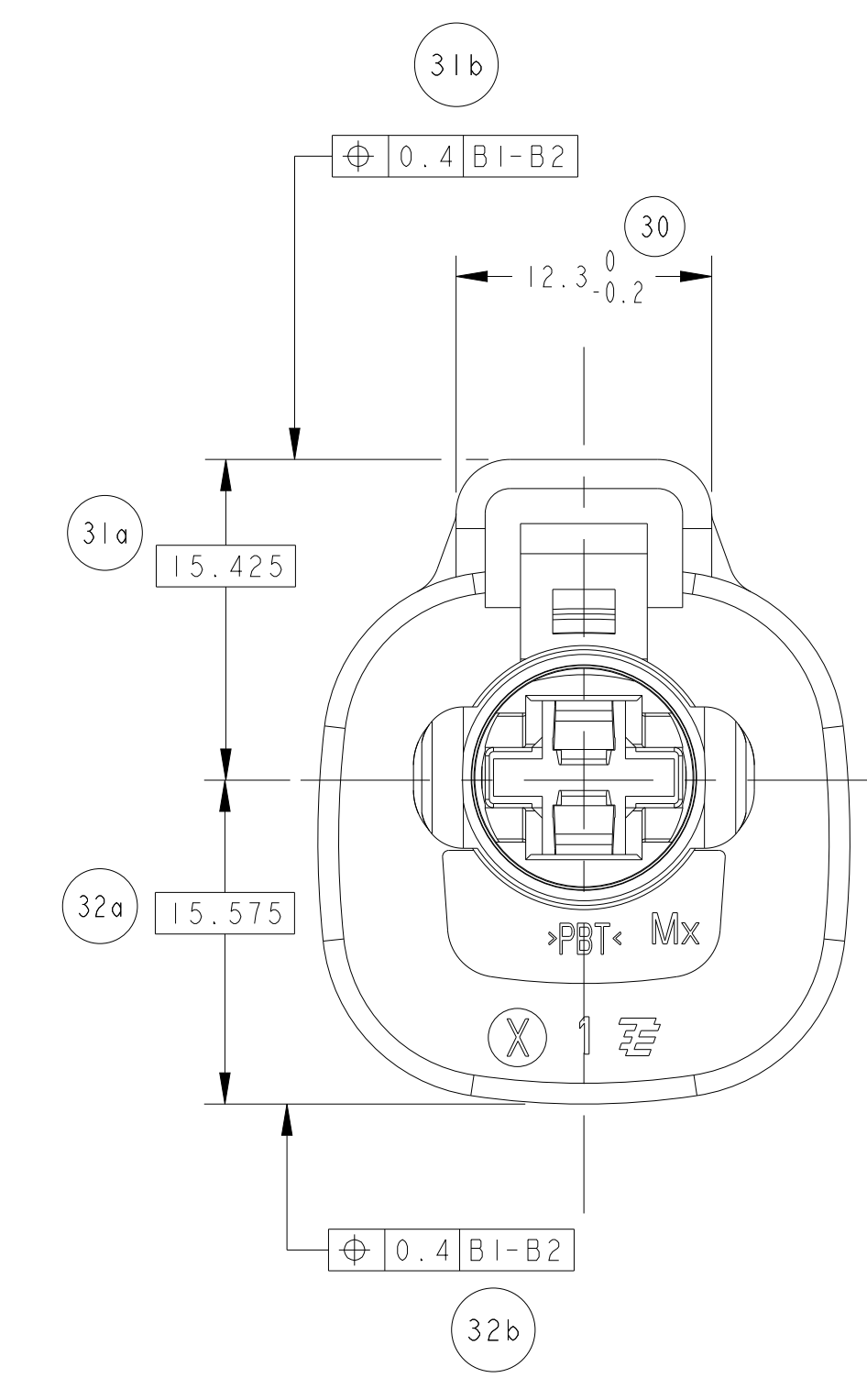
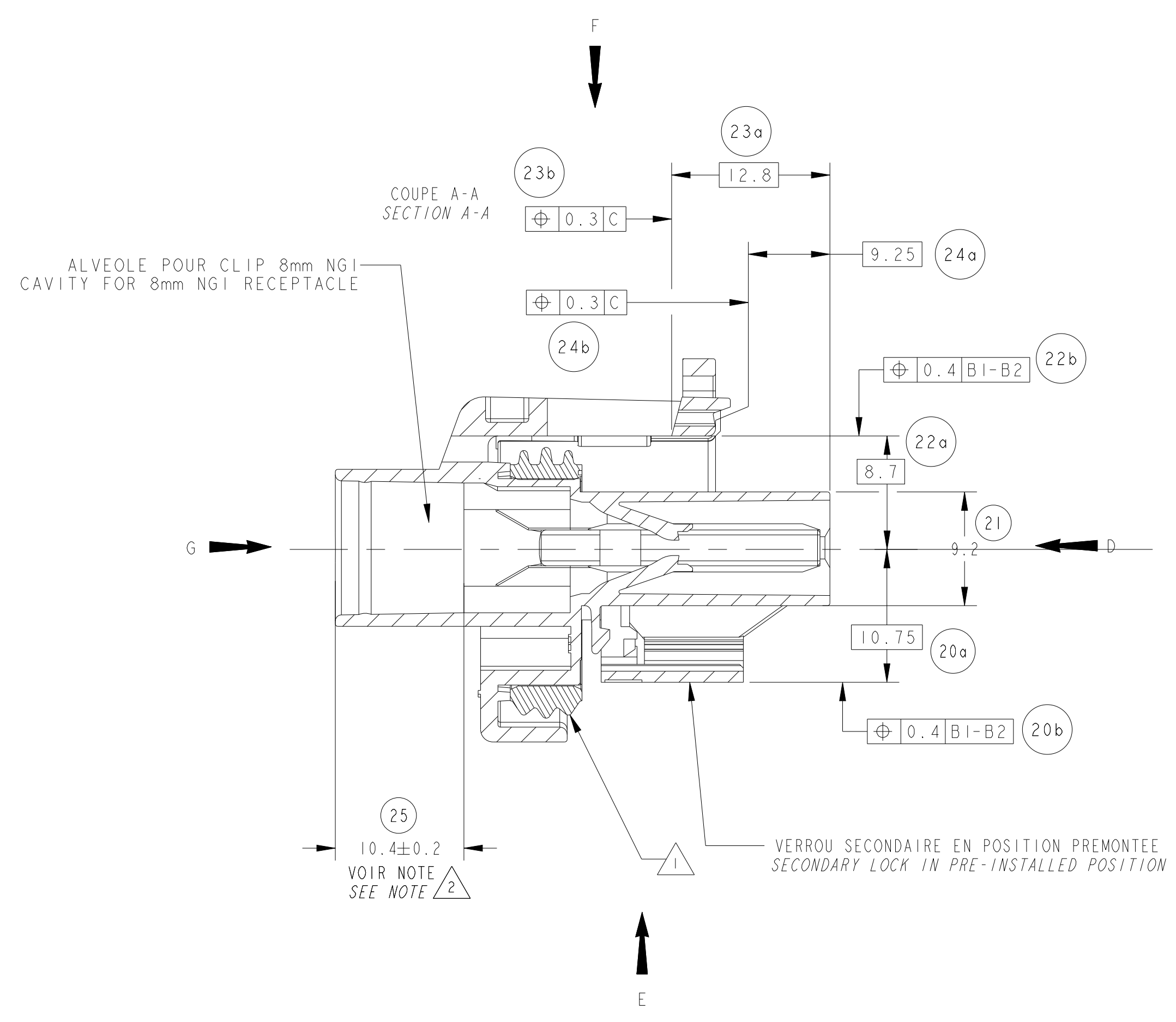
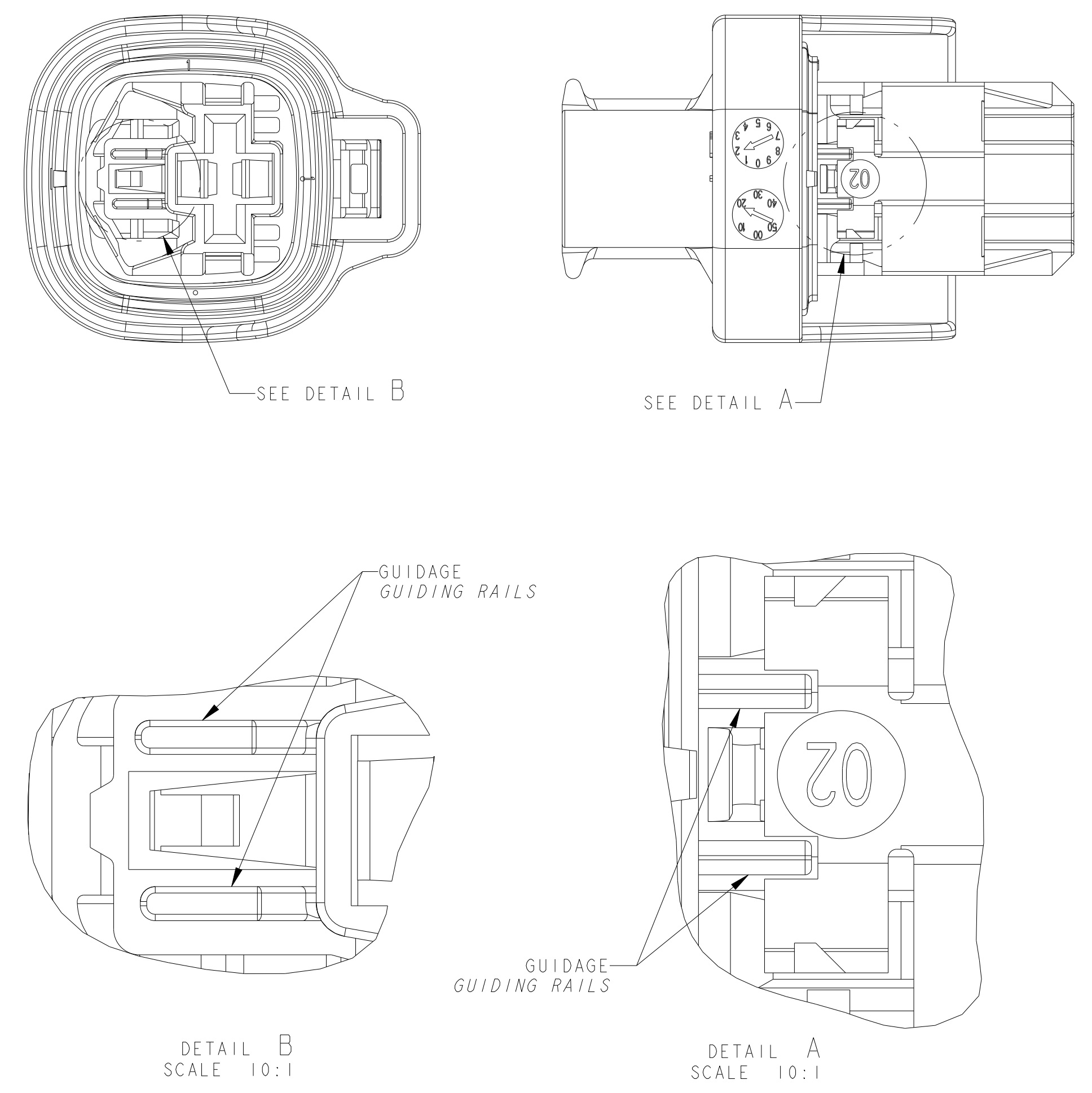


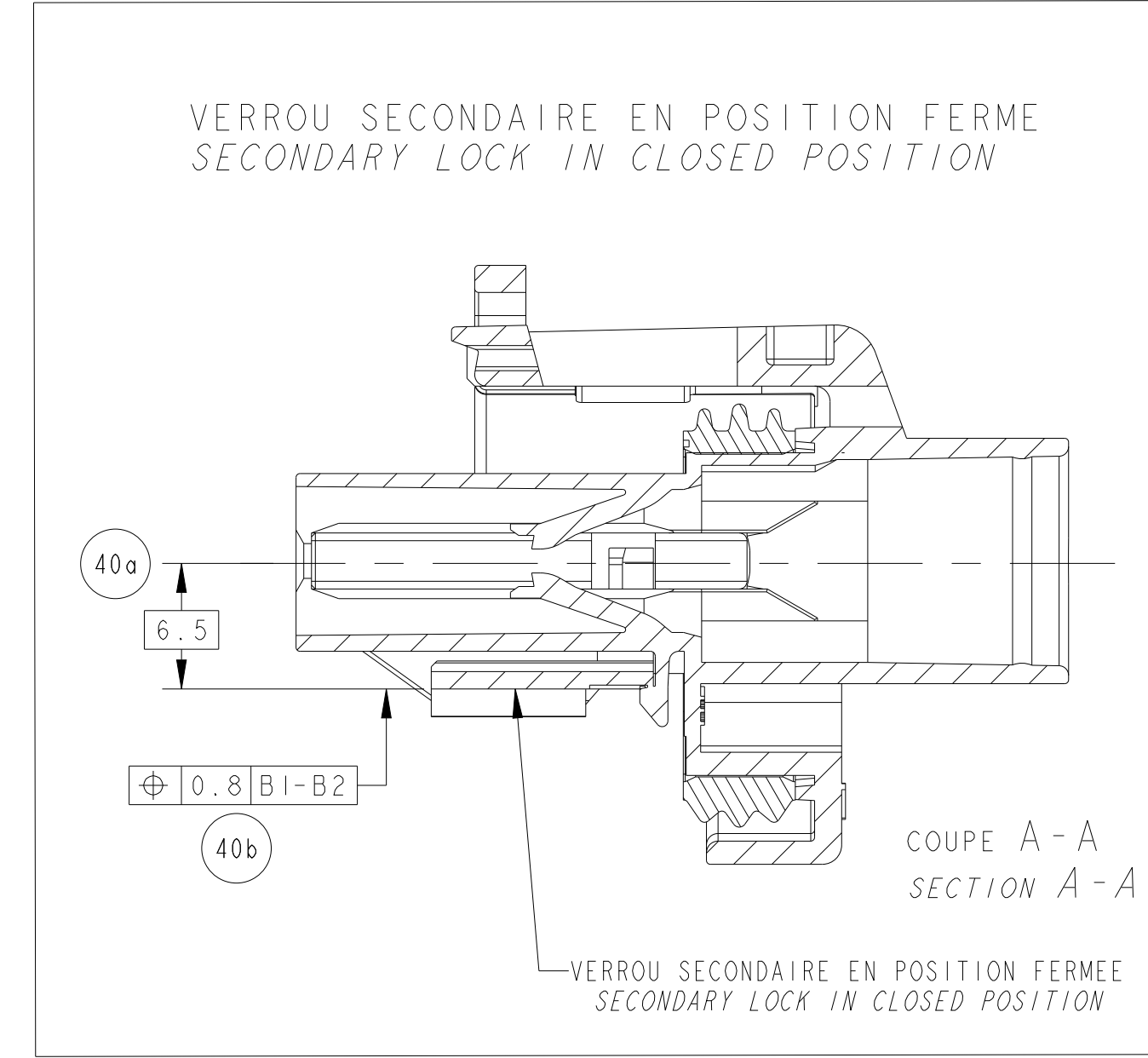
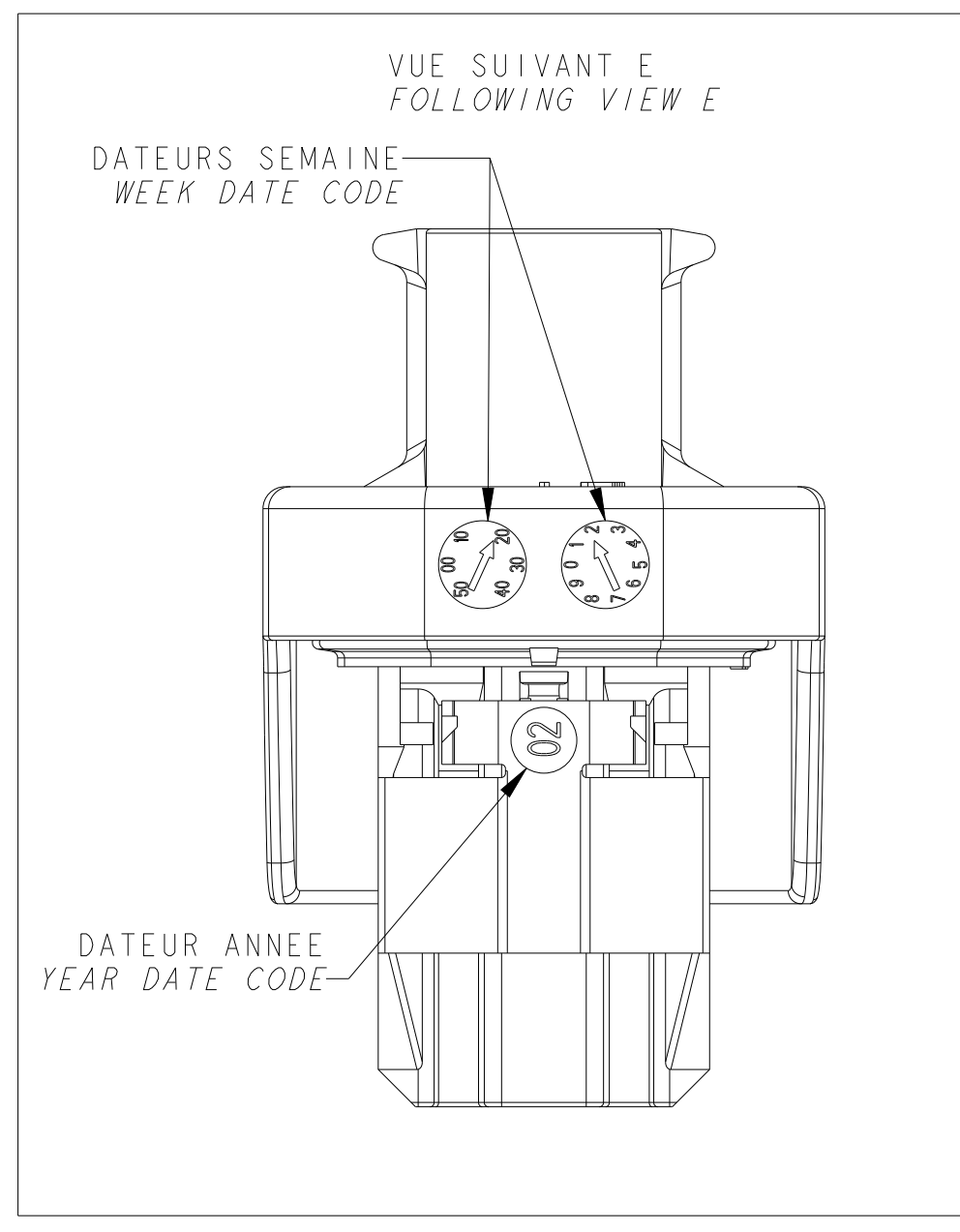
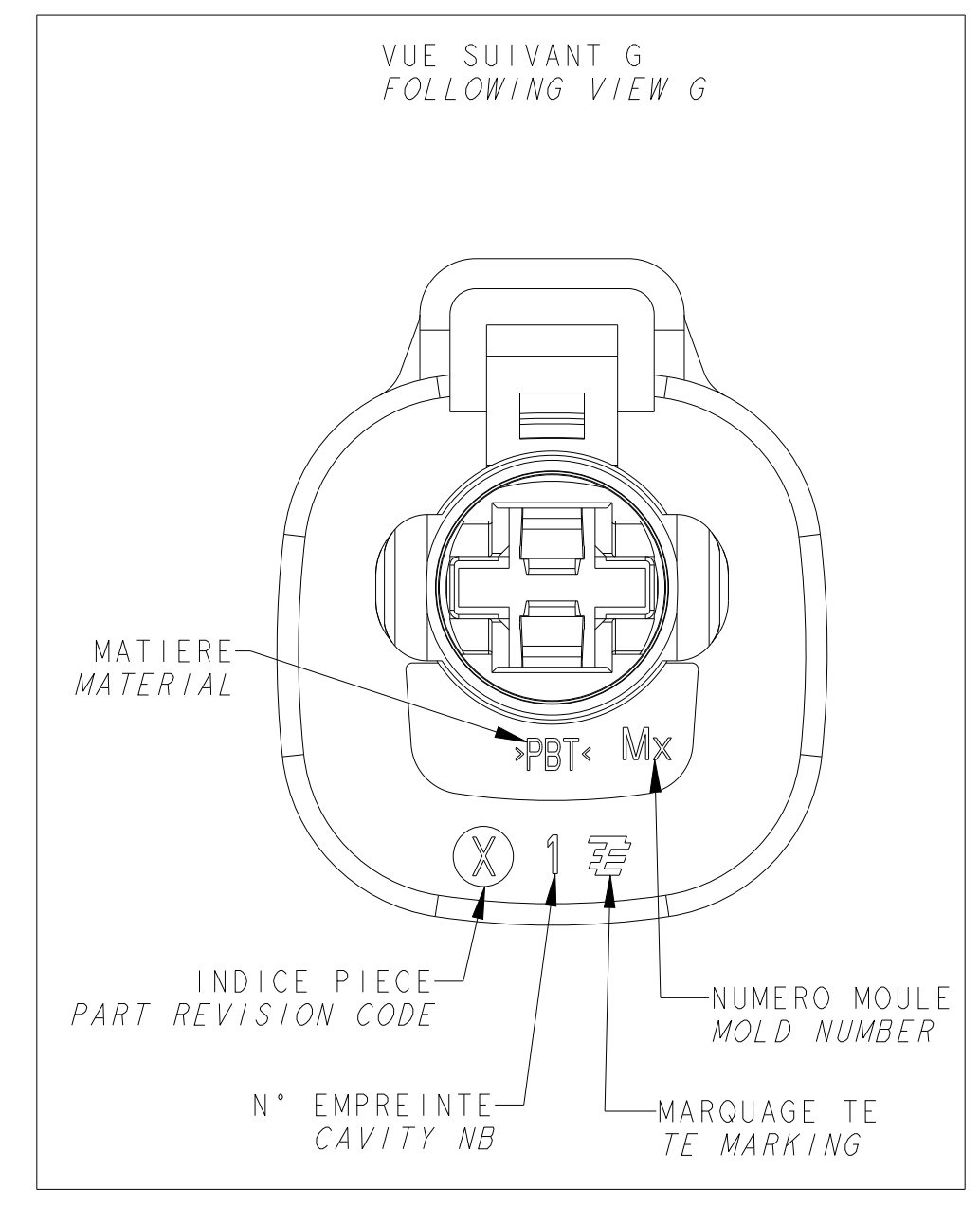
PORTE-CLIP EN POSITION DE LIVRAISON
RECEPTACLE HOUSING IN DELIVERING POSITION



FORME OPTIONNELLE
OPTIONAL SHAPE



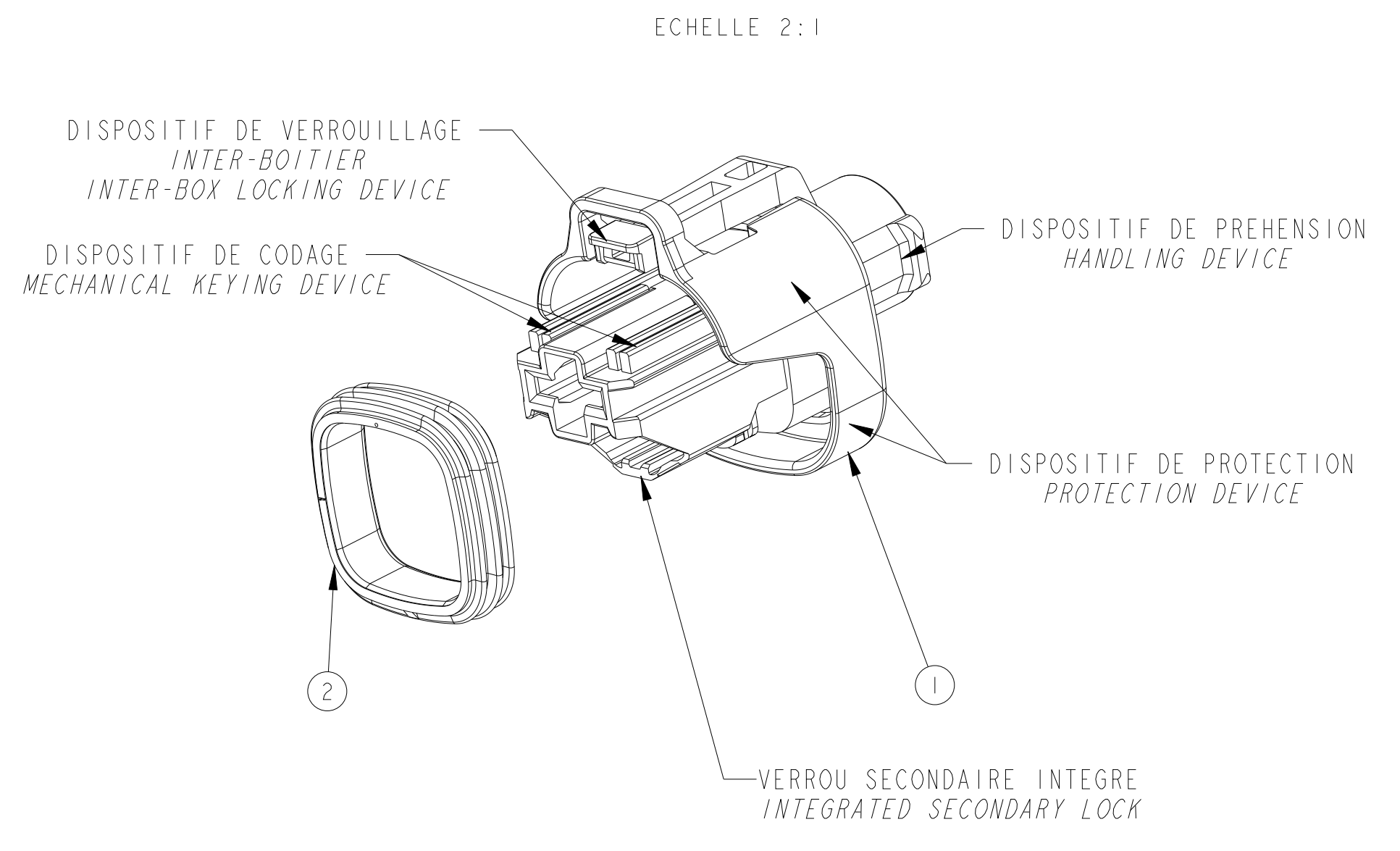
ECHELLE 2:1
SCALE 1:1



REVISIONS			
REV	DATE	BY	APPD
C	03JAN2011	FS1	JDT
D	25MAR2022	FB	FJ

NOTES :
 1 LEVRES DU JOINT EXEMPTES DE BAVURES, COUPURES OU DEFATS D'ASPECTS
 BURRS, CRACKS OR SURFACES DEFECTS FORBIDDEN ON SEAL LIPS
 2 ZONE SANS PLAN DE JOINT ET EXEMPTEE DE MARQUES OU DE BAVURES
 AREA WITHOUT ANY JUNCTION LINES, MARKS OR BURRS

DOCUMENTS DE REFERENCE / REFERENCE DOCUMENTS :
 - PLAN D'INTERFACE / INTERFACE DRAWING:
 TYCO ELECTRONICS No1/No 1544642



COMPOSANTS ASSOCIES ASSOCIATED COMPONENTS				
COMPOSANTS COMPONENTS	REF TE TE PN	MATIERE/MATERIAL	COULEUR COLOR	NOTA NOTE
CLIP 8mm NG1 G2: GAMME DE 3 A 6 mm² 8mm NG1 RECEPTACLE G2: RANGE FROM 3 TO 6 mm²	1544227-1	CUIVRE MICRO ALLIE MICRO ALLOYED COPPER	-	NE PAS UTILISER POUR NOUVELLE APPLICATION DO NOT USE FOR NEW APPLICATION
CLIP 8mm NG1 G3: GAMME DE 7 A 10 mm² 8mm NG1 RECEPTACLE G3: RANGE FROM 7 TO 10 mm²	1544228-1	CUIVRE MICRO ALLIE MICRO ALLOYED COPPER	-	
JOINT UNIFILAIRE A SERTIR DIAMETRE FIL DE 3.18 A 4.2 mm SINGLE WIRE SEAL WIRE DIAMETER FROM 3.18 TO 4.2 mm	1544316-1	SILICONE MVO 50 AUTOLUBRIFIE SELF LUBRICATED MVO 50 SILICON	VERT GREEN	
JOINT UNIFILAIRE A SERTIR DIAMETRE FIL DE 4.81 A 5.63 mm SINGLE WIRE SEAL WIRE DIAMETER FROM 4.81 TO 5.63 mm	1544316-2	SILICONE MVO 50 AUTOLUBRIFIE SELF LUBRICATED MVO 50 SILICON	ORANGE ORANGE	
CLIP 8mm NG1+ GAMME DE 2.5 A 4 mm² RECEPTACLE 8mm NG1+ RANGE FROM 2.5 TO 4 mm²	1544964-1	CUIVRE MICRO ALLIE + SnAg MICRO ALLOY COPPER + SnAg	-	
	1544964-2	CUIVRE MICRO ALLIE + Ag MICRO ALLOY COPPER + Ag	-	
CLIP 8mm NG1+ GAMME DE 5 A 6 mm² RECEPTACLE 8mm NG1+ RANGE FROM 5 TO 6 mm²	1544965-1	CUIVRE MICRO ALLIE + SnAg MICRO ALLOY COPPER + SnAg	-	
	1544965-2	CUIVRE MICRO ALLIE + Ag MICRO ALLOY COPPER + Ag	-	
CLIP 8mm NG1+ GAMME DE 7 A 10 mm² RECEPTACLE 8mm NG1+ RANGE FROM 7 TO 10 mm²	1544966-1	CUIVRE MICRO ALLIE + SnAg MICRO ALLOY COPPER + SnAg	-	
	1544966-2	CUIVRE MICRO ALLIE + Ag MICRO ALLOY COPPER + Ag	-	
JOINT NG9K A SERTIR ØFIL 2.65 A 4 mm NG9K SEAL, WIRE Ø 2.65 TO 4 mm	1544970-1	MVO 50 Sh A AUTOLUBRIFIE MVO 50 Sh A SELF-LUBRICATING	MARRON BROWN	
JOINT NG9K A SERTIR ØFIL 4.1 A 5 mm NG9K SEAL, WIRE Ø 4.1 TO 5 mm	1544970-2	MVO 50 Sh A AUTOLUBRIFIE MVO 50 Sh A SELF-LUBRICATING	BLEU BLUE	
JOINT NG9K A SERTIR ØFIL 4.3 A 6 mm NG9K SEAL, WIRE Ø 4.3 TO 6 mm	1544970-3	MVO 50 Sh A AUTOLUBRIFIE MVO 50 Sh A SELF-LUBRICATING	JAUNE YELLOW	

COMPOSANTS ASSOCIES ASSOCIATED COMPONENTS			
COMPOSANTS COMPONENTS	REF TE TE PN	MATIERE/MATERIAL	COULEUR COLOR
PORTE-LANGUETTE 1V 8NG1 ETANCHE 1-WAY 8NG1 SEALED TAB HOUSING	1544606-1	PBT GF-10 V0	NOIR/BLACK
PORTE-LANGUETTE 1V 8NG1 ETANCHE 1-WAY 8NG1 SEALED TAB HOUSING	1544606-2	PBT GF-10 V0	BLEU/BLEUE
PORTE-LANGUETTE 1V 8NG1 ETANCHE 1-WAY 8NG1 SEALED TAB HOUSING	1544606-3	PBT GF-10 V0	GRIS/GRAY

REFERENCE TE TE PART NUMBER	REV	DESCRIPTION ASSEMBLAGE ASSEMBLY DESCRIPTION	COMPOSANT ITEM	COULEUR COLOR	MATIERE MATERIAL	DESCRIPTION DESCRIPTION	QTY
1544603-3	B	PORTE-CLIP 1 VOIE 8mm NG1 ETANCHE 1-WAY 8mm NG1 SEALED CLIP HOUSING	2	VERT GREEN	SILICONE MVO 50 AUTOLUBRIFIE SILICONE MVO 50 SELF-LUBRICATED	JOINT INTERFACIAL INTERFACIAL SEAL	1
			1	GRIS GREY	PBT	PORTE-CLIP CLIP HOUSING	1
1544603-2	B	PORTE-CLIP 1 VOIE 8mm NG1 ETANCHE 1-WAY 8mm NG1 SEALED CLIP HOUSING	2	VERT GREEN	SILICONE MVO 50 AUTOLUBRIFIE SILICONE MVO 50 SELF-LUBRICATED	JOINT INTERFACIAL INTERFACIAL SEAL	1
			1	BLEU BLUE	PBT	PORTE-CLIP CLIP HOUSING	1
1544603-1	B	PORTE-CLIP 1 VOIE 8mm NG1 ETANCHE 1-WAY 8mm NG1 SEALED CLIP HOUSING	2	VERT GREEN	SILICONE MVO 50 AUTOLUBRIFIE SILICONE MVO 50 SELF-LUBRICATED	JOINT INTERFACIAL INTERFACIAL SEAL	1
			1	NOIR BLACK	PBT	PORTE-CLIP CLIP HOUSING	1

REFERENCE DES COMPOSANTS / COMPONENTS PART NUMBER			
REFERENCE TE TE REFERENCE	1544603-1	1544603-2	1544603-3

THIS DRAWING IS A CONTROLLED DOCUMENT. DATE: 31 JUL 2007
 DIMENSIONS: (mm) UNITS: (mm) UNITS: (mm) UNITS: (mm) UNITS: (mm)
 MATERIAL: PBT FINISH: - WEIGHT: 6.4 g
 CUSTOMER DRAWING: - SCALE: 3:1 SHEET 1 OF 1 REV 0

TE Connectivity
 PORTE CLIP 1 VOIE 8mm NG1
 ETANCHE / 1 WAY 8mm NG1
 SEALED RECEPTACLE ASSEMBLY
 00779 © 1544603