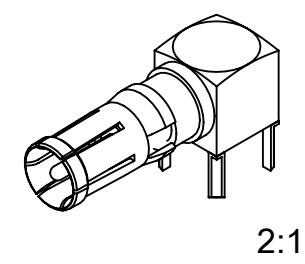
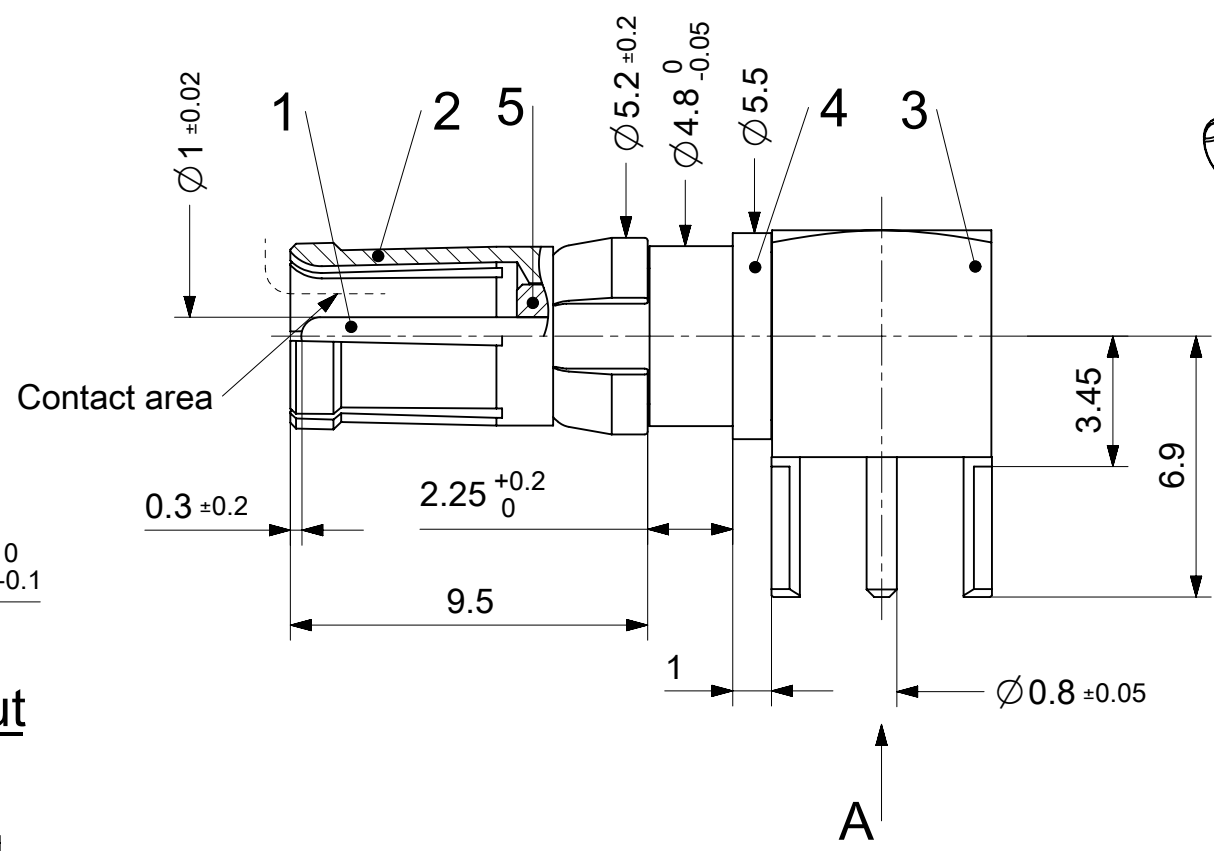
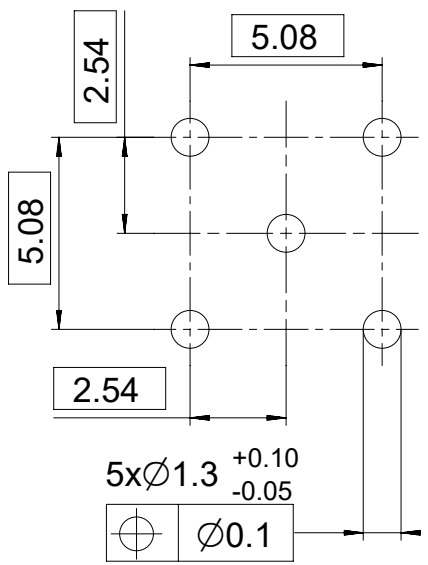


PCB-LAYOUT



RoHS compliant
by exemption

1731120197	FME009S102	102
Material Number	FCT Part Number	Material + Finish See extra sheet

UNLESS OTHERWISE SPECIFIED DIMENSIONS FOR REFERENCE ONLY		REPLACEMENT FOR DOCUMENT NUMBER: FME009S	
FUNCTIONAL SYMBOLS	THIS DRAWING CONTAINS INFORMATION THAT IS PROPRIETARY TO MOLEX ELECTRONIC TECHNOLOGIES, LLC AND SHOULD NOT BE USED WITHOUT WRITTEN PERMISSION		
$\frac{F}{A} = 0$	DIMENSION UNITS	SCALE	CURRENT REV DESC:
$\frac{F}{E} = 0$	mm	5:1	EC NO: 714923
$\frac{F}{P} = 0$	GENERAL TOLERANCES (UNLESS SPECIFIED)		DRWN: MTEUBEL 2022/07/20
DIVISIONAL SYMBOLS	ANGULAR TOL ± °		CHK'D: FVETTER 2022/07/20
	4 PLACES ±		APPR: FVETTER 2022/07/20
	3 PLACES ±	INITIAL REVISION:	
	2 PLACES ±	DRWN: VLOKESHA 2021/04/16	
	1 PLACE ±	APPR: FVETTER 2022/06/13	
	0 PLACES ±		
DRAFT WHERE APPLICABLE MUST REMAIN WITHIN DIMENSIONS	FIRST ANGLE PROJECTION	DRAWING	SERIES
		A4-SIZE	173112
		MATERIAL NUMBER	CUSTOMER
		SEE TABLE	GENERAL MARKET
		DOCUMENT NUMBER	DOC TYPE DOC PART REVISION
		1731120197	PSD 000 A1
			SHEET NUMBER
			1 OF 1

DOCUMENT STATUS	P1	RELEASE DATE	2022/07/20	12:33:23
-----------------	----	--------------	------------	----------