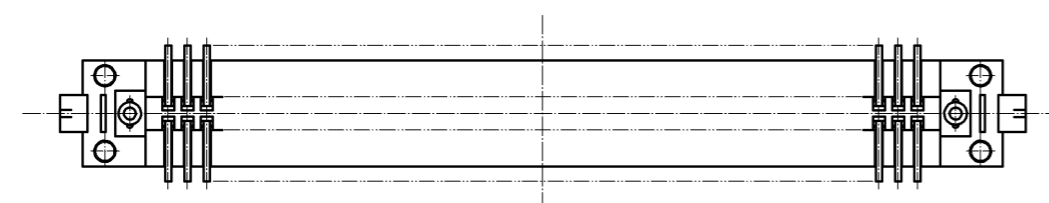
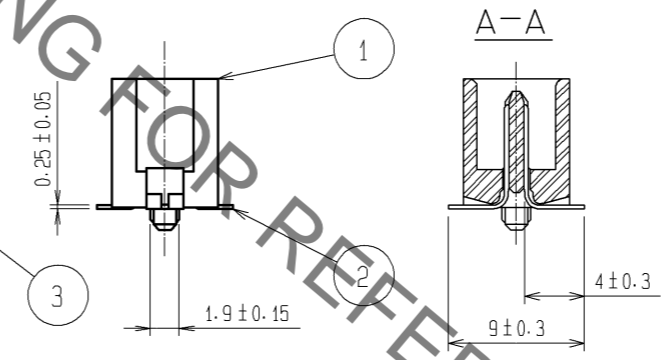
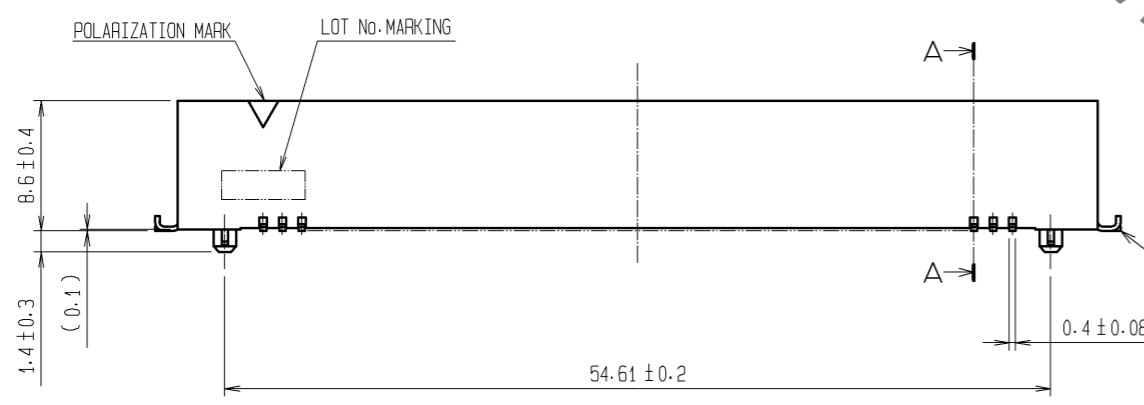
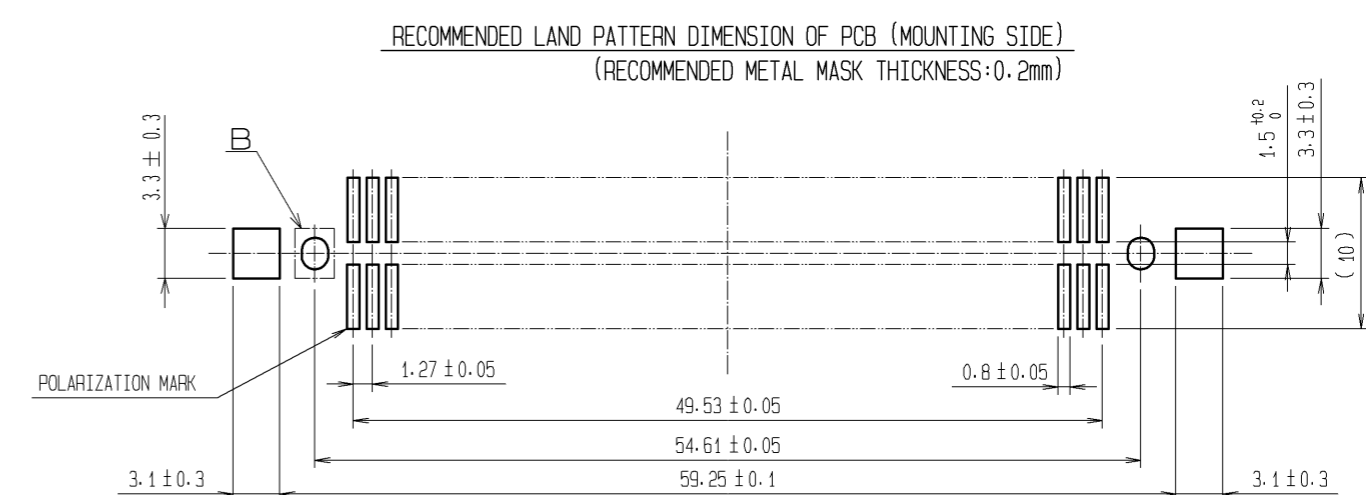
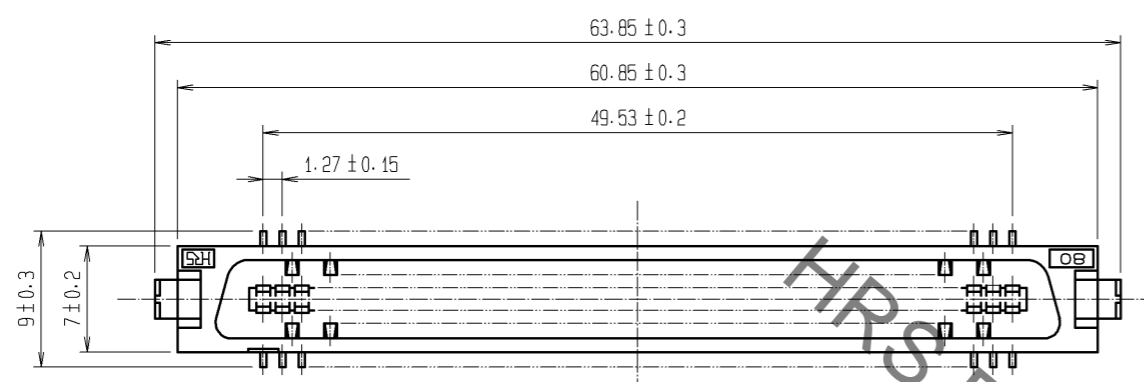


May.1.2023 Copyright 2023 HIROSE ELECTRIC CO., LTD. All Rights Reserved.
In case of consideration for using Automotive equipment / device which demand high reliability, kindly contact our sales window correspondents.

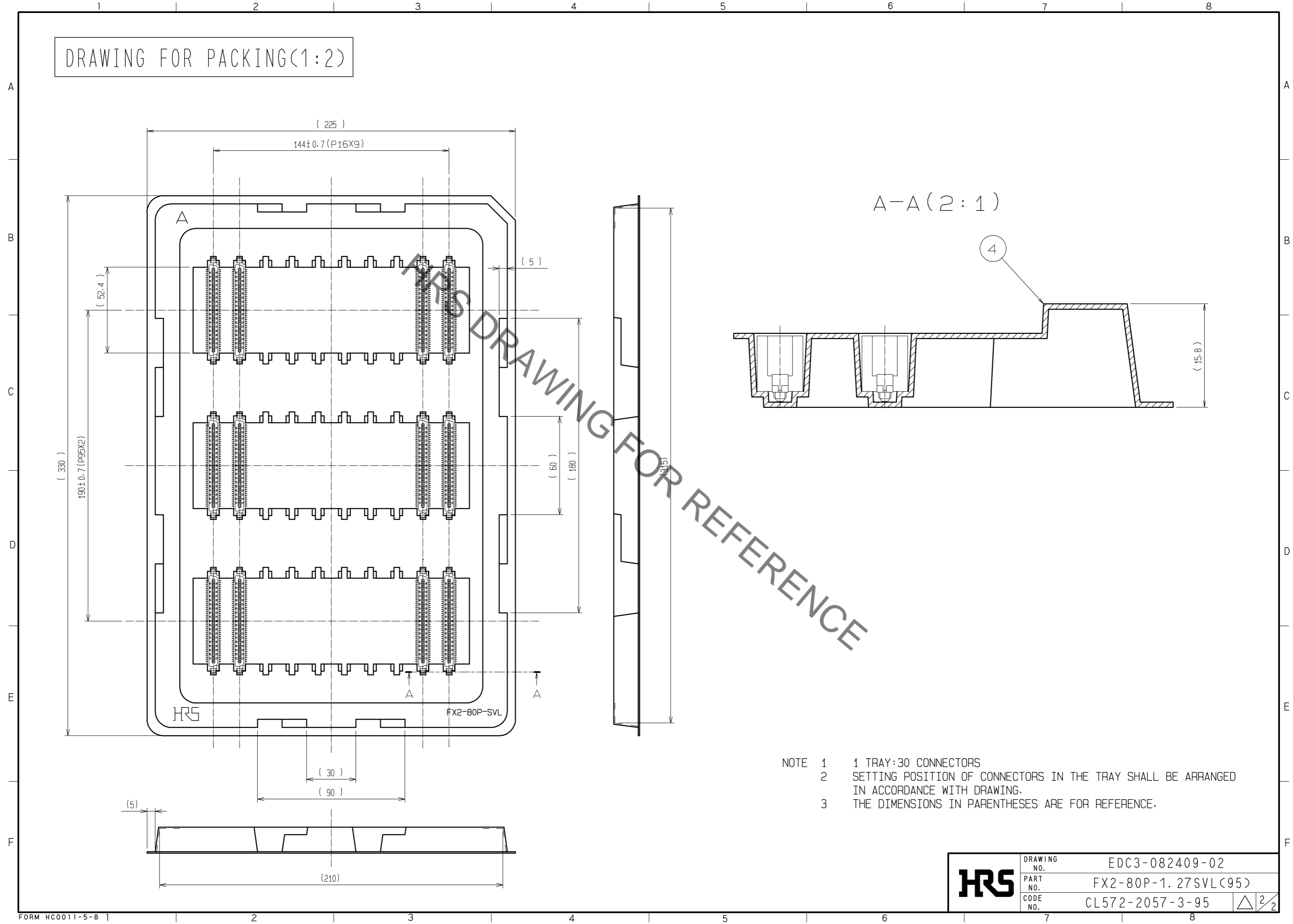


- NOTE
- 1 LEAD CO-PLANARITY SHALL BE 0.15mm MAX.
 - 2 THE DIMENSIONS IN PARENTHESES ARE FOR REFERENCE.
 - 3 TRAY PACKAGING SHALL BE APPLIED TO THIS PRODUCT. SEE NEXT PAGE FOR DETAILS.

2	PHOSPHOR BRONZE	CONTACT AREA:GOLD 0.2#m min. LEAD AREA:TIN-PLATING 2#m min. UNDER PLATING:NICKEL 2#m min.	4	PS	TRAY			
1	PPS	LIGHT BROWN (UL94V-0)	3	BRASS	TIN-PLATING			
NO.	MATERIAL	FINISH . REMARKS	NO.	MATERIAL	FINISH . REMARKS			
UNITS		SCALE	COUNT	DESCRIPTION OF REVISIONS		DESIGNED	CHECKED	DATE
mm		2 : 1						
HRS HIROSE ELECTRIC CO., LTD.		APPROVED : HS. OKAWA	09.12.21	DRAWING NO. EDC3-082409-02				
		CHECKED : HT. YAMAGUCHI	09.12.21	PART NO. FX2-80P-1.27SVL(95)				
		DESIGNED : SY. KAMIGA	09.12.21	CODE NO. CL572-2057-3-95				
		DRAWN : HK. SUNADORI	09.12.19					

May.1.2023 Copyright 2023 HIROSE ELECTRIC CO., LTD. All Rights Reserved.
 In case of consideration for using Automotive equipment / device which demand high reliability, kindly contact our sales window correspondents.

DRAWING FOR PACKING(1:2)



- NOTE 1 1 TRAY:30 CONNECTORS
 2 SETTING POSITION OF CONNECTORS IN THE TRAY SHALL BE ARRANGED IN ACCORDANCE WITH DRAWING.
 3 THE DIMENSIONS IN PARENTHESSES ARE FOR REFERENCE.

HRS	DRAWING NO.	EDC3-082409-02	
	PART NO.	FX2-80P-1.27SVL(95)	
	CODE NO.	CL572-2057-3-95	△ 2/2