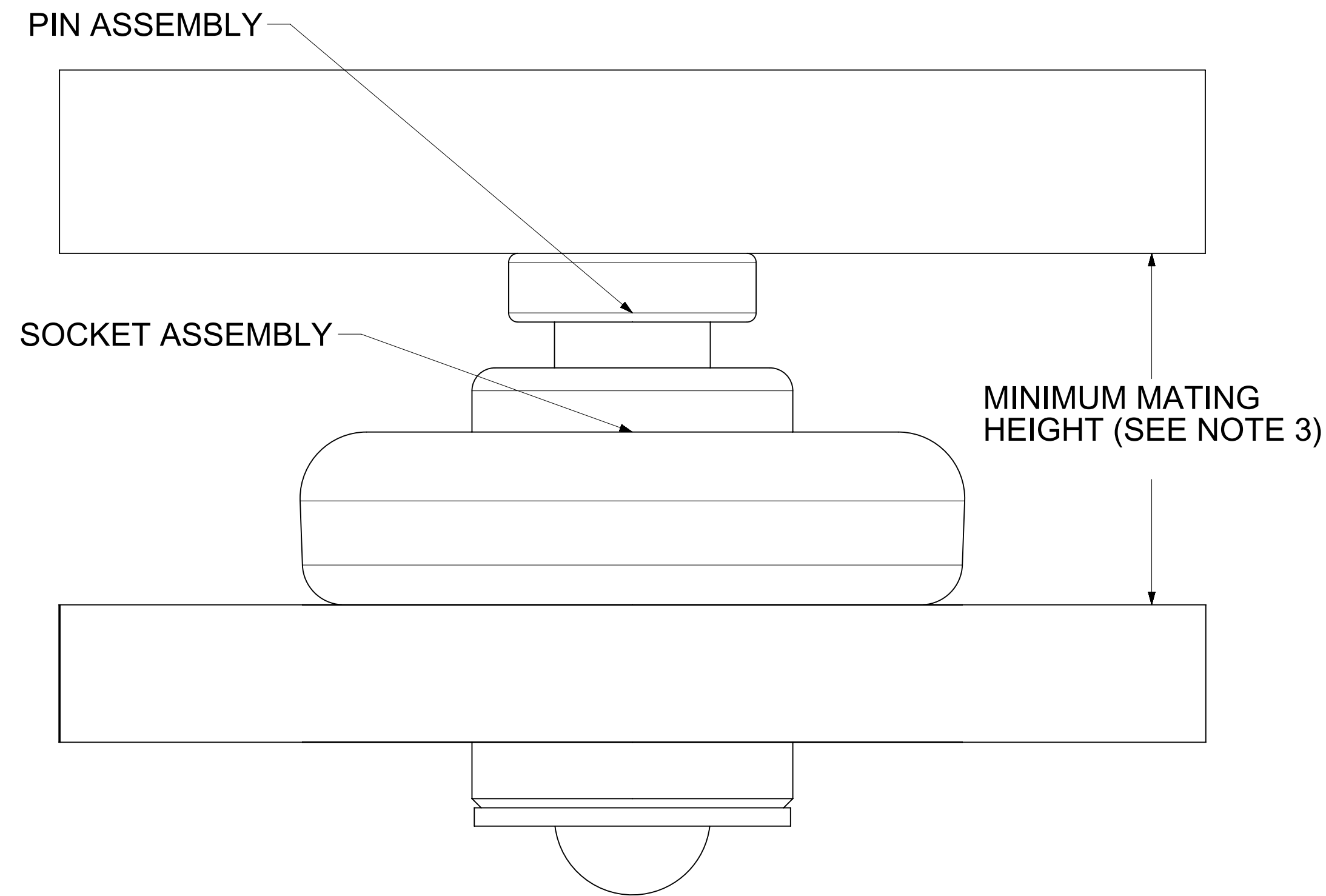
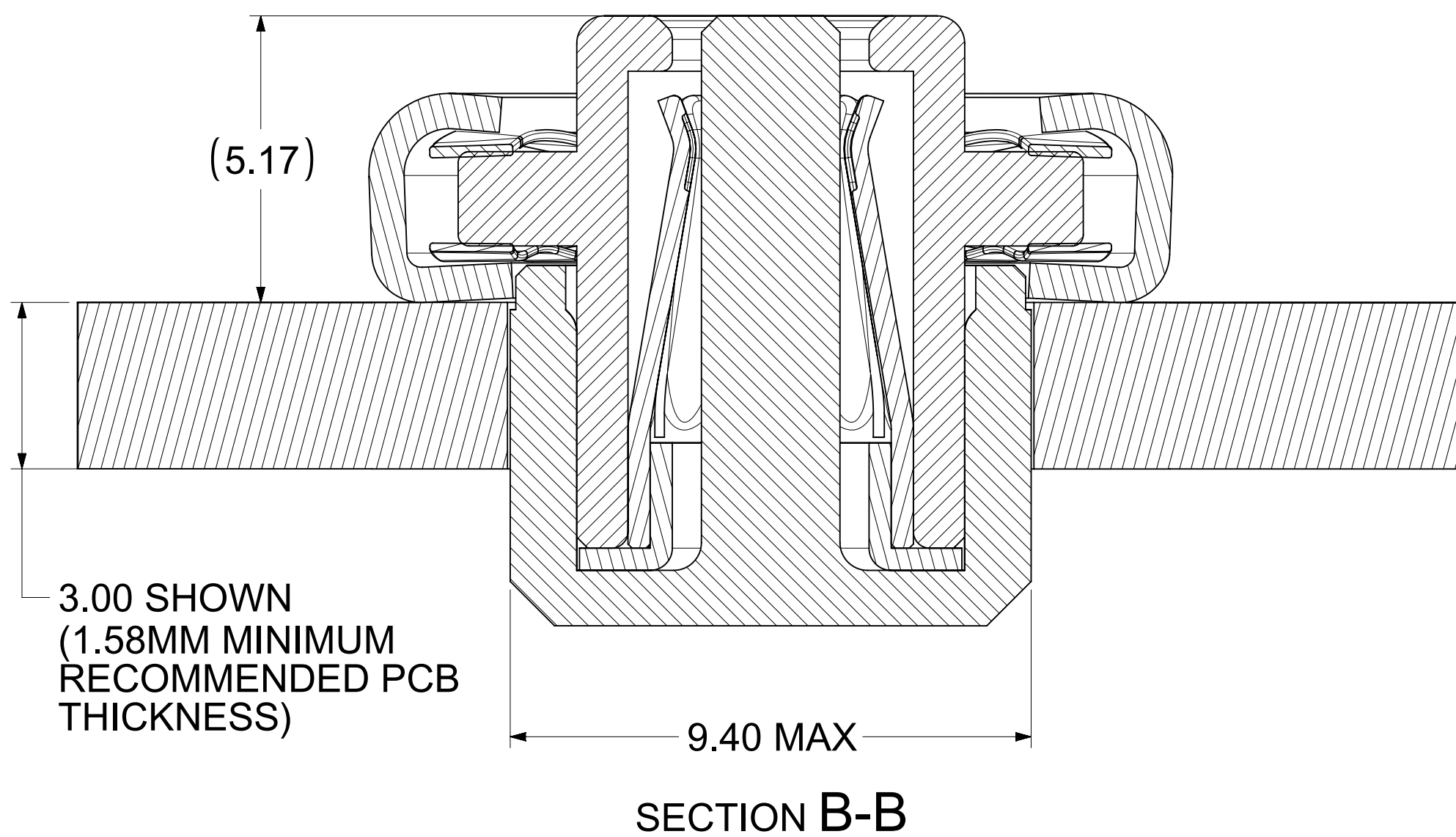
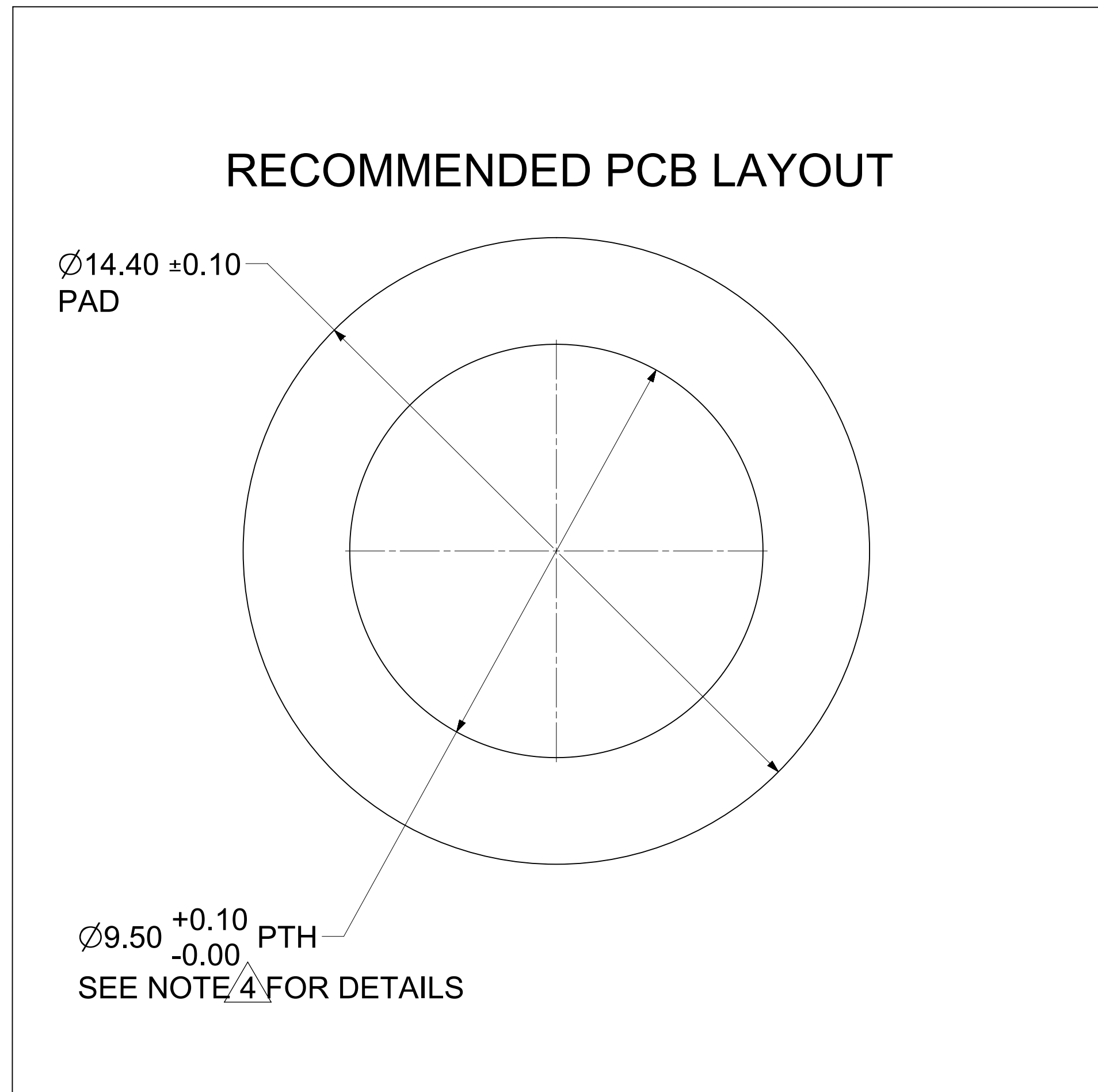
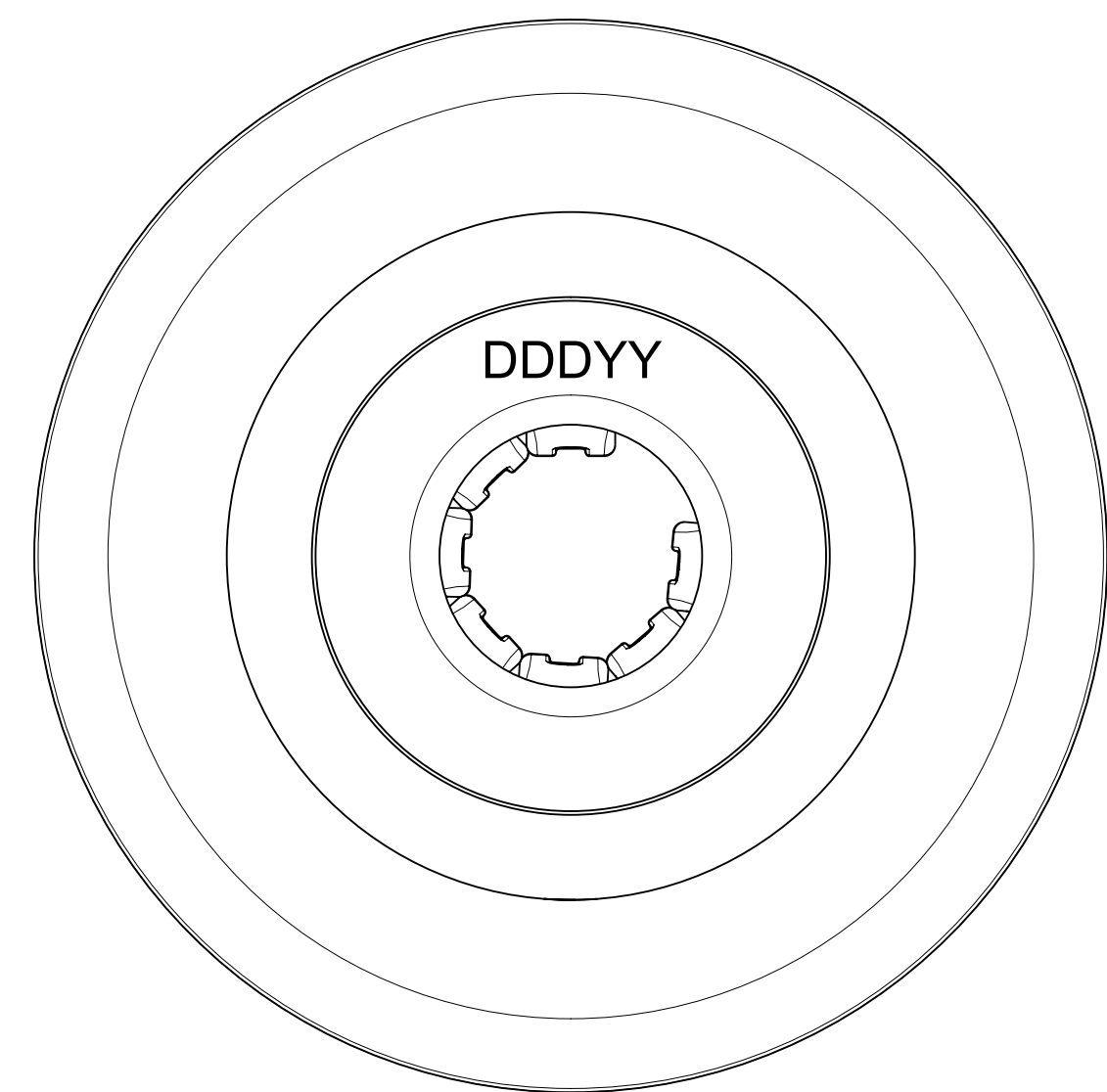
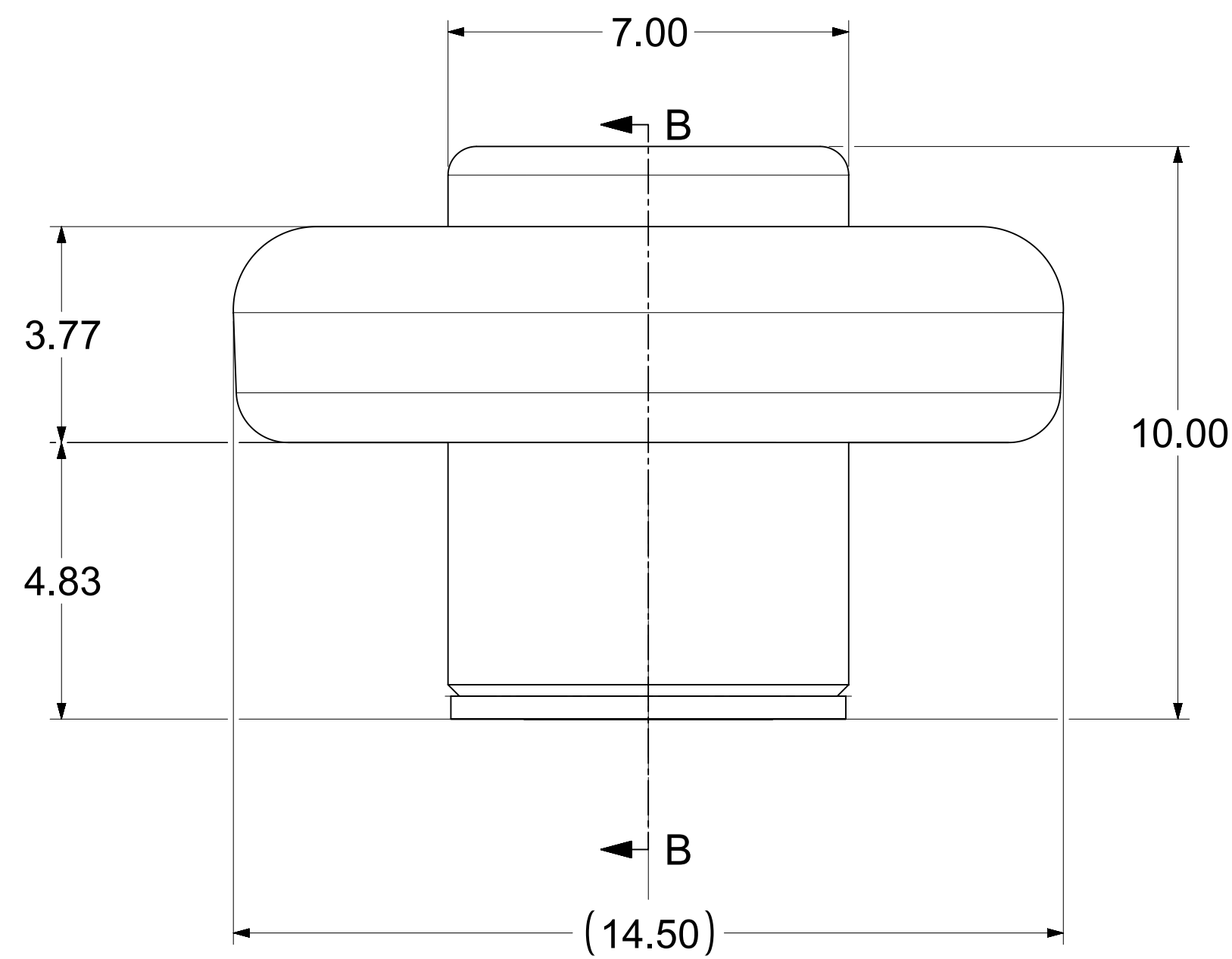


REMOVABLE
PICK AND PLACE
CAP SHOWN



MATING PROFILE

NOTES:

1. MATERIALS:
RETENTION CAP: STAINLESS STEEL
PICK AND PLACE CAP: LCP UL94, V-0 COLOR BLACK
BASE METAL: HIGH CONDUCTIVE COPPER ALLOY
PLATING ON CONTACTS: 0.75 MICRON MIN GOLD OVER 1.27 MICRON MIN NICKEL
PLATING ON BODY: 3.18 MICRON MIN SILVER OVER 1.27 MICRON MIN NICKEL
2. MATES WITH THE STANDARD PIN DRAWINGS:
i. 3.4MM SMT DRAWING 2032631134-SD, MIN. MATE DISTANCE 7.92
ii. 3.4MM PRESS FIT DRAWING 2032630034-SD, MIN. MATE DISTANCE 7.67MM
3. PRODUCT SPECIFICATION: 2043130018-PS
4. APPLICATION SPECIFICATION: 2043130018-AS
5. PACKAGING SPECIFICATION: 2043130018-PK
6. SILVER COMPONENTS WILL BE SUPPLIED TARNISH FREE BUT MAY TARNISH OVER TIME.
7. PICK AND PLACE CAP TO BE REMOVED AFTER SOLDERING. CAP TO BE PUSHED OUT OF BOTTOM FROM THE TOP.
8. DATE CODE TO BE LASER MARKED APPROXIMATELY WHERE SHOWN USING DDDYY FORMAT

THIS DRAWING CONTAINS INFORMATION THAT IS PROPRIETARY TO MOLEX ELECTRONIC TECHNOLOGIES, LLC AND SHOULD NOT BE USED WITHOUT WRITTEN PERMISSION

DIMENSION UNITS	SCALE	CURRENT REV DESC: UPDATED THE TITLE BLOCK	
mm	NTS		
GENERAL TOLERANCES (UNLESS SPECIFIED)			
ANGULAR TOL	± 0.5°		
4 PLACES	±	EC NO: 747243	
3 PLACES	±	DRWN: SOURAJ	2023/04/19
2 PLACES	± 0.15	CHK'D: SCS02	2023/04/25
1 PLACE	± 0.25	APPR: HTHYAGARAJ	2023/04/26
0 PLACES	±	INITIAL REVISION:	
DRAFT WHERE APPLICABLE MUST REMAIN WITHIN DIMENSIONS		DRWN: JJONIAK	2017/05/11
		APPR: BPISZCZOR	2019/05/30
THIRD ANGLE PROJECTION		DRAWING	SERIES
		D-SIZE	204365
		MATERIAL NUMBER	CUSTOMER
		2043650018	GENERAL MARKET
		DOCUMENT NUMBER	DOC TYPE DOC PART REVISION
		2043650018-SD	PSD 000 B2
		SHEET NUMBER	
		1 OF 1	

molex

3.4MM SENTRALITY TOP ENTRY SMT
SOCKET WITH FLOAT IN TRAY

PRODUCT CUSTOMER DRAWING