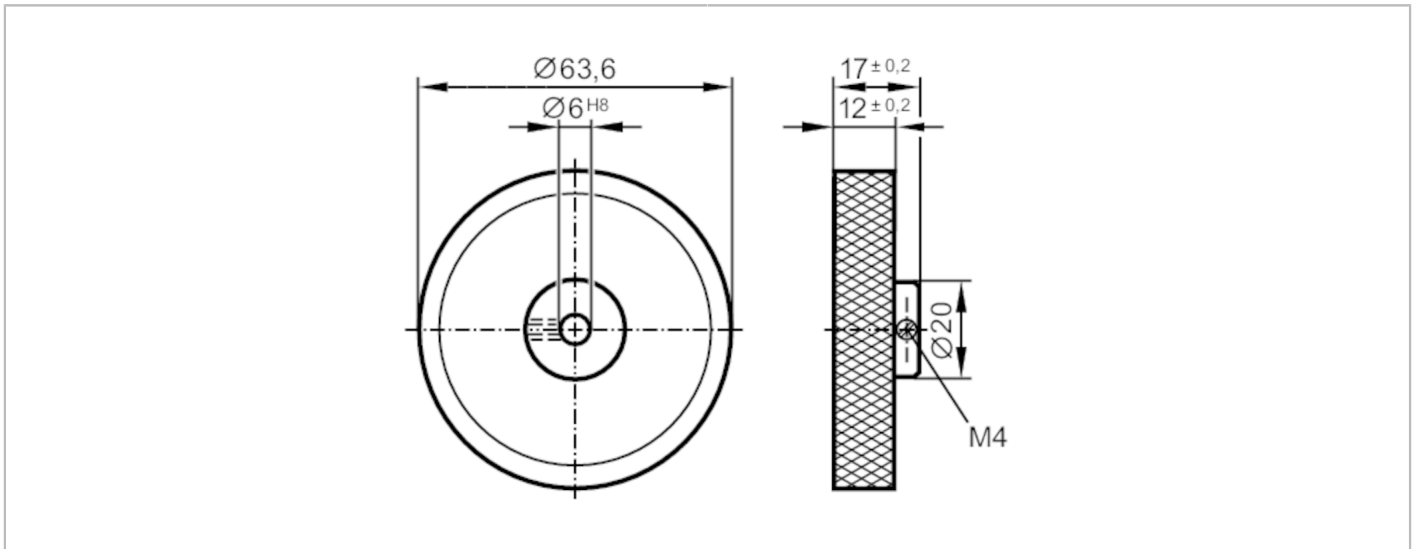


E60006



Measuring wheel

MEASURING WHEEL U:200 N:06



Application

Design cross-knurl

Operating conditions

Ambient temperature [°C] -30...80

Mechanical data

Weight [g] 66.8

Inside diameter [mm] 6

External diameter [mm] 63.6

Materials wheel: aluminium; surface characteristics: aluminium

Circumference [mm] 200

Remarks

Pack quantity 1 pcs.