

ADS61JBxx EVM User's Guide

This document is intended to serve as a user's guide for the ADS61JBxx EVM (EVM). The ADS61JB23 EVM provides a platform for evaluating the ADS61JB23, which is a single channel, 12-bit ADC operating at sampling rates of up to 80 Msps, with the digital data output on a JESD204 8b10b-coded serial link at data rates of up to 1.6 Gbps. The ADS61JB46 EVM supports the 14-bit, 160 Msps ADS61JB46.

This EVM is ideally suited for mating with the TSW1200 or TSW1400 Capture Cards for performing a data capture into a capture buffer, uploading the sample data to a PC, performing an FFT, and reporting on SNR, SFDR, and other performance metrics. Since the TSW1200 does not have native support for JESD204 serial links, the ADS61JBxx EVM has an FPGA to deserialize the sample data and reformat it to an LVDS DDR parallel data format that the Capture Card can accept.

Contents

1	Overview	2
2	Software Control	9
3	Basic Test Procedure	11

List of Figures

1	Simplified EVM Block Diagram.....	2
2	Simplified EVM Power Supply.....	3
3	EVM Jumpers and Switches.....	4
4	EVM Solder Options	6
5	CML Termination Options.....	8
6	Control Options.....	9
7	Test Setup Block Diagram	11
8	TSW1200 FFT Result.....	13

List of Tables

1	Square Post Jumpers	7
2	Surface Mount Jumpers.....	8

1 Overview

1.1 EVM Block Diagram

Figure 1 shows a simplified block diagram of the default configuration of the EVM. The analog input is supplied to the EVM through a single-ended SMA connection, then transformer coupled to turn the single ended signal into a balanced differential signal, and then input to the ADS61JBxx. A dual transformer input circuit is used for better phase and amplitude balance of the input signal than would typically be produced by a single transformer input circuit.

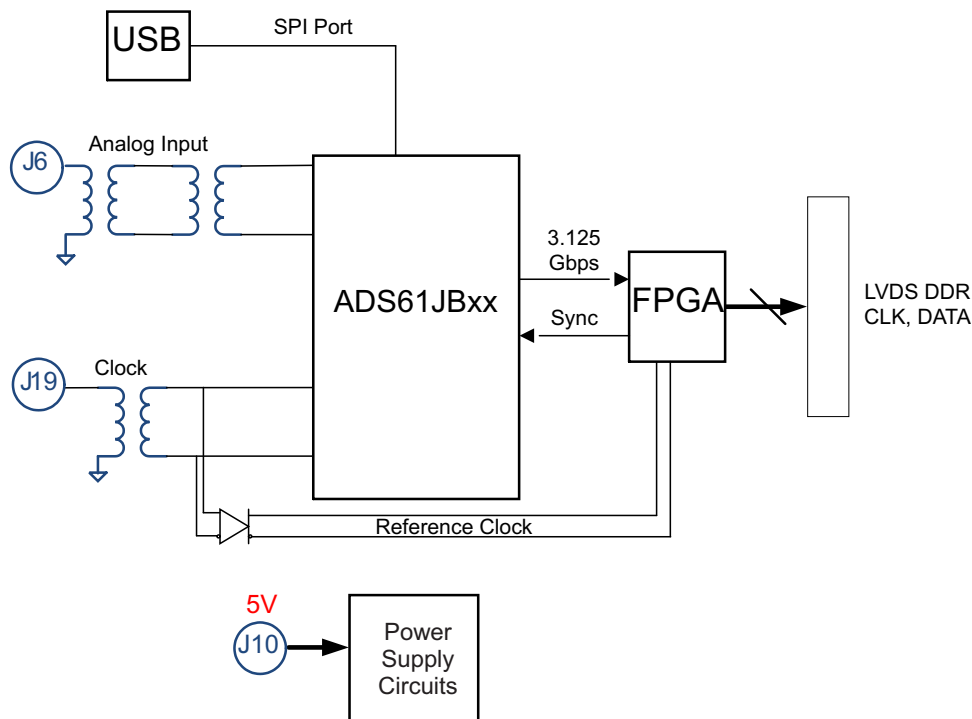


Figure 1. Simplified EVM Block Diagram

The clock input is supplied by way of a single-ended signal to an SMA connector and transformer coupled to produce a differential clock signal for the ADS61JBxx.

Power to the EVM is supplied by a single 5-V connection by way of banana jacks. All necessary voltages for the ADS61JBxx are derived from the 5-V input connection.

1.2 EVM Power Supply

Figure 2 shows the power supply options available on the ADS61JBxx EVM. Jumpers are used to choose the power supply options. The default jumper position is indicated by the darker portion of the jumper that represents the presence of the jumper.

There are two power supply options for getting the 5-V power to the EVM. The 5-V power may be input directly to the banana jack (J10). Alternatively, a higher supply followed by an LDO voltage within the range of 6 V to 36 V may be input to J10 and an efficient DC-DC switching power supply is used to generate 5 V from the higher input supply. From the 5-V supply rail, linear low dropout (LDO) regulators are used to generate the 1.8 V for the analog and digital supplies for the ADS61JBxx, the 3.3 V for the input buffer of the ADS61JBxx, and the various supplies needed for the FPGA.

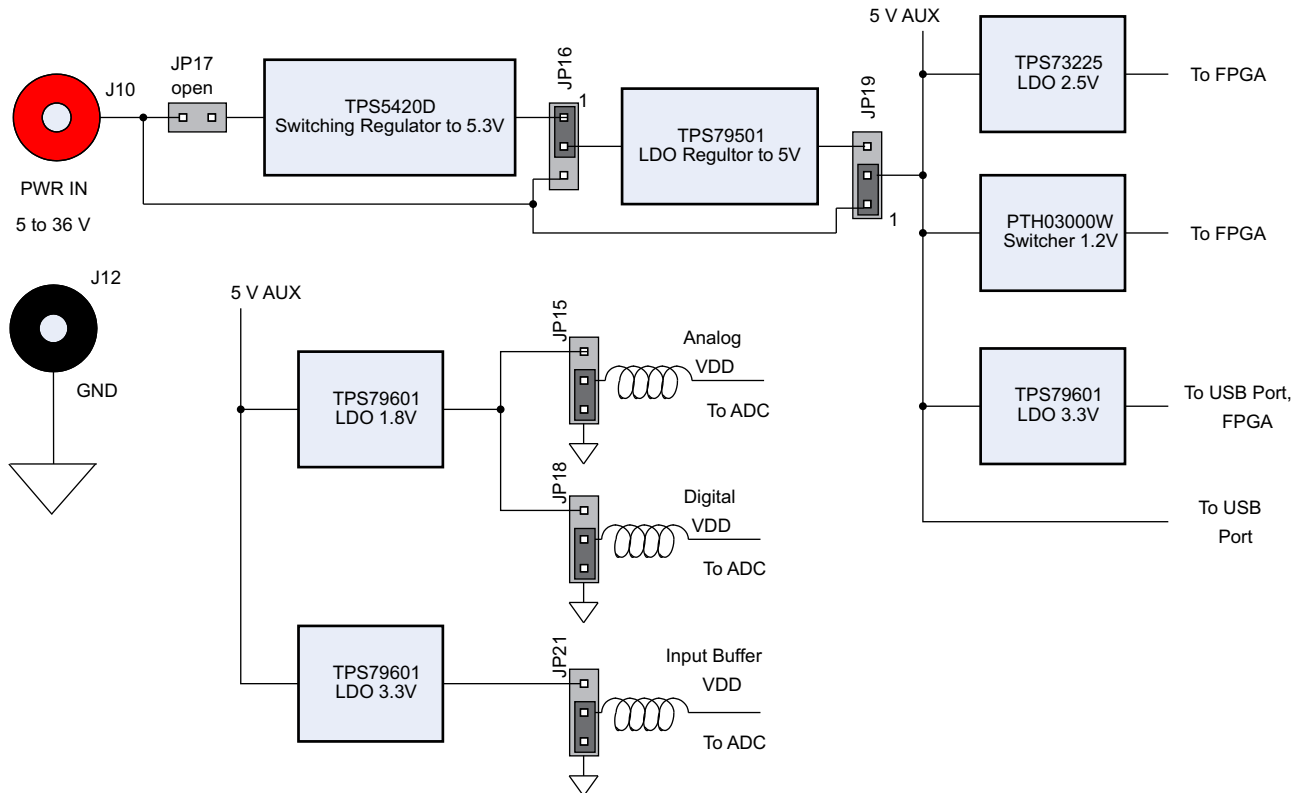


Figure 2. Simplified EVM Power Supply

1.3 EVM Jumper and Switches

There are many jumpers on the ADS61JBxx EVM to select operational modes of the ADC, power supply options, and SPI port options. Many of the jumper selections that involve DC inputs or static control signals are by way of push-on square post jumpers. Figure 3 illustrates the position of the jumpers relative to the more recognizable features of the EVM, such as the banana jacks or SMA inputs. Jumper selections that involve high-speed switching signals are implemented by way of surface mount zero-Ω jumper resistors, represented in Figure 4. In both figures, the default jumper positions are indicated as the EVM is normally shipped. Note that some of the jumpers are left open circuit, by default. The surface mount jumper resistors require soldering to change from default to any other desired configuration.

The functions of the connectors, LEDs and pushbutton switches are described by their labels in Figure 2. LEDs D4, D5, D6, and D7 are lit to show the presence of the supply voltages to the EVM and to the ADC. LED D8 indicates that the FPGA has loaded its bit file from the EEPROM. LEDs D9 and D10 are reserved for future use.

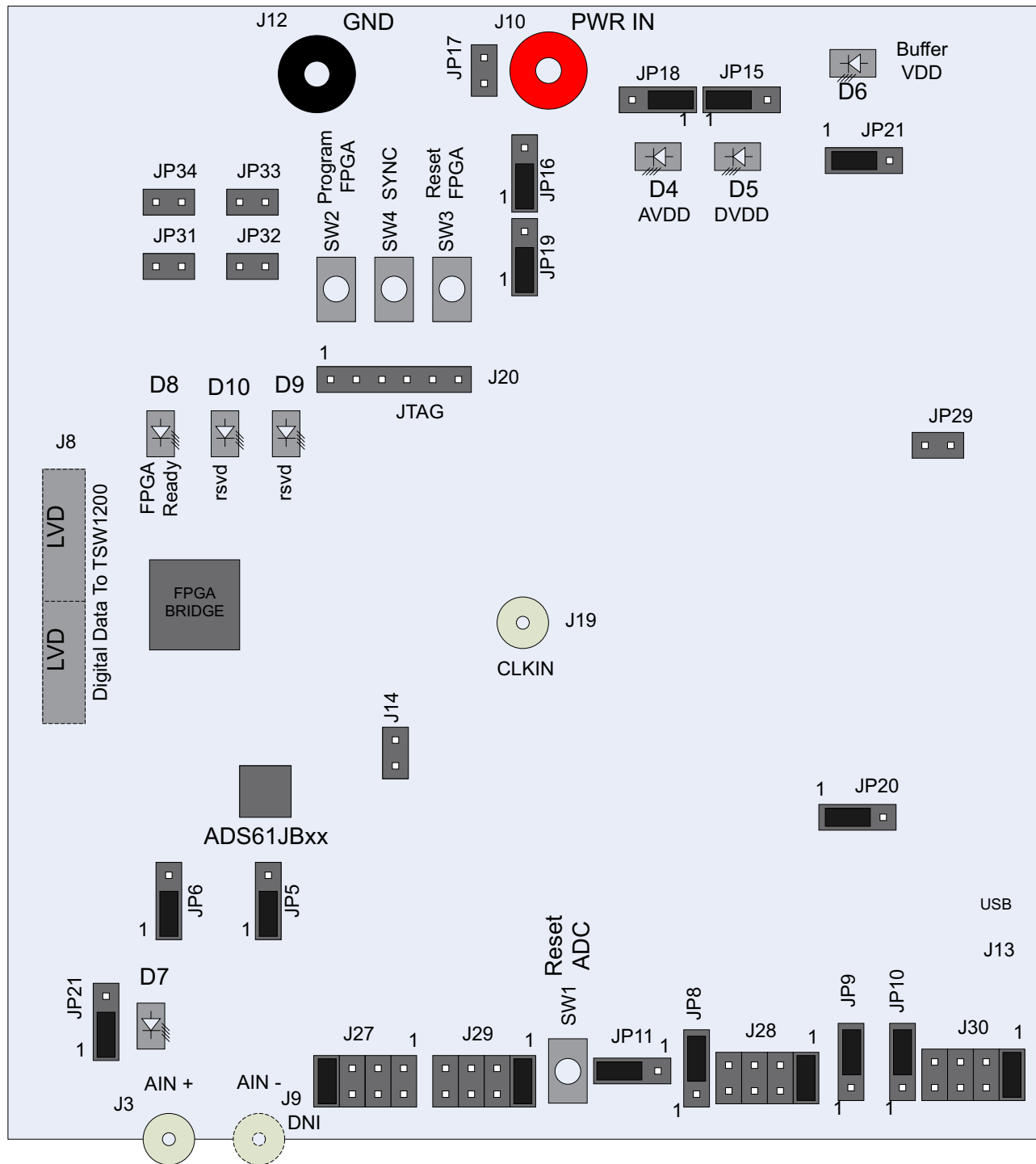


Figure 3. EVM Jumpers and Switches

There are four pushbutton switches on the EVM. Pushbutton switch SW1 may be used to assert a reset signal to the ADS61JBxx. The ADS61JBxx requires a reset before it may be configured for use, but it is not necessary to use the switch (SW1). It is also acceptable to use the ADS61JBxx SPI GUI to toggle the reset register bit in the ADS61JBxx register map.

The remaining pushbutton switches are used by the FPGA. SW2 causes the FPGA to reload its programming from the on-board flash EEPROM. (As the FPGA loads its programming from memory upon every power cycle, the use of SW2 is often not necessary.) SW3 is used to reset the serial receivers in the FPGA.

Note: This is necessary after every disruption of the serial link.

That is, after every power cycle or disruption of the sample clock, the FPGA receivers must be reset by pressing SW3. SW4 causes the FPGA to assert the SYNC signal back to the ADS61JBxx, which in turn causes the ADS61JBxx to send a special synchronization pattern on the serial lines letting the receiver find byte-alignment to the sample boundaries on the serial lines.

Note: After every assertion of SW3, SW4 must be asserted as well.

To summarize, the usual sequence to bring up the EVM after power is applied, is to reset the ADC by either SW1 or by the SPI GUI, followed by processing SW3 and then SW4. After every disruption of the clock to the EVM, press SW3 and then SW4.

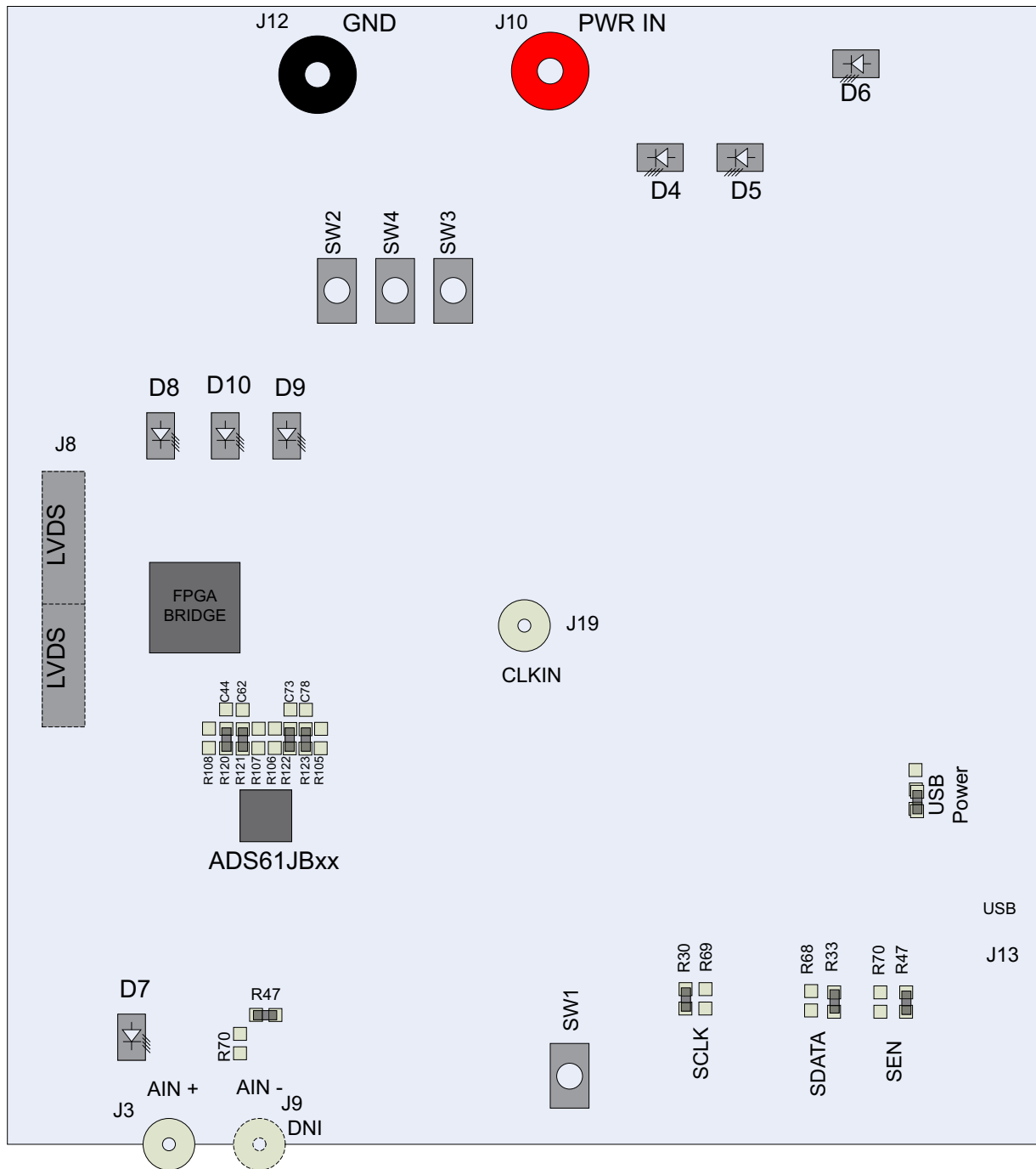


Figure 4. EVM Solder Options

Table 1 lists the jumper options of the EVM by category, along with the default position of the jumper and a description of what the jumper does in the possible positions that the jumper might be set. Three pin jumpers have an indication of pin 1 position both in Figure 2 and in the silkscreen on the top of the EVM itself. A jumper installed between pins 1 and 2 is designated by 1-2 while a jumper installed between pins 2 and 3 is designated by 2-3. Silkscreen on the top of the EVM indicates the position of the jumpers. For more detailed information on the function of each jumper position, see the ADS61JB23 data sheet (SLOS755) or the ADS61JB46 data sheet (SBAS611).

For the power supply jumpers, note that the jumpers used to select between the DC-DC regulator or the LDO regulator must be moved in pairs. If jumper JP17 is set to route power to the DC-DC regulator, then jumper JP19 must also be set to connect the DC-DC regulator to the ADS61JBxx supplies or the ADC will not receive power.

Table 1. Square Post Jumpers

Jumper	Default	Description
Power Supply		
JP17	open	Connects J10 red banana jack to DC-DC converter to generate 5.3 V
JP16	1-2	Selects source on 5.3-V supply rail – DC-DC converter or J10 banana jack
JP19	2-3	Selects source of 5-V supply (1-2 J10 red banana jack) (2-3 from 5.3-V internal supply)
JP15	1-2	Connects 1.8 V to ADS61JBxx AVDD analog supply
JP18	1-2	Connects 1.8 V to ADS61JBxx DVDD digital supply
JP21	1-2	Connects 3.3 V to ADS61JBxx input buffer supply
JP29	open	Inhibit the 1.2-V digital supply to the FPGA, when connected
ADC CONTROL PINS		
JP5	1-2	Power Down (1-2 = Normal Operation) (2-3 = Power Down)
JP6	1-2	Power Down Analog Circuitry (1-2 = Normal Operation) (2-3 = Power Down)
JP8	1-2	SCLK source (1-2 = SCLK from J28) (2-3 = SCLK driven as SPI Clock)
JP9	1-2	SDATA source (1-2 = SDATA tied high) (2-3 = SDATA driven as SPI Data)
JP10	1-2	SEN Source (1-2 = SEN from J30) (2-3 = SEN driven as SPI Enable)
JP11	2-3	Reset Source (1-2 = Reset from SW1) (2-3 = Reset driven by USB Port)
J27	1-2	DFS Selection (1-2 = DFS 0 V) (3-4 = DFS 3 or 8 AVDD) (5-6 = DFS 5/8 AVDD) (7-8 = DFS AVDD)
J28	1-2	SCLK Selection (1-2 = SCLK 0 V) (3-4 = SCLK 3 or 8 AVDD) (5-6 = SCLK 5/8 AVDD) (7-8 = SCLK AVDD)
J29	1-2	Mode1 Selection (1-2 = MODE1 0 V) (3-4 = MODE1 3 or 8 AVDD) (5-6 = MODE1 5/8 AVDD) (7-8 = MODE1 AVDD)
J30	open	SEN Selection (1-2 = SEN 0 V) (3-4 = SEN 3 or 8 AVDD) (5-6 = SEN 5/8 AVDD) (7-8 = SEN AVDD)
JP30	1-2	SDOUT Connects SDOOUT to J32
J31		Gnd pin. Located in such a way to easily let SDATA JP9 be jumpered to ground
USB Port Power		
JP20	2-3	IO supply selection (1-2 power from USB port) (2-3 power from EVM)
FPGA Control		
J20	open	JTAG header for FPGA programming and debugging
JP31	open	Reserved for rate selection
JP32	open	Reserved for rate selection
JP33	open	Reserved
JP34	open	Scrambling (open = normal data format) (jumpered = scrambled format)

Surface mount zero-Ω resistor jumpers are described in [Table 2](#). The four SPI lines to the ADC (SCLK, SEN, SDATA, and SDO) are driven by the USB port on the EVM under the control of the ADS61JBxx SPI GUI software, by default. Alternatively, the TSW1200 Capture Card and its user interface may be used to perform SPI writes to the ADC, in which case, four surface mount resistors must be removed from their default positions and soldered in the alternate positions.

The ADS61JBxx has a VCM pin that outputs a common mode voltage which may be used to bias the common mode level of the analog input. Since the ADS61JBxx has a buffered analog input and the input signal is internally biased to VCM if the signal is AC coupled, the VCM pin is unconnected, by default. A zero-Ω jumper resistor may be installed to connect the VCM to the analog input termination network.

Many of the surface mount components listed in [Table 2](#) are used to select whether the serialized data outputs are to be connected to the connector or to the FPGA, as well as whether the serial pairs are to be AC coupled or DC coupled. [Figure 5](#) shows the options available, showing just one of the available two signal pairs. The default connection is to DC couple (with zero-Ω resistors) the CML (Current Mode Logic) serial outputs from the ADS61JBxx to the serial receivers of the FPGA. The FPGA then provides termination of the transmission line as well as the pull-up path to supply that the CML output drivers require. This is the simplest connection. If the FPGA is not to be used to reformat the sample data for the TSW1200 or TSW1400, then the zero-Ω resistors may be moved from their default location and instead soldered to connect the CML outputs to the EVM output connector J8. It is also possible to use AC coupling caps instead of zero-Ω jumper resistors, in which case the CML drivers will now require an additional 50-Ω pull-up resistor at the output pins of the CML driver. [Figure 5](#) shows the provisions made on the EVM for all these options.

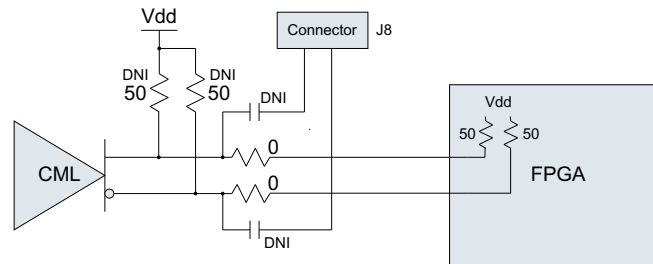


Figure 5. CML Termination Options

Table 2. Surface Mount Jumpers

Jumper	Default	Description
R57	open	Connects VCM to transformer termination mid-point
R70	open	Connects SEN to TSW1200, TSW1400
R47	installed	Connects SEN to USB port on ADS61JBxx EVM
R33	installed	Connects SDATA to USB port on ADS61JBxx EVM
R68	open	Connects SDATA to TSW1200, TSW1400
R30	installed	Connects SCLK to USB port on ADS61JBxx EVM
R69	open	Connects SCLK to TSW1200, TSW1400
R118	open	Connects SDO to TSW1200, TSW1400
Analog Input Channel Single Ended vs. Differential Option		
R77	open	Connects SMA input to transformer primary negative side (differential input)
R78	installed	Connects input transformer primary negative side to ground (single ended input)
CML Serial Coupling and Termination Options		
R120	installed	Connects Channel A Lane 0 positive to FPGA
C44	open	Connects Channel A Lane 0 positive to Connector
R121	Installed	Connects Channel A Lane 0 negative to FPGA
C62	open	Connects Channel A Lane 0 negative to Connector
R122	installed	Connects Channel A Lane 1 positive to FPGA
C73	open	Connects Channel A Lane 1 positive to Connector
R123	Installed	Connects Channel A Lane 1 negative to FPGA
C78	open	Connects Channel A Lane 1 negative to Connector
R108	open	Pullup Resistor Channel A Lane 0 positive
R107	open	Pullup Resistor Channel A Lane 0 negative
R106	open	Pullup Resistor Channel A Lane 1 positive
R105	open	Pullup Resistor Channel A Lane 1 negative

2 Software Control

2.1 Installation Instructions

- Open the folder named ADS61JBxx_Installer_vxpx (xpx represents the latest version, currently 1.2).
- Run Setup.exe
- Follow the on-screen instructions.
- Once installed, launch by clicking on the ADS61JBxx_GUI_vxpx program in Start→Texas Instruments ADCs
- When plugging in the USB cable for the first time, the user is prompted by the Found-New-Hardware-Wizard to install the USB drivers.
 - When a pop-up screen opens, select “Continue Downloading”.
 - Follow the on-screen instructions to install the USB drivers.
 - If needed, the user can access the drivers directly in the install directory.

2.2 Software Operation

The software allows programming control of the ADC device. The front panel provides a tab for full programming of the register map of the ADS61JBxx and an advanced tab that allows for custom register accesses. The GUI tabs provide a convenient and simplified interface to the most-used registers of the device.

2.2.1 Control Options

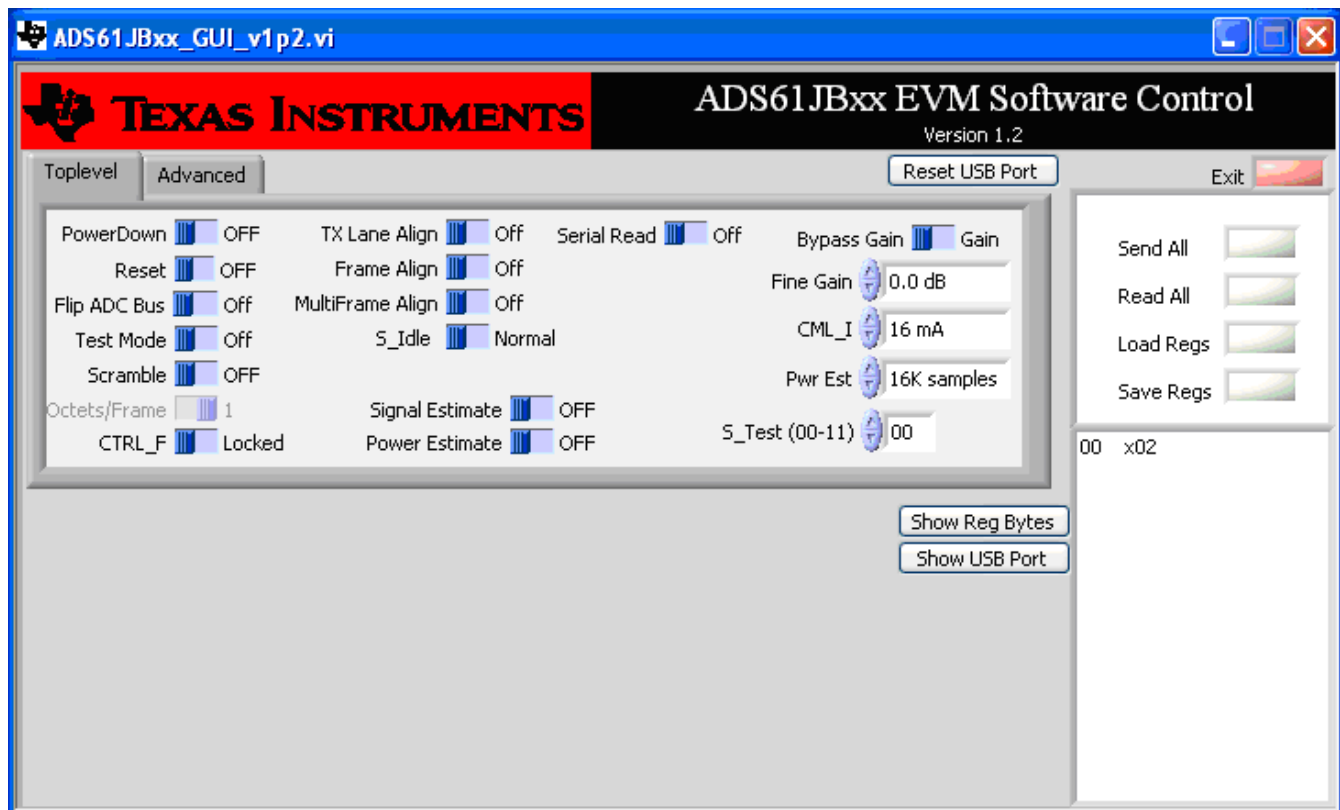


Figure 6. Control Options

2.2.2 Register Control

- *Send All:* Sends the register configuration to all devices
- *Read All:* Reads register configuration from the ADS61JBxx device (NOTE: Not implemented in version 1.2)
- *Save Regs:* Saves the register configuration for all devices
- *Load Regs:* Load a register file for all devices. Sample configuration files for common frequency plans are located in the install directory.
 - o Select *Load Regs* button
 - o Double click on the data folder
 - o Double click on the desired register file
 - o Click the *Send All* button to ensure all of the values are loaded properly

2.2.3 Misc Settings

- *Reset USB Port:* Toggle this button if the USB port is not responding. This generates a new USB handle address.
Note: Resetting the board and clicking the *Reset USB Port* button is recommended after every power cycle.
- *Exit:* Stops the program

3 Basic Test Procedure

This section outlines the basic test procedure for testing the EVM. TSW1200 is shown in [Figure 7](#), although TSW1400 or TSW1405 provide a newer and more full-featured capture system.

3.1 Test Block Diagram

The test set-up for evaluation of the EVM with the TSW1200 Capture Card is shown in [Figure 7](#). This figure is the initial setup screen from the TSW1200 User Interface itself. As seen in this figure, the evaluation setup involves a clock from a high quality signal generator and a sine wave for the analog input from a high quality signal generator. High order, narrow bandpass filters are usually required on clock and input frequency to remove phase noise and harmonic content from the input sine waves. If the two signal generators are not synchronized by an external reference signal to make the clock and input frequency coherent, then the resulting FFT first needs to have a windowing function such as Hanning or Blackman-Harris applied to the data in the Capture Card GUI.

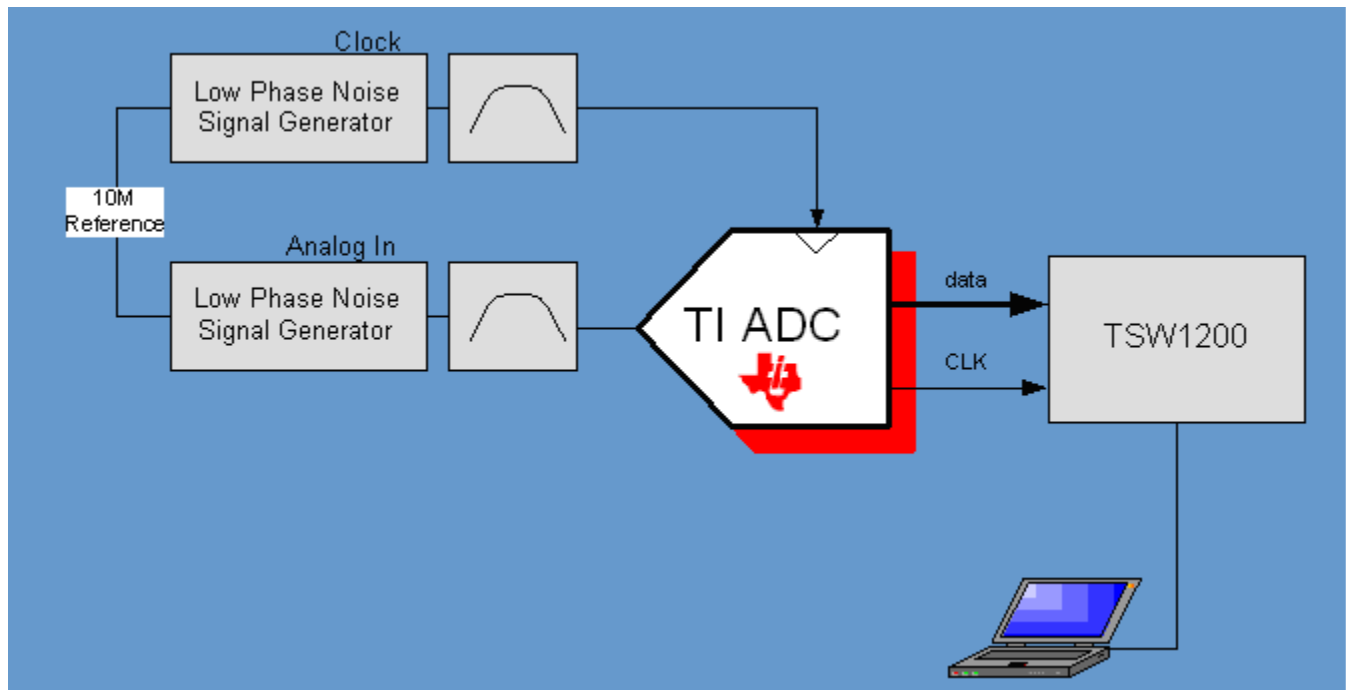


Figure 7. Test Setup Block Diagram

3.2 Test Set-up Connection

- Connect J8 connector of ADS61JBxx EVM to TSW1200 EVM or TSW1400 EVM.
- Connect 5 V to the supply input of the ADS61JBxx EVM and to supply the Capture Card.
- Provide sample clock at J1 of the ADS61JBxx EVM.
- Provide analog input sine wave to Channel A on J4.
- Connect USB cable from the TSW1200 to the programming computer.
- Connect USB cable from the ADS61JBxx to the computer if the ADS61JBxx SPI GUI is to be used.
- Make sure the following jumpers at their default setting.
 - J11 of TSW1200 set HI to choose parallel DDR LVDS data format if using TSW1200
 - Initial jumper setting of ADS61JBxx as per [Table 1](#) (if default usage of the ADC is desired).

3.3 ADS61JBxx Software Quick Start Guide

[Figure 6](#) introduced the front panel of the ADS61JBxx SPI GUI. This section covers the initial use of the SPI GUI necessary for most evaluations of the ADS61JBxx.

- Press Reset USB Port if the USB connection has been disrupted since last use, or if an error message pops up warning that the USB connection is not valid.
- Use the mouse to select the 'reset' position of the reset switch. This switch is self-clearing.
- Press Send All to send any special register writes that may be pre-stored in the Advanced tab.
- On the ADS61JBxx EVM press the SW3 pushbutton switch (resets the FPGA receivers).
- On the ADS61JBxx EVM press the SW4 pushbutton switch (Asserts SYNC input to ADS61JBxx).
- From this point, select digital functions as desired such as test pattern modes if desired. All register bits listed in the register map of the ADS61JBxx data sheet have a 'switch' on the front panel of the SPI GUI for easy configuration of the ADS61JBxx.

NOTE: Some of the front panel switches may be 'greyed out' and unavailable for use. These functions must first be enabled by selection of a different switch, as indicated in the ADS61JB23 or ADS61JB46 data sheet. For example, the octets or frame selection is unavailable because the default state of the CTRL_F switch is off. Select the CTRL_F switch to toggle the switch to the enabled state, and then the octets or frame selection becomes available for use.

3.4 TSW1200 Quick Start Operation

Reference the TSW1200 User's Guide for more detailed explanations of the TSW1200 set-up and operation. This document assumes the TSW1200 software is installed and functioning properly. *The ADS61JBxx needs TSW1200 operating software version 1.2 or higher with Rev B (or higher) of TSW1200 board.*

Single tone FFT test:

- Select the ADS61JBxx as the TI ADC Device Selection. If this device does not appear in the device selection, then the initialization file ADS61JBxx.ini is missing from the ADC Files folder where the TSW1200 User Interface was installed. Close the TSW1200 GUI, copy the ADS61JBxx.ini file into the ADC Files folder and relaunch the TSW1200 GUI.
- Select Single Tone FFT Test.
- Select number of sample points (and resulting number of FFT bins) to be used.
- Enter the ADC Sampling rate.
- Enter the input frequency desired. If the clock and input frequency signal generators are synchronized, then make sure the checkbox for coherent frequency is checked and set the input frequency signal generator to the input frequency displayed.
- Press the Capture button.
- Observe an FFT result similar to that of [Figure 8](#).

If the basic capture at this point is correct, then the front panel options of the SPI GUI and the front panel options of the TSW1200 GUI may be varied as desired.

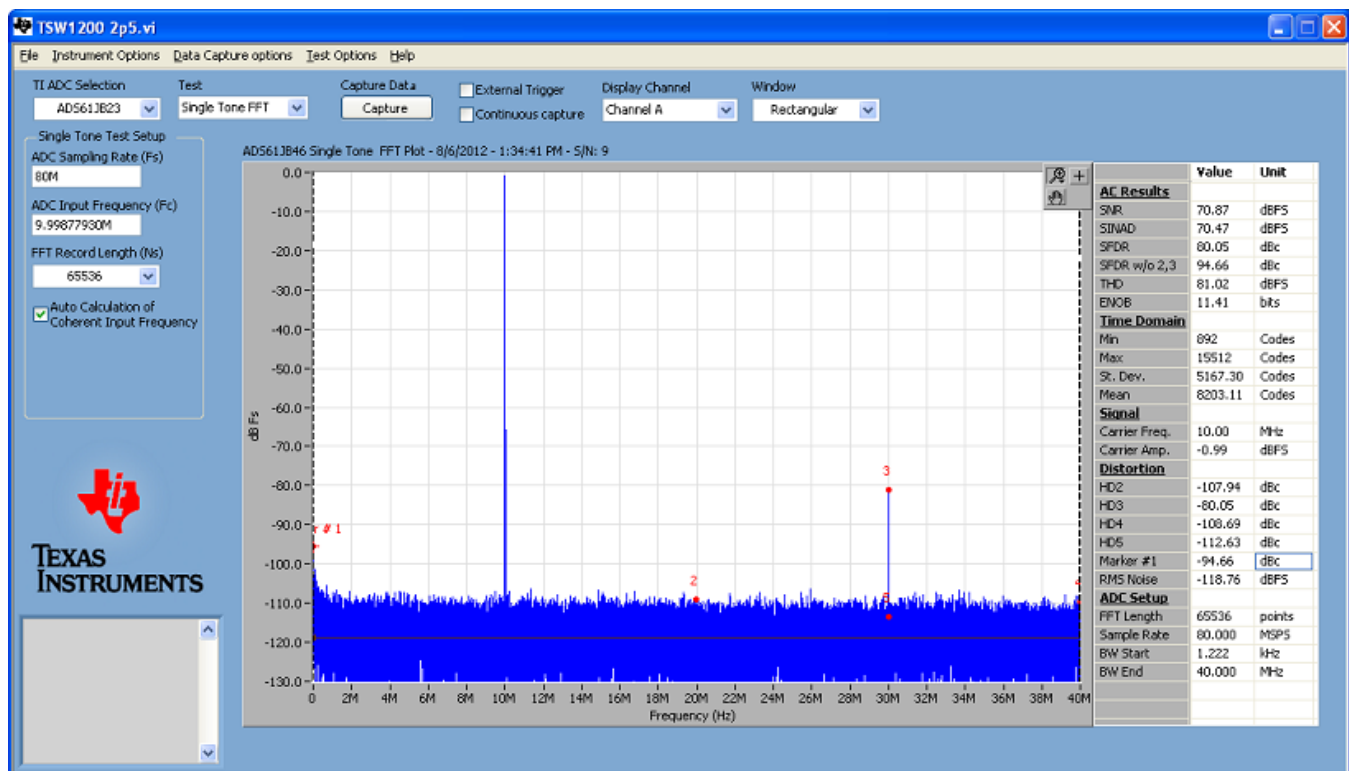


Figure 8. TSW1200 FFT Result

EVALUATION BOARD/KIT/MODULE (EVM) ADDITIONAL TERMS

Texas Instruments (TI) provides the enclosed Evaluation Board/Kit/Module (EVM) under the following conditions:

The user assumes all responsibility and liability for proper and safe handling of the goods. Further, the user indemnifies TI from all claims arising from the handling or use of the goods.

Should this evaluation board/kit not meet the specifications indicated in the User's Guide, the board/kit may be returned within 30 days from the date of delivery for a full refund. THE FOREGOING LIMITED WARRANTY IS THE EXCLUSIVE WARRANTY MADE BY SELLER TO BUYER AND IS IN LIEU OF ALL OTHER WARRANTIES, EXPRESSED, IMPLIED, OR STATUTORY, INCLUDING ANY WARRANTY OF MERCHANTABILITY OR FITNESS FOR ANY PARTICULAR PURPOSE. EXCEPT TO THE EXTENT OF THE INDEMNITY SET FORTH ABOVE, NEITHER PARTY SHALL BE LIABLE TO THE OTHER FOR ANY INDIRECT, SPECIAL, INCIDENTAL, OR CONSEQUENTIAL DAMAGES.

Please read the User's Guide and, specifically, the Warnings and Restrictions notice in the User's Guide prior to handling the product. This notice contains important safety information about temperatures and voltages. For additional information on TI's environmental and/or safety programs, please visit www.ti.com/esh or contact TI.

No license is granted under any patent right or other intellectual property right of TI covering or relating to any machine, process, or combination in which such TI products or services might be or are used. TI currently deals with a variety of customers for products, and therefore our arrangement with the user is not exclusive. TI assumes no liability for applications assistance, customer product design, software performance, or infringement of patents or services described herein.

REGULATORY COMPLIANCE INFORMATION

As noted in the EVM User's Guide and/or EVM itself, this EVM and/or accompanying hardware may or may not be subject to the Federal Communications Commission (FCC) and Industry Canada (IC) rules.

For EVMs **not** subject to the above rules, this evaluation board/kit/module is intended for use for ENGINEERING DEVELOPMENT, DEMONSTRATION OR EVALUATION PURPOSES ONLY and is not considered by TI to be a finished end product fit for general consumer use. It generates, uses, and can radiate radio frequency energy and has not been tested for compliance with the limits of computing devices pursuant to part 15 of FCC or ICES-003 rules, which are designed to provide reasonable protection against radio frequency interference. Operation of the equipment may cause interference with radio communications, in which case the user at his own expense will be required to take whatever measures may be required to correct this interference.

General Statement for EVMs including a radio

User Power/Frequency Use Obligations: This radio is intended for development/professional use only in legally allocated frequency and power limits. Any use of radio frequencies and/or power availability of this EVM and its development application(s) must comply with local laws governing radio spectrum allocation and power limits for this evaluation module. It is the user's sole responsibility to only operate this radio in legally acceptable frequency space and within legally mandated power limitations. Any exceptions to this are strictly prohibited and unauthorized by Texas Instruments unless user has obtained appropriate experimental/development licenses from local regulatory authorities, which is responsibility of user including its acceptable authorization.

For EVMs annotated as FCC – FEDERAL COMMUNICATIONS COMMISSION Part 15 Compliant

Caution

This device complies with part 15 of the FCC Rules. Operation is subject to the following two conditions: (1) This device may not cause harmful interference, and (2) this device must accept any interference received, including interference that may cause undesired operation.

Changes or modifications not expressly approved by the party responsible for compliance could void the user's authority to operate the equipment.

FCC Interference Statement for Class A EVM devices

This equipment has been tested and found to comply with the limits for a Class A digital device, pursuant to part 15 of the FCC Rules. These limits are designed to provide reasonable protection against harmful interference when the equipment is operated in a commercial environment. This equipment generates, uses, and can radiate radio frequency energy and, if not installed and used in accordance with the instruction manual, may cause harmful interference to radio communications. Operation of this equipment in a residential area is likely to cause harmful interference in which case the user will be required to correct the interference at his own expense.

FCC Interference Statement for Class B EVM devices

This equipment has been tested and found to comply with the limits for a Class B digital device, pursuant to part 15 of the FCC Rules. These limits are designed to provide reasonable protection against harmful interference in a residential installation. This equipment generates, uses and can radiate radio frequency energy and, if not installed and used in accordance with the instructions, may cause harmful interference to radio communications. However, there is no guarantee that interference will not occur in a particular installation. If this equipment does cause harmful interference to radio or television reception, which can be determined by turning the equipment off and on, the user is encouraged to try to correct the interference by one or more of the following measures:

- Reorient or relocate the receiving antenna.
- Increase the separation between the equipment and receiver.
- Connect the equipment into an outlet on a circuit different from that to which the receiver is connected.
- Consult the dealer or an experienced radio/TV technician for help.

For EVMs annotated as IC – INDUSTRY CANADA Compliant

This Class A or B digital apparatus complies with Canadian ICES-003.

Changes or modifications not expressly approved by the party responsible for compliance could void the user's authority to operate the equipment.

Concerning EVMs including radio transmitters

This device complies with Industry Canada licence-exempt RSS standard(s). Operation is subject to the following two conditions: (1) this device may not cause interference, and (2) this device must accept any interference, including interference that may cause undesired operation of the device.

Concerning EVMs including detachable antennas

Under Industry Canada regulations, this radio transmitter may only operate using an antenna of a type and maximum (or lesser) gain approved for the transmitter by Industry Canada. To reduce potential radio interference to other users, the antenna type and its gain should be so chosen that the equivalent isotropically radiated power (e.i.r.p.) is not more than that necessary for successful communication.

This radio transmitter has been approved by Industry Canada to operate with the antenna types listed in the user guide with the maximum permissible gain and required antenna impedance for each antenna type indicated. Antenna types not included in this list, having a gain greater than the maximum gain indicated for that type, are strictly prohibited for use with this device.

Cet appareil numérique de la classe A ou B est conforme à la norme NMB-003 du Canada.

Les changements ou les modifications pas expressément approuvés par la partie responsable de la conformité ont pu vider l'autorité de l'utilisateur pour actionner l'équipement.

Concernant les EVMs avec appareils radio

Le présent appareil est conforme aux CNR d'Industrie Canada applicables aux appareils radio exempts de licence. L'exploitation est autorisée aux deux conditions suivantes : (1) l'appareil ne doit pas produire de brouillage, et (2) l'utilisateur de l'appareil doit accepter tout brouillage radioélectrique subi, même si le brouillage est susceptible d'en compromettre le fonctionnement.

Concernant les EVMs avec antennes détachables

Conformément à la réglementation d'Industrie Canada, le présent émetteur radio peut fonctionner avec une antenne d'un type et d'un gain maximal (ou inférieur) approuvé pour l'émetteur par Industrie Canada. Dans le but de réduire les risques de brouillage radioélectrique à l'intention des autres utilisateurs, il faut choisir le type d'antenne et son gain de sorte que la puissance isotrope rayonnée équivalente (p.i.r.e.) ne dépasse pas l'intensité nécessaire à l'établissement d'une communication satisfaisante.

Le présent émetteur radio a été approuvé par Industrie Canada pour fonctionner avec les types d'antenne énumérés dans le manuel d'usage et ayant un gain admissible maximal et l'impédance requise pour chaque type d'antenne. Les types d'antenne non inclus dans cette liste, ou dont le gain est supérieur au gain maximal indiqué, sont strictement interdits pour l'exploitation de l'émetteur.

【Important Notice for Users of EVMs for RF Products in Japan】

This development kit is NOT certified as Confirming to Technical Regulations of Radio Law of Japan

If you use this product in Japan, you are required by Radio Law of Japan to follow the instructions below with respect to this product:

1. Use this product in a shielded room or any other test facility as defined in the notification #173 issued by Ministry of Internal Affairs and Communications on March 28, 2006, based on Sub-section 1.1 of Article 6 of the Ministry's Rule for Enforcement of Radio Law of Japan,
2. Use this product only after you obtained the license of Test Radio Station as provided in Radio Law of Japan with respect to this product, or
3. Use of this product only after you obtained the Technical Regulations Conformity Certification as provided in Radio Law of Japan with respect to this product. Also, please do not transfer this product, unless you give the same notice above to the transferee. Please note that if you could not follow the instructions above, you will be subject to penalties of Radio Law of Japan.

Texas Instruments Japan Limited
(address) 24-1, Nishi-Shinjuku 6 chome, Shinjuku-ku, Tokyo, Japan

<http://www.tij.co.jp>

【無線電波を送信する製品の開発キットをお使いになる際の注意事項】

本開発キットは技術基準適合証明を受けておりません。

本製品のご使用に際しては、電波法遵守のため、以下のいずれかの措置を取っていただく必要がありますのでご注意ください。

1. 電波法施行規則第6条第1項第1号に基づく平成18年3月28日総務省告示第173号で定められた電波暗室等の試験設備でご使用いただく。
2. 実験局の免許を取得後ご使用いただく。
3. 技術基準適合証明を取得後ご使用いただく。

なお、本製品は、上記の「ご使用にあたっての注意」を譲渡先、移転先に通知しない限り、譲渡、移転できないものとします。

上記を遵守頂けない場合は、電波法の罰則が適用される可能性があることをご留意ください。

日本テキサス・インスツルメンツ株式会社
東京都新宿区西新宿6丁目24番1号
西新宿三井ビル

<http://www.tij.co.jp>

EVALUATION BOARD/KIT/MODULE (EVM) WARNINGS, RESTRICTIONS AND DISCLAIMERS

For Feasibility Evaluation Only, in Laboratory/Development Environments. Unless otherwise indicated, this EVM is not a finished electrical equipment and not intended for consumer use. It is intended solely for use for preliminary feasibility evaluation in laboratory/development environments by technically qualified electronics experts who are familiar with the dangers and application risks associated with handling electrical mechanical components, systems and subsystems. It should not be used as all or part of a finished end product.

Your Sole Responsibility and Risk. You acknowledge, represent and agree that:

1. You have unique knowledge concerning Federal, State and local regulatory requirements (including but not limited to Food and Drug Administration regulations, if applicable) which relate to your products and which relate to your use (and/or that of your employees, affiliates, contractors or designees) of the EVM for evaluation, testing and other purposes.
2. You have full and exclusive responsibility to assure the safety and compliance of your products with all such laws and other applicable regulatory requirements, and also to assure the safety of any activities to be conducted by you and/or your employees, affiliates, contractors or designees, using the EVM. Further, you are responsible to assure that any interfaces (electronic and/or mechanical) between the EVM and any human body are designed with suitable isolation and means to safely limit accessible leakage currents to minimize the risk of electrical shock hazard.
3. Since the EVM is not a completed product, it may not meet all applicable regulatory and safety compliance standards (such as UL, CSA, VDE, CE, RoHS and WEEE) which may normally be associated with similar items. You assume full responsibility to determine and/or assure compliance with any such standards and related certifications as may be applicable. You will employ reasonable safeguards to ensure that your use of the EVM will not result in any property damage, injury or death, even if the EVM should fail to perform as described or expected.
4. You will take care of proper disposal and recycling of the EVM's electronic components and packing materials.

Certain Instructions. It is important to operate this EVM within TI's recommended specifications and environmental considerations per the user guidelines. Exceeding the specified EVM ratings (including but not limited to input and output voltage, current, power, and environmental ranges) may cause property damage, personal injury or death. If there are questions concerning these ratings please contact a TI field representative prior to connecting interface electronics including input power and intended loads. Any loads applied outside of the specified output range may result in unintended and/or inaccurate operation and/or possible permanent damage to the EVM and/or interface electronics. Please consult the EVM User's Guide prior to connecting any load to the EVM output. If there is uncertainty as to the load specification, please contact a TI field representative. During normal operation, some circuit components may have case temperatures greater than 60°C as long as the input and output are maintained at a normal ambient operating temperature. These components include but are not limited to linear regulators, switching transistors, pass transistors, and current sense resistors which can be identified using the EVM schematic located in the EVM User's Guide. When placing measurement probes near these devices during normal operation, please be aware that these devices may be very warm to the touch. As with all electronic evaluation tools, only qualified personnel knowledgeable in electronic measurement and diagnostics normally found in development environments should use these EVMs.

Agreement to Defend, Indemnify and Hold Harmless. You agree to defend, indemnify and hold TI, its licensors and their representatives harmless from and against any and all claims, damages, losses, expenses, costs and liabilities (collectively, "Claims") arising out of or in connection with any use of the EVM that is not in accordance with the terms of the agreement. This obligation shall apply whether Claims arise under law of tort or contract or any other legal theory, and even if the EVM fails to perform as described or expected.

Safety-Critical or Life-Critical Applications. If you intend to evaluate the components for possible use in safety critical applications (such as life support) where a failure of the TI product would reasonably be expected to cause severe personal injury or death, such as devices which are classified as FDA Class III or similar classification, then you must specifically notify TI of such intent and enter into a separate Assurance and Indemnity Agreement.

Mailing Address: Texas Instruments, Post Office Box 655303, Dallas, Texas 75265
Copyright © 2013, Texas Instruments Incorporated

IMPORTANT NOTICE

Texas Instruments Incorporated and its subsidiaries (TI) reserve the right to make corrections, enhancements, improvements and other changes to its semiconductor products and services per JESD46, latest issue, and to discontinue any product or service per JESD48, latest issue. Buyers should obtain the latest relevant information before placing orders and should verify that such information is current and complete. All semiconductor products (also referred to herein as "components") are sold subject to TI's terms and conditions of sale supplied at the time of order acknowledgment.

TI warrants performance of its components to the specifications applicable at the time of sale, in accordance with the warranty in TI's terms and conditions of sale of semiconductor products. Testing and other quality control techniques are used to the extent TI deems necessary to support this warranty. Except where mandated by applicable law, testing of all parameters of each component is not necessarily performed.

TI assumes no liability for applications assistance or the design of Buyers' products. Buyers are responsible for their products and applications using TI components. To minimize the risks associated with Buyers' products and applications, Buyers should provide adequate design and operating safeguards.

TI does not warrant or represent that any license, either express or implied, is granted under any patent right, copyright, mask work right, or other intellectual property right relating to any combination, machine, or process in which TI components or services are used. Information published by TI regarding third-party products or services does not constitute a license to use such products or services or a warranty or endorsement thereof. Use of such information may require a license from a third party under the patents or other intellectual property of the third party, or a license from TI under the patents or other intellectual property of TI.

Reproduction of significant portions of TI information in TI data books or data sheets is permissible only if reproduction is without alteration and is accompanied by all associated warranties, conditions, limitations, and notices. TI is not responsible or liable for such altered documentation. Information of third parties may be subject to additional restrictions.

Resale of TI components or services with statements different from or beyond the parameters stated by TI for that component or service voids all express and any implied warranties for the associated TI component or service and is an unfair and deceptive business practice. TI is not responsible or liable for any such statements.

Buyer acknowledges and agrees that it is solely responsible for compliance with all legal, regulatory and safety-related requirements concerning its products, and any use of TI components in its applications, notwithstanding any applications-related information or support that may be provided by TI. Buyer represents and agrees that it has all the necessary expertise to create and implement safeguards which anticipate dangerous consequences of failures, monitor failures and their consequences, lessen the likelihood of failures that might cause harm and take appropriate remedial actions. Buyer will fully indemnify TI and its representatives against any damages arising out of the use of any TI components in safety-critical applications.

In some cases, TI components may be promoted specifically to facilitate safety-related applications. With such components, TI's goal is to help enable customers to design and create their own end-product solutions that meet applicable functional safety standards and requirements. Nonetheless, such components are subject to these terms.

No TI components are authorized for use in FDA Class III (or similar life-critical medical equipment) unless authorized officers of the parties have executed a special agreement specifically governing such use.

Only those TI components which TI has specifically designated as military grade or "enhanced plastic" are designed and intended for use in military/aerospace applications or environments. Buyer acknowledges and agrees that any military or aerospace use of TI components which have **not** been so designated is solely at the Buyer's risk, and that Buyer is solely responsible for compliance with all legal and regulatory requirements in connection with such use.

TI has specifically designated certain components as meeting ISO/TS16949 requirements, mainly for automotive use. In any case of use of non-designated products, TI will not be responsible for any failure to meet ISO/TS16949.

Products

Audio	www.ti.com/audio
Amplifiers	amplifier.ti.com
Data Converters	dataconverter.ti.com
DLP® Products	www.dlp.com
DSP	dsp.ti.com
Clocks and Timers	www.ti.com/clocks
Interface	interface.ti.com
Logic	logic.ti.com
Power Mgmt	power.ti.com
Microcontrollers	microcontroller.ti.com
RFID	www.ti-rfid.com
OMAP Applications Processors	www.ti.com/omap
Wireless Connectivity	www.ti.com/wirelessconnectivity

Applications

Automotive and Transportation	www.ti.com/automotive
Communications and Telecom	www.ti.com/communications
Computers and Peripherals	www.ti.com/computers
Consumer Electronics	www.ti.com/consumer-apps
Energy and Lighting	www.ti.com/energy
Industrial	www.ti.com/industrial
Medical	www.ti.com/medical
Security	www.ti.com/security
Space, Avionics and Defense	www.ti.com/space-avionics-defense
Video and Imaging	www.ti.com/video

TI E2E Community

e2e.ti.com