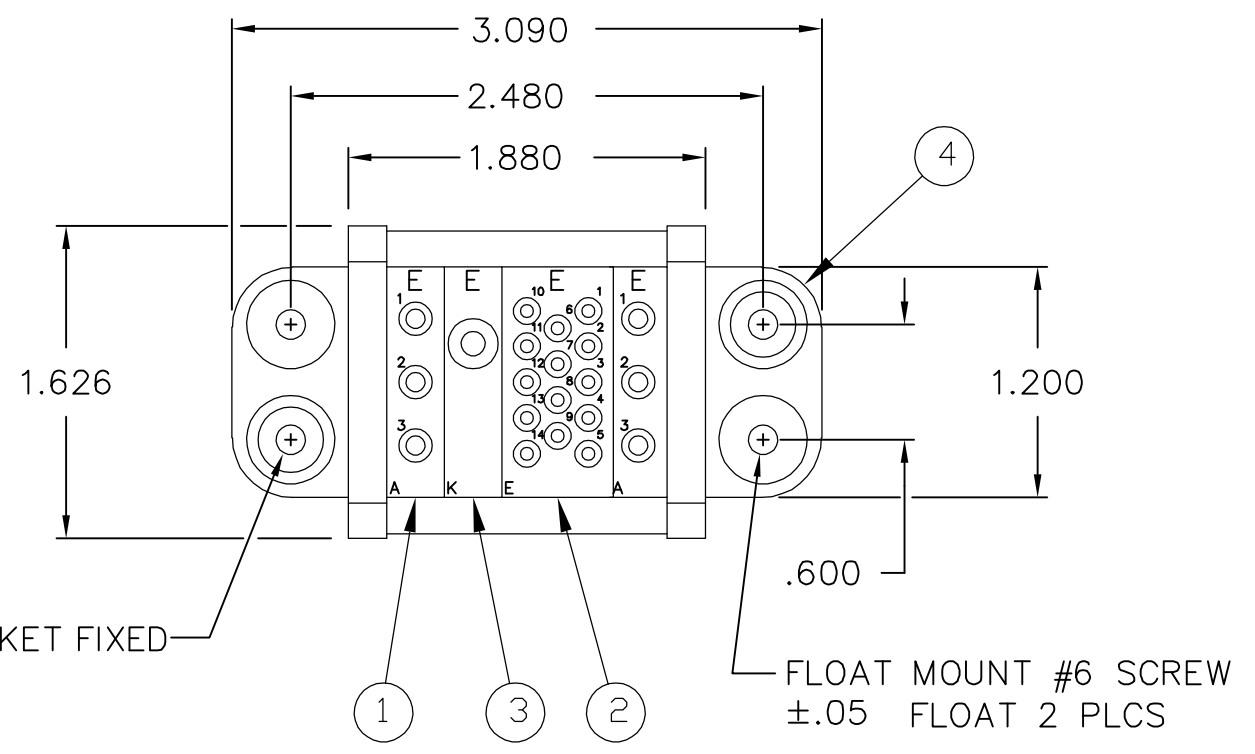


THIS DRAWING IS UNPUBLISHED. RELEASED FOR PUBLICATION
 © COPYRIGHT BY TYCO ELECTRONICS CORPORATION. ALL RIGHTS RESERVED.

LOC	DIST	REVISIONS					
GP	00	P	LTR	DESCRIPTION	DATE	DWN	APVD
			A	RELEASED	31MAY06	RG	SF

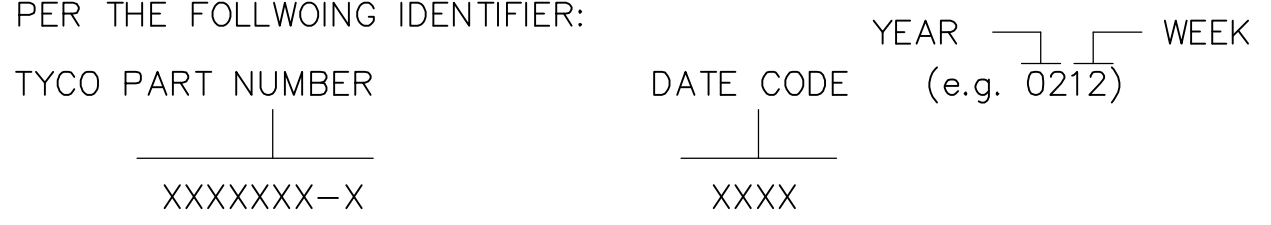


GUIDE PIN SOCKET FIXED
2 PLCS

FLOAT MOUNT #6 SCREW
±.05 FLOAT 2 PLCS

1. PART NUMBER CHANGES AND/OR DESIGN CHANGES AFFECTING ITEM INTERCHANGABILITY REQUIRE PRIOR TYCO APPROVAL AND AUTHORIZATION BY REVISION TO THIS DRAWING.

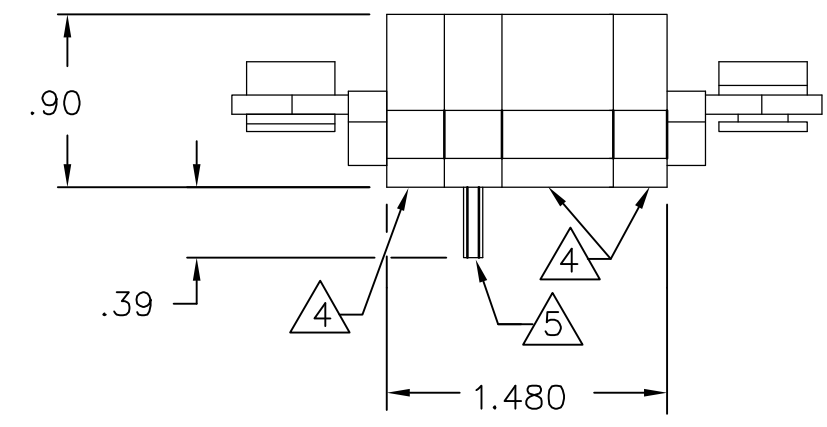
2. ITEMS PROVIDED TO THIS SPECIFICATION TO BE PERMANENTLY IDENTIFIED PER THE FOLLWOING IDENTIFIER:



△ MODULES NOTED ARE CRIMP REMOVABLE STYLE. CONTACTS ARE NOT SUPPLIED WITH CONNECTOR. CONTACT PART NO'S ARE AS FOLLOWS:

- 6648318-1 (SOCKET #12)
- 6648319-1 (SOCKET #16)

△ TYCO CRIMP TOOL P/N 1766453-1 IS REQUIRED AND IS NOT SUPPLIED WITH ASSEMBLY.

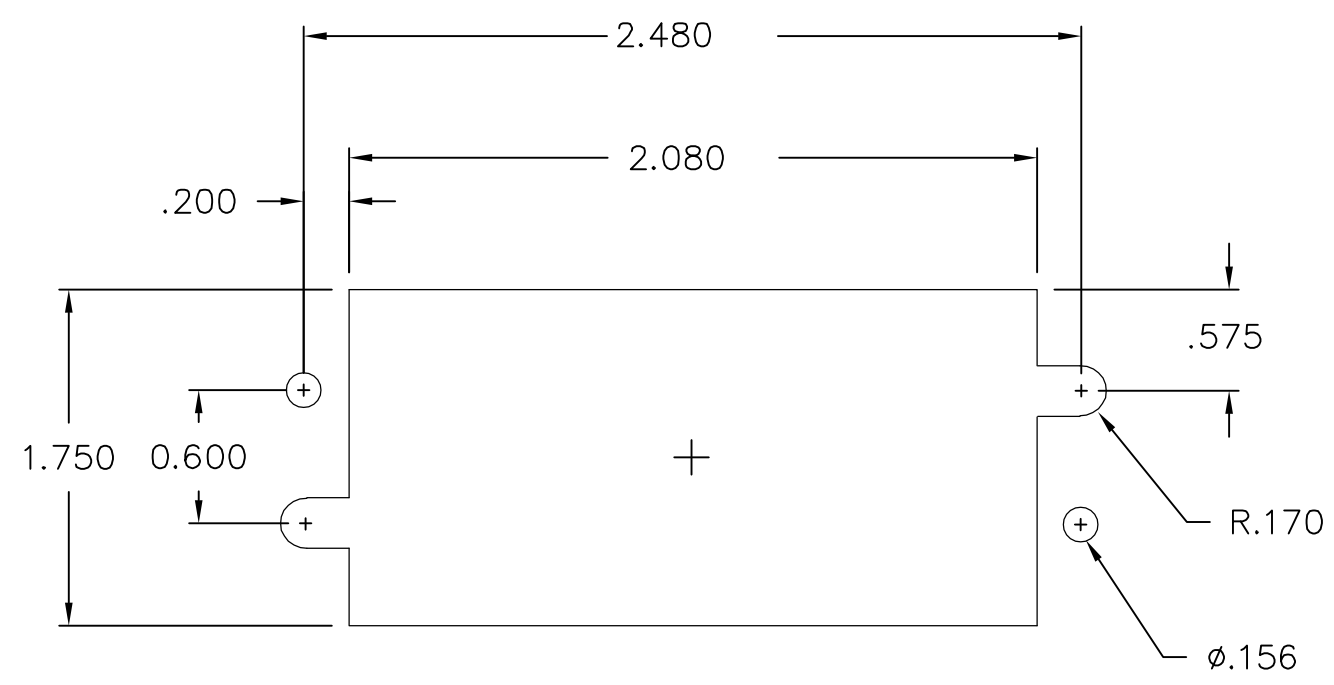


2	6648252-1	GUIDE SOCKET FLOAT MOUNT	4
1	6648476-1	MODULE K	3
1	1648470-1	MODULE E	2
2	1648466-1	MODULE A	1
-1	PART NUMBER	DESCRIPTION	ITEM NO.

THIS DRAWING IS A CONTROLLED DOCUMENT.		DWN R.GRZYBOWSKI 31MAY2006	Tyco Electronics Corporation Harrisburg, PA 17105-3608	
DIMENSIONS: INCHES		CHK S.FLICKINGER 31MAY06	SOCKET CONNECTOR DOMINO W/ PANEL CUT-OUT	
TOLERANCES UNLESS OTHERWISE SPECIFIED:		APVD S.FLICKINGER 31MAY06	NAME	
0 PLC ± -		PRODUCT SPEC	SIZE CAGE CODE DRAWING NO RESTRICTED TO	
1 PLC ± -		APPLICATION SPEC	A3 00779 C-6643949	
2 PLC ± .032		WEIGHT -	SCALE 1:1 SHEET 1 OF 2 REV A	
3 PLC ± .016		CUSTOMER DRAWING		
4 PLC ± -				
ANGLES ± .5				
MATERIAL -				
FINISH -				

THIS DRAWING IS UNPUBLISHED. RELEASED FOR PUBLICATION
 © COPYRIGHT - BY TYCO ELECTRONICS CORPORATION. ALL RIGHTS RESERVED.

LOC	DIST	REVISIONS					
GP	00	P	LTR	DESCRIPTION	DATE	DWN	APVD
		-		SEE SHEET 1	-	-	-



SUGGESTED PANEL CUT-OUT

THIS DRAWING IS A CONTROLLED DOCUMENT.		DWN R.GRZYBOWSKI 31MAY2006	Tyco Electronics Corporation Harrisburg, PA 17105-3608	
DIMENSIONS: INCHES		CHK S.FLICKINGER 31MAY06	NAME	
		APVD S.FLICKINGER 31MAY06	SOCKET CONNECTOR DOMINO W/ PANEL CUT-OUT	
TOLERANCES UNLESS OTHERWISE SPECIFIED:		PRODUCT SPEC	RESTRICTED TO	
0 PLC ± -		APPLICATION SPEC	SIZE	CAGE CODE
1 PLC ± -		WEIGHT	A3	00779
2 PLC ± .032		CUSTOMER DRAWING	DRAWING NO	
3 PLC ± .016		SCALE	G-6643949	
4 PLC ± -		SCALE	1:1	SHEET
ANGLES ± .5		SCALE	1:1	2 OF 2
MATERIAL	FINISH	SCALE		REV
-	-	1:1		A