

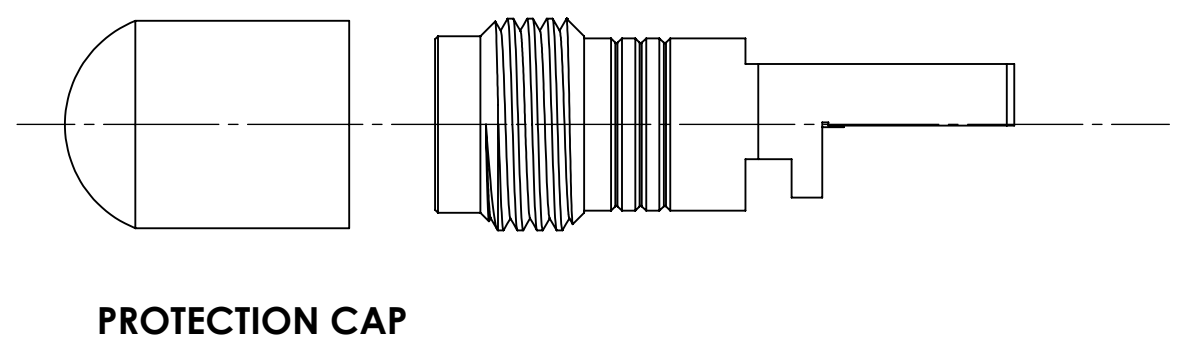
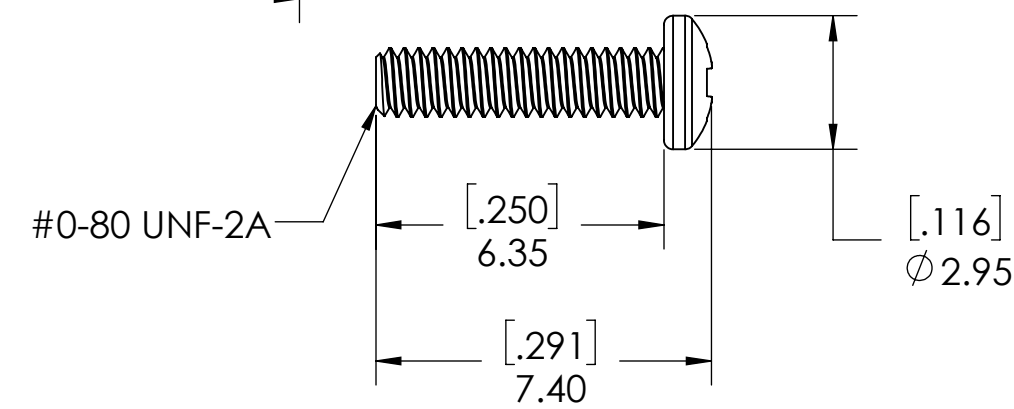
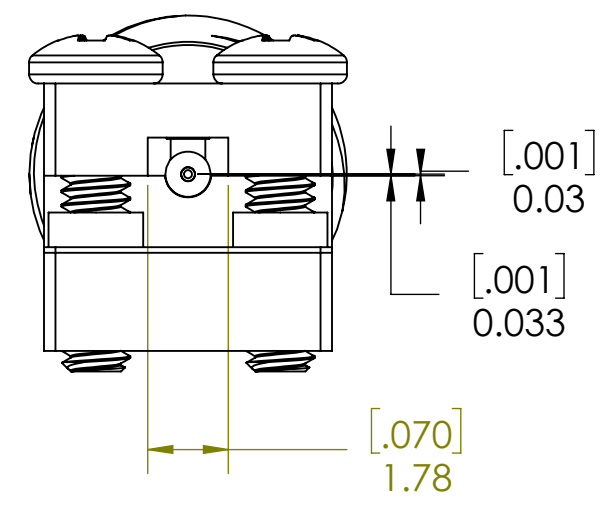
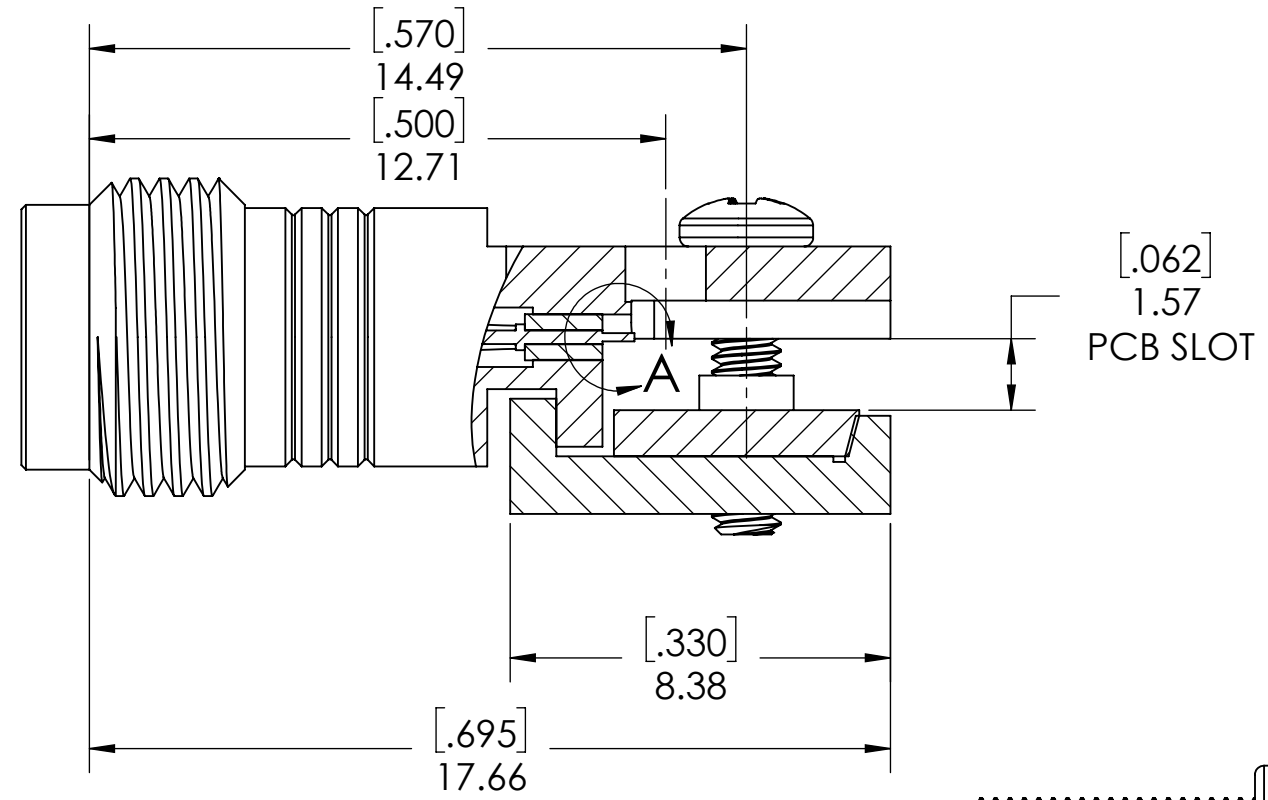
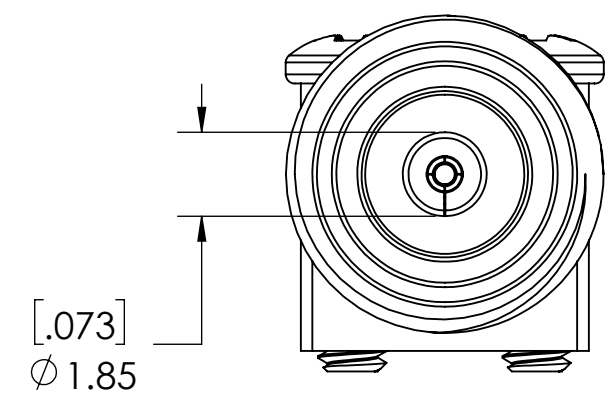
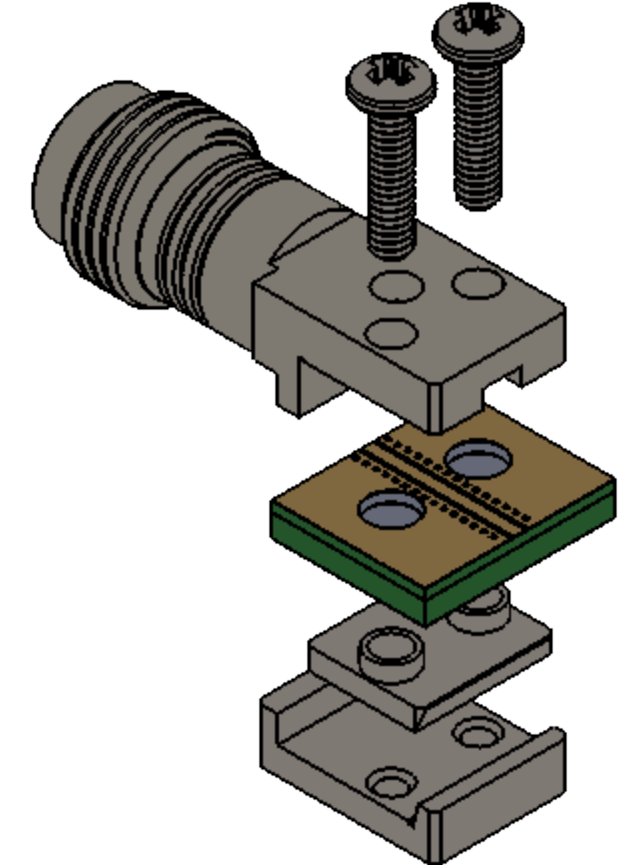
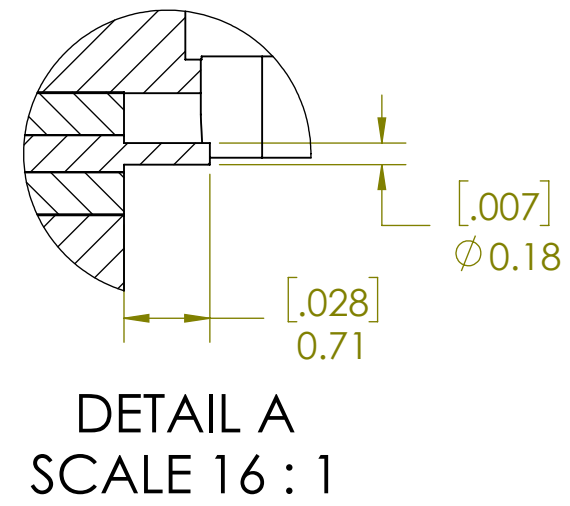
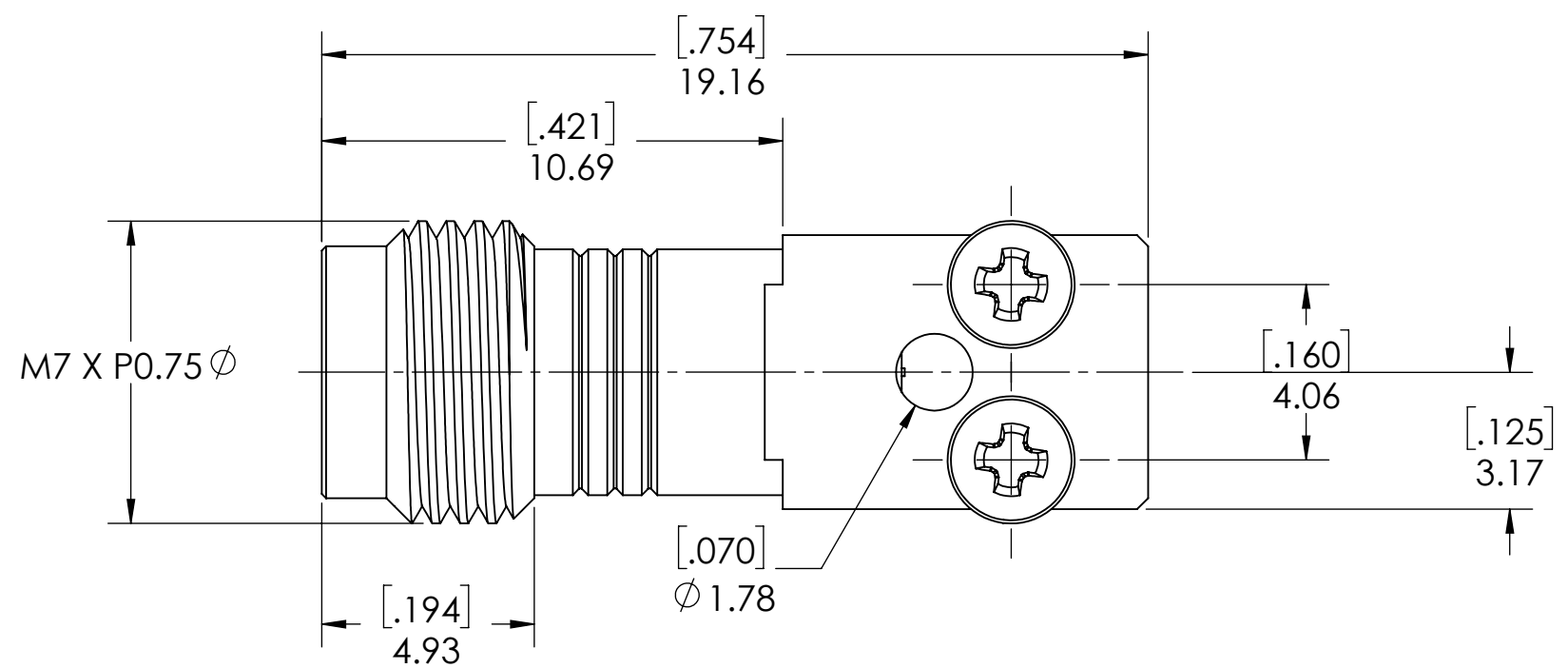
4

3

2

1

REVISIONS			
REV.	DESCRIPTION	DATE	DWN
-	INITIAL RELEASE	8/28/2020	FY



NOTE(S):  
 1. These characteristics are typical and for reference.  
 2. DYH: 59-20027-44070A  
 3. See sheet 2 for PCB interface definition.

MATERIAL(S) :	ELECTRICAL(S) :	MECHANICAL(S) :	ENVIRONMENTAL(S) :
Body/Screws: Stainless Steel Locking Block: Brass Center Conductor: Beryllium Copper Insulator: PCTFE, white RoHS Compliant Protective Cap: Soft PVC Color: Green	Impedence: 50 Ohms Nominal Frequency Range: DC to 67 GHz VSWR: 1.30 max at 67 GHz Working Voltage: 500 V RMS max @ Sea Level Dielectric Withstand Voltage: 500 V RMS max. Insulation Resistance: 5000 megaohms min. Contact Resistance: Initial: Center Contact: 3 Milliohms max Outer Contact: 2.5 Milliohms max	Mating Characteristics: Interface per MIL-STD-348 Force to Engage & Disengage: Torque: 2 inch-pounds max Longitudinal Force: NA Connector Durability: 500 Cycles min. Permeability: Less than 2.0 mu. Center Contact Retention: Axial Force: 6 pounds min. Radial Force: NA	Temperature Range: -55 °C to +85 °C Moisture Resistance: MIL-STD-202, Method 103, Test Condition B Corrosion: MIL-STD-202, Method 101, Test Condition B Vibration: MIL-STD-202, Method 204, Test Condition A Shock: MIL-STD-202, Method 213, Test Condition 1

FINISH(ES) :	APPLICABLE CARLISLE IT DOCUMENTS	TOLERANCES AND NOTES	APPROVAL	INITIALS	DATE	 Dongguan City, Guangdong P.R. China 523533 <b>TITLE</b> Edge Launch, Narrow Body, Solderless, 1.85mm, Connector <b>SCALE</b> 8:1 <b>SIZE</b> SUB-DIRECTORY/ _OUTLINE/ <b>DRAWING NO.</b> TMB-E8F2-1L1-01																			
Body/Screw: Passivated  Locking Block: Nickel plating  Center Conductor: Becu ,Gold Plating	<table border="1"> <thead> <tr> <th>WORK STANDARD</th> <th>PROD INSTRUC</th> <th>ASSY INSTRUC</th> </tr> </thead> <tbody> <tr> <td>NA</td> <td>NA</td> <td>NA</td> </tr> </tbody> </table>	WORK STANDARD	PROD INSTRUC	ASSY INSTRUC	NA		NA	NA	EXCEPT AS NOTED THIRD ANGLE PROJECTION SCALE 8:1 DIMENSIONS ARE IN [INCHES] MM ANGLES ±2° .XX DECIMALS ±.063 .XXX DECIMALS ±.01	<table border="1"> <tr> <td><b>DRAWN BY</b></td> <td>FY</td> <td>8/28/2020</td> </tr> <tr> <td><b>CHECKED BY</b></td> <td></td> <td></td> </tr> <tr> <td><b>DESIGN ENG</b></td> <td>PV</td> <td>9/26/2019</td> </tr> <tr> <td><b>APPR BY</b></td> <td></td> <td></td> </tr> </table>	<b>DRAWN BY</b>	FY	8/28/2020	<b>CHECKED BY</b>			<b>DESIGN ENG</b>	PV	9/26/2019	<b>APPR BY</b>					SHEET 1 OF 2 REV. -
WORK STANDARD	PROD INSTRUC	ASSY INSTRUC																							
NA	NA	NA																							
<b>DRAWN BY</b>	FY	8/28/2020																							
<b>CHECKED BY</b>																									
<b>DESIGN ENG</b>	PV	9/26/2019																							
<b>APPR BY</b>																									

4

3

2

1

4 3 2 1

D

C

B

A

ENG-SW REV. E

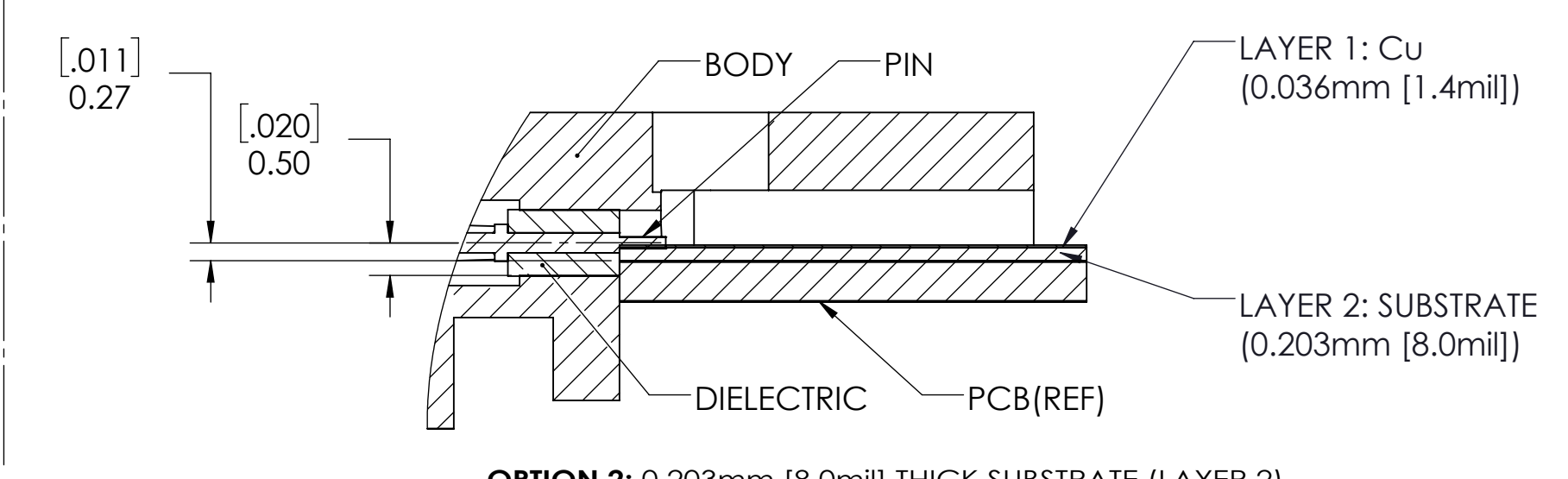
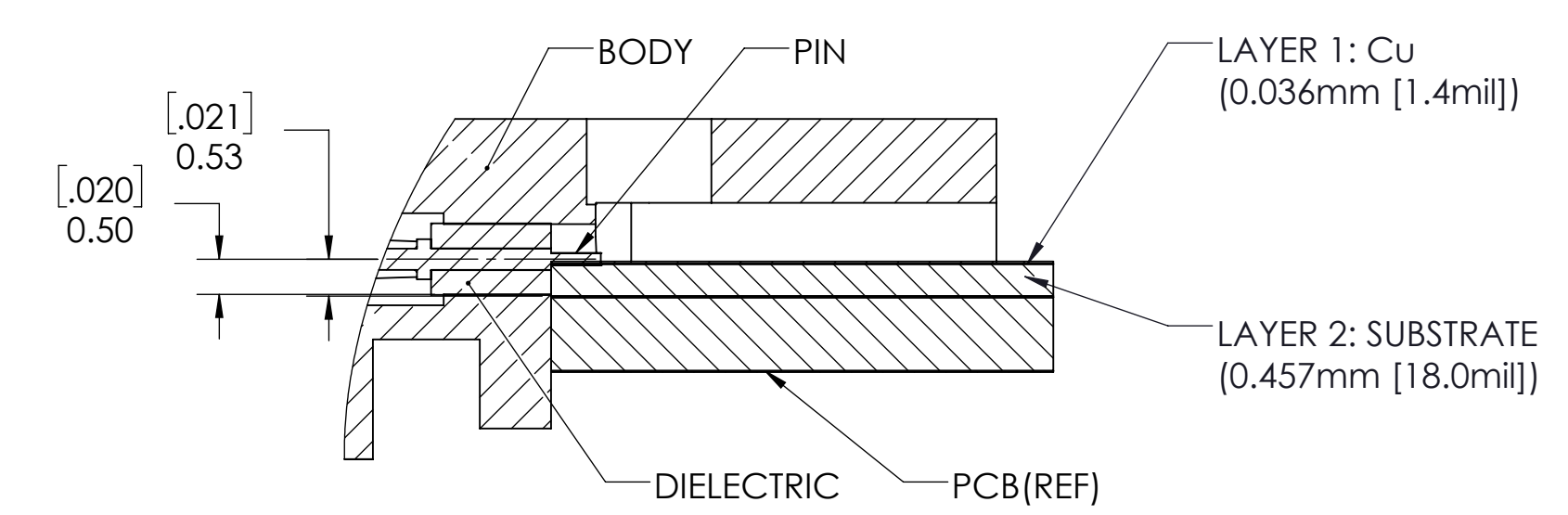
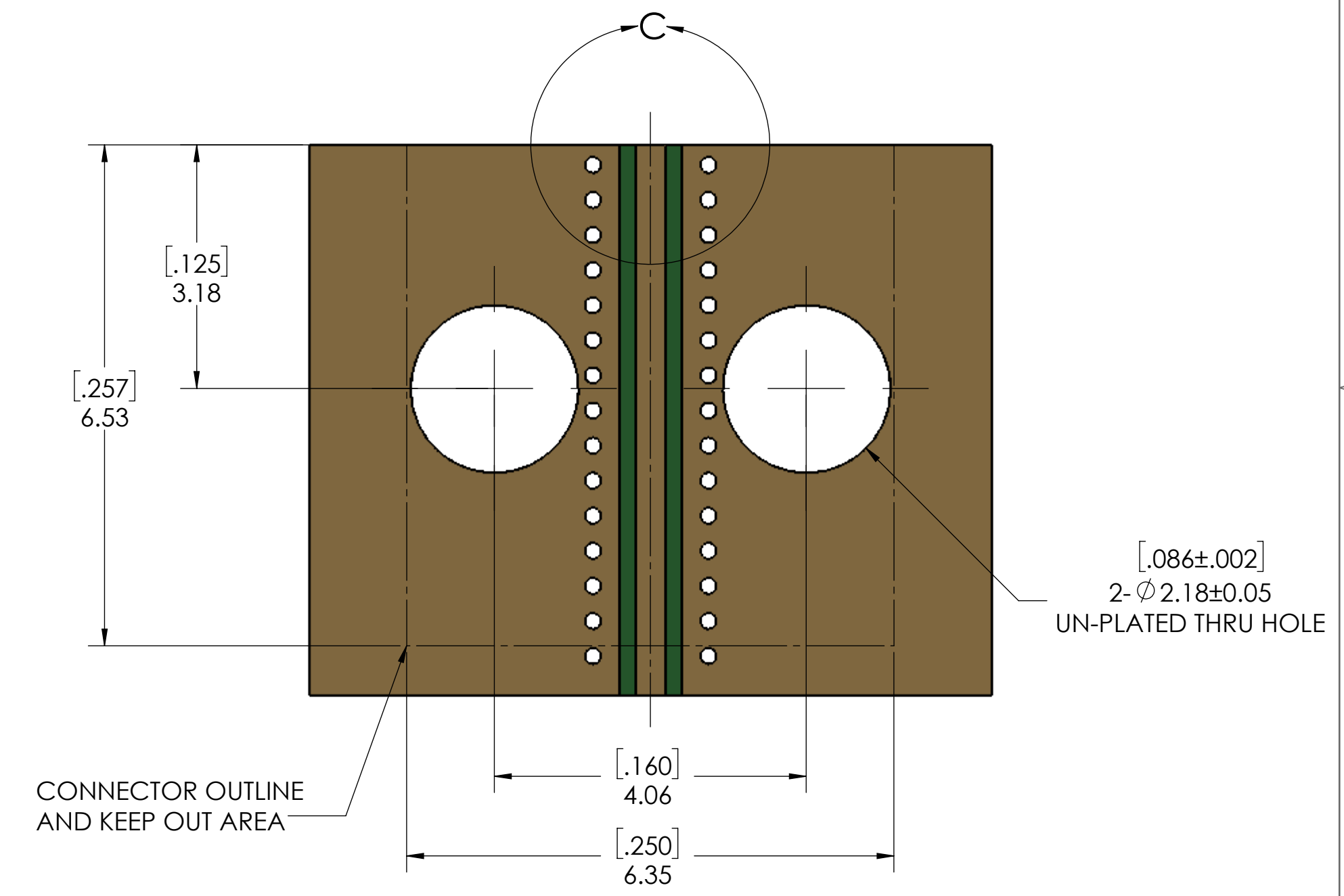
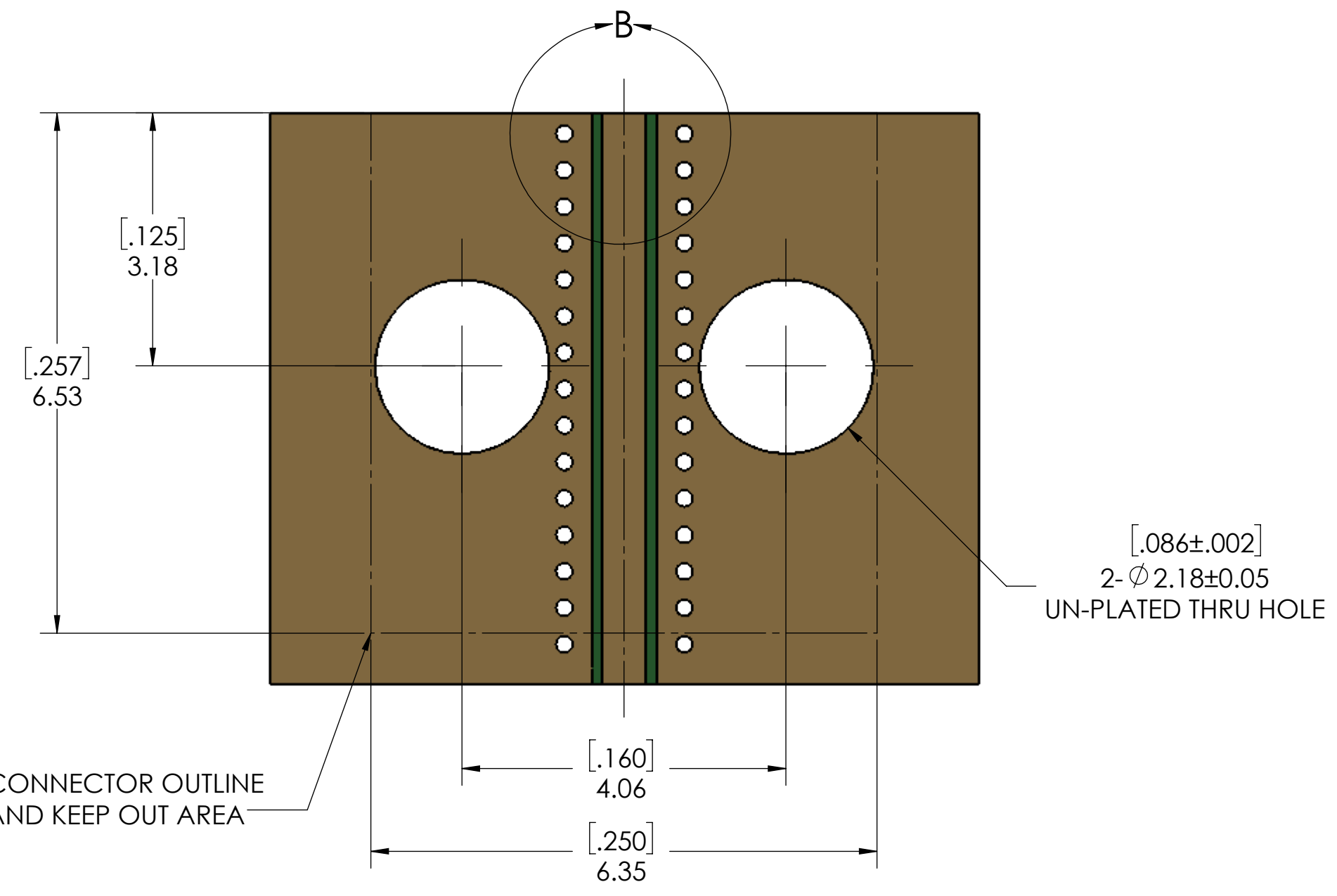
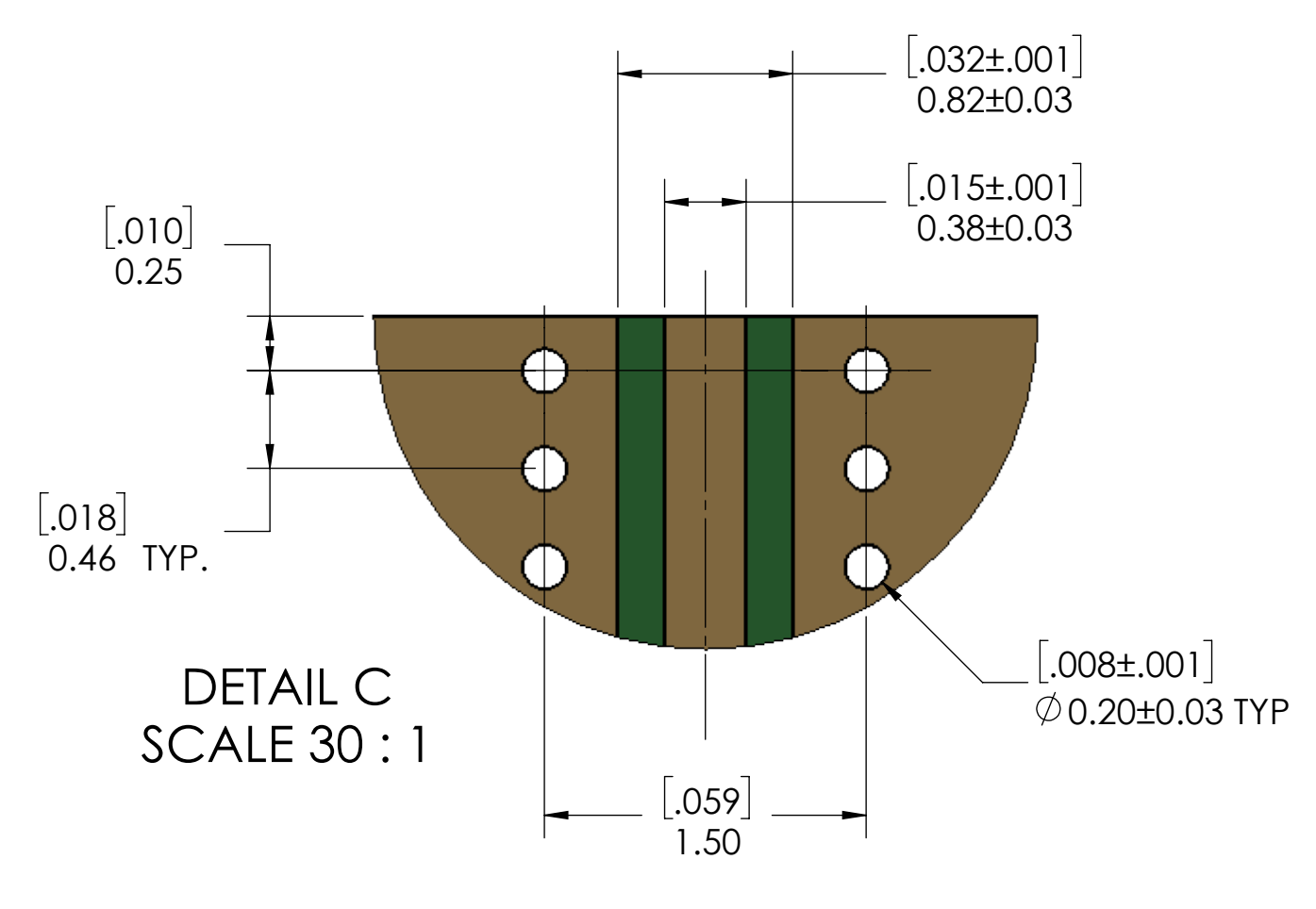
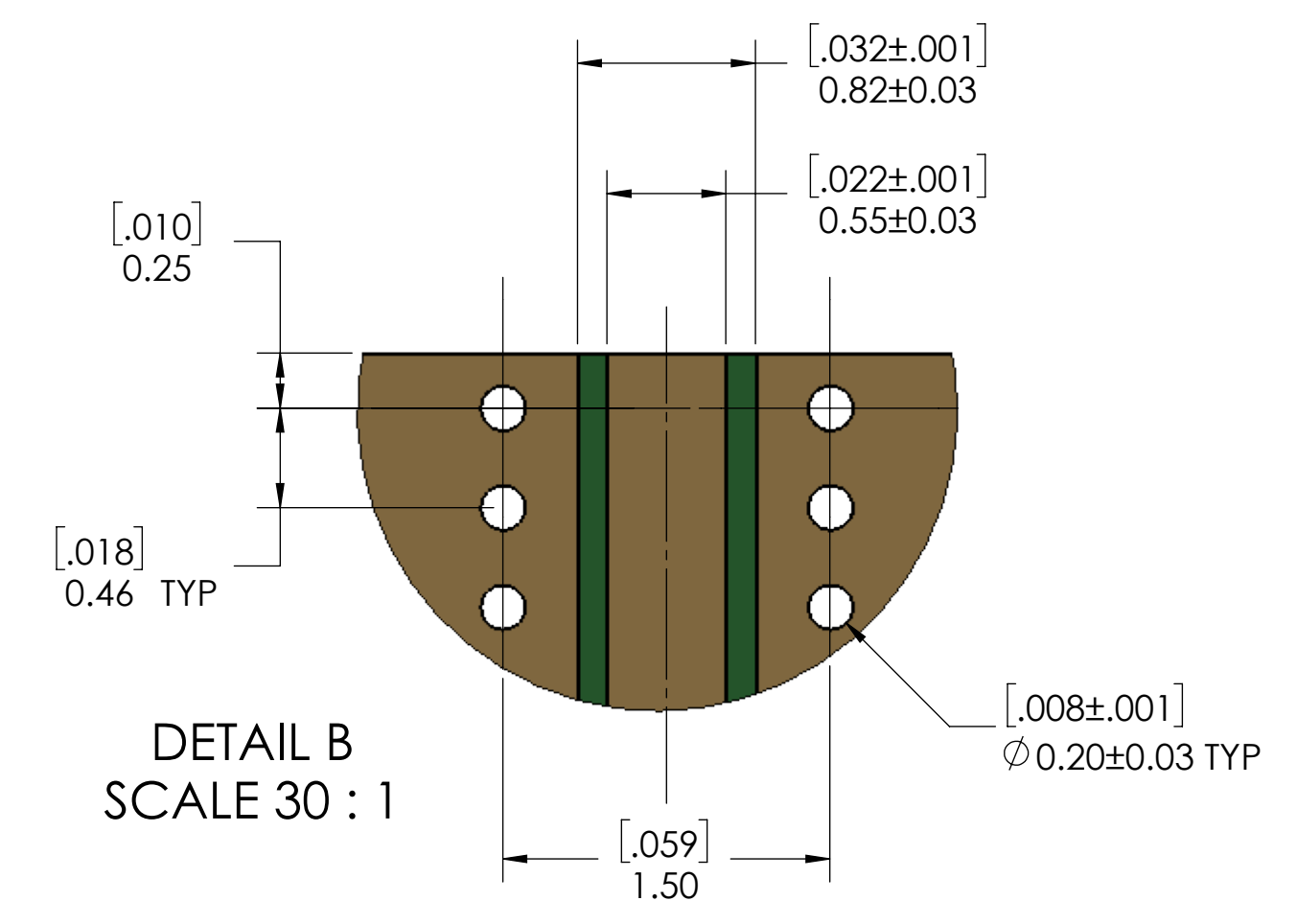
4

3

2

1

D C B A



**PCB LAYOUT**  
(FOR REFERENCE ONLY)

SCALE	SUB-DIRECTORY/		SHEET 2 OF 2
10:1			
SIZE	CAGE CODE	DRAWING NO.	REV.
C		<b>TMB-E8F2-1L1-01</b>	-