

4

3

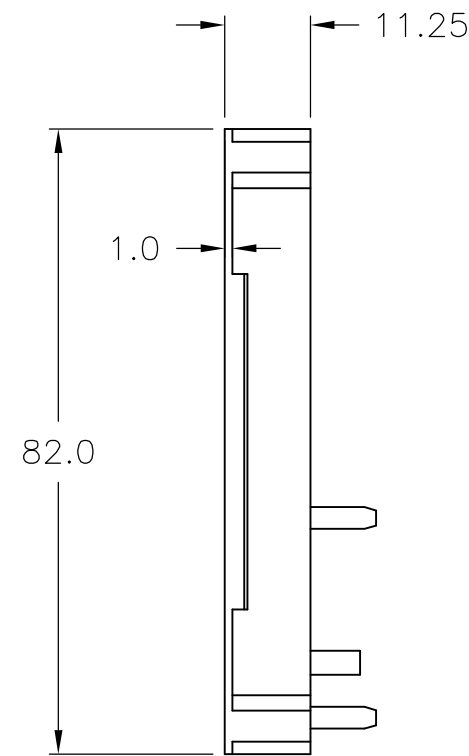
2

1

THIS DRAWING IS UNPUBLISHED. RELEASED FOR PUBLICATION  
 © COPYRIGHT - BY TYCO ELECTRONICS CORPORATION. ALL RIGHTS RESERVED.

LOC	DIST	REVISIONS					
		P	LTR	DESCRIPTION	DATE	DWN	APVD
-	-		A	REVISED PER ECO-08-005254	2/29/08	SS	CR

① MATERIAL: POLYAMIDE, GREEN, UL94V-0 RATED.



1986138-1  
 PART NUMBER

THIS DRAWING IS A CONTROLLED DOCUMENT.		DWN S SCHLEGEL 29FEB2008	Tyco Electronics Corporation Harrisburg, PA 17105-3608													
DIMENSIONS: mm		CHK C RICHARD 2/29/08	NAME MODULAR SUPPORT LATERAL ELEMENT													
TOLERANCES UNLESS OTHERWISE SPECIFIED:		APVD C RICHARD 2/29/08	PRODUCT SPEC -													
<table border="0"> <tr><td>0 PLC</td><td>± -</td></tr> <tr><td>1 PLC</td><td>± 0.3</td></tr> <tr><td>2 PLC</td><td>± 0.25</td></tr> <tr><td>3 PLC</td><td>± -</td></tr> <tr><td>4 PLC</td><td>± -</td></tr> <tr><td>ANGLES</td><td>± -</td></tr> </table>		0 PLC	± -	1 PLC	± 0.3	2 PLC	± 0.25	3 PLC	± -	4 PLC	± -	ANGLES	± -	APPLICATION SPEC -		RESTRICTED TO -
0 PLC	± -															
1 PLC	± 0.3															
2 PLC	± 0.25															
3 PLC	± -															
4 PLC	± -															
ANGLES	± -															
MATERIAL -	FINISH -	WEIGHT -	SIZE A3	CAGE CODE 00779												
		DRAWING NO G-1986138		RESTRICTED TO -												
		CUSTOMER DRAWING		SCALE NTS												
		SHEET 1 OF 1		REV A												