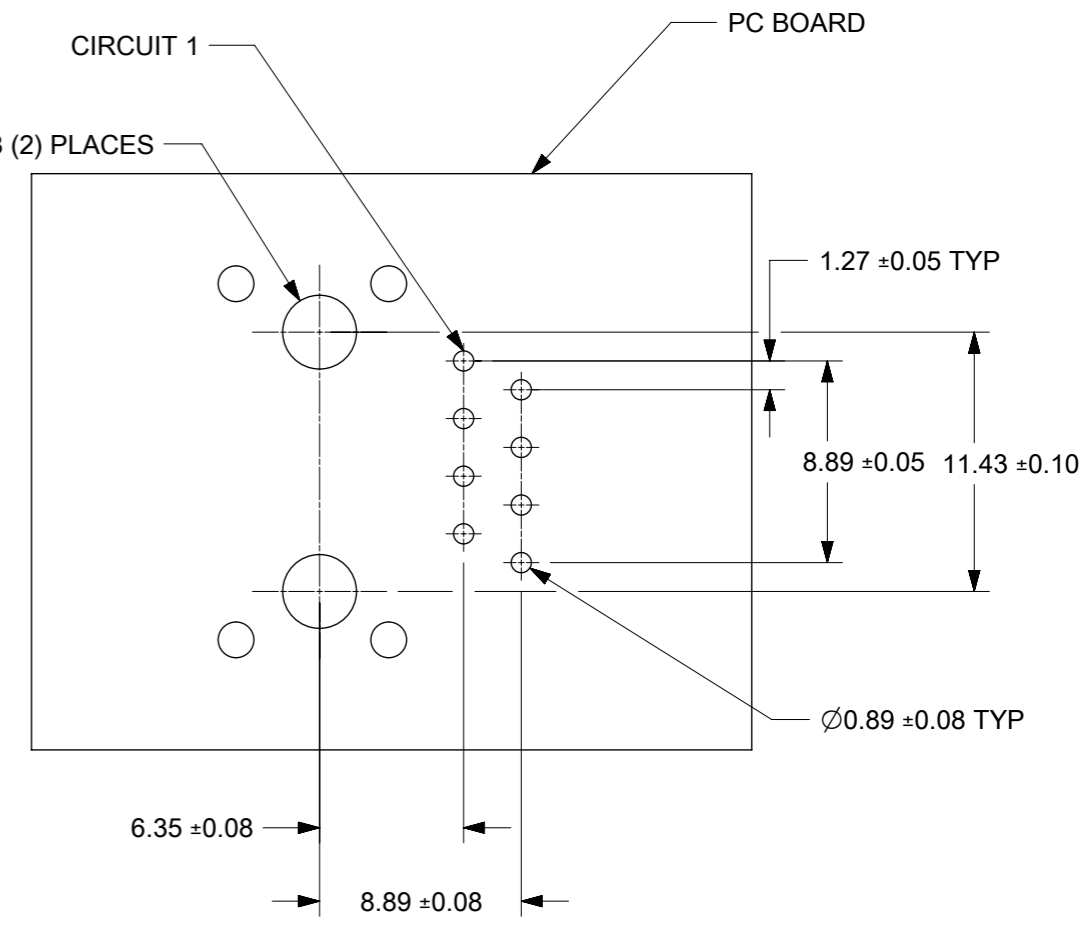


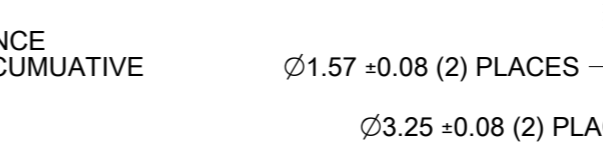
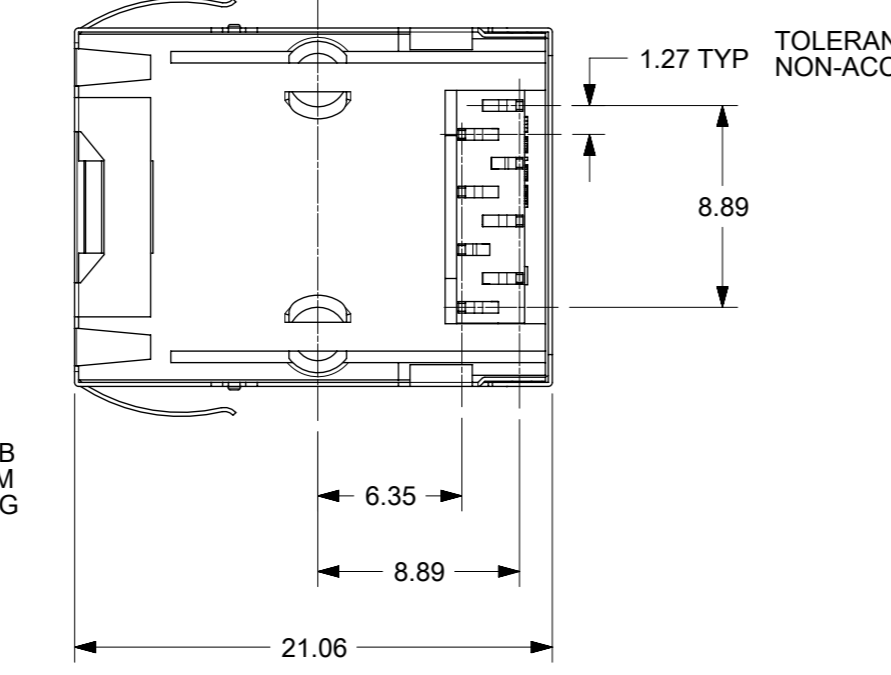
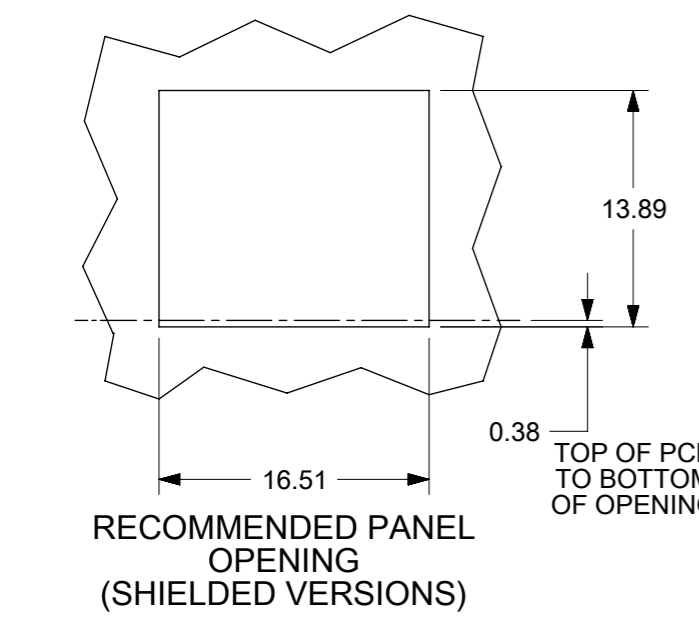
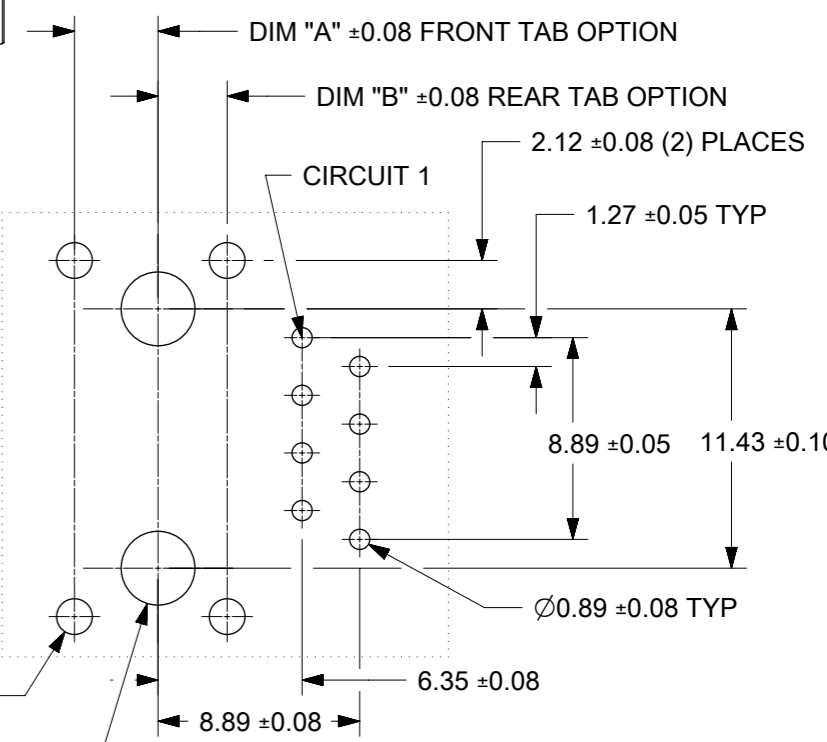
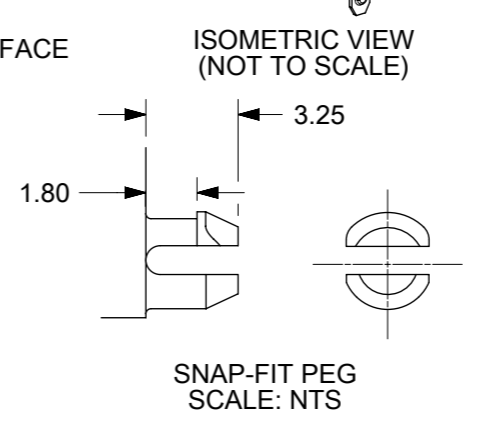
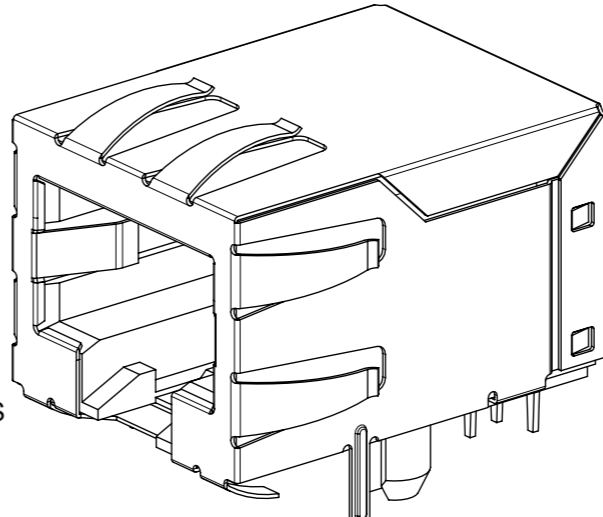
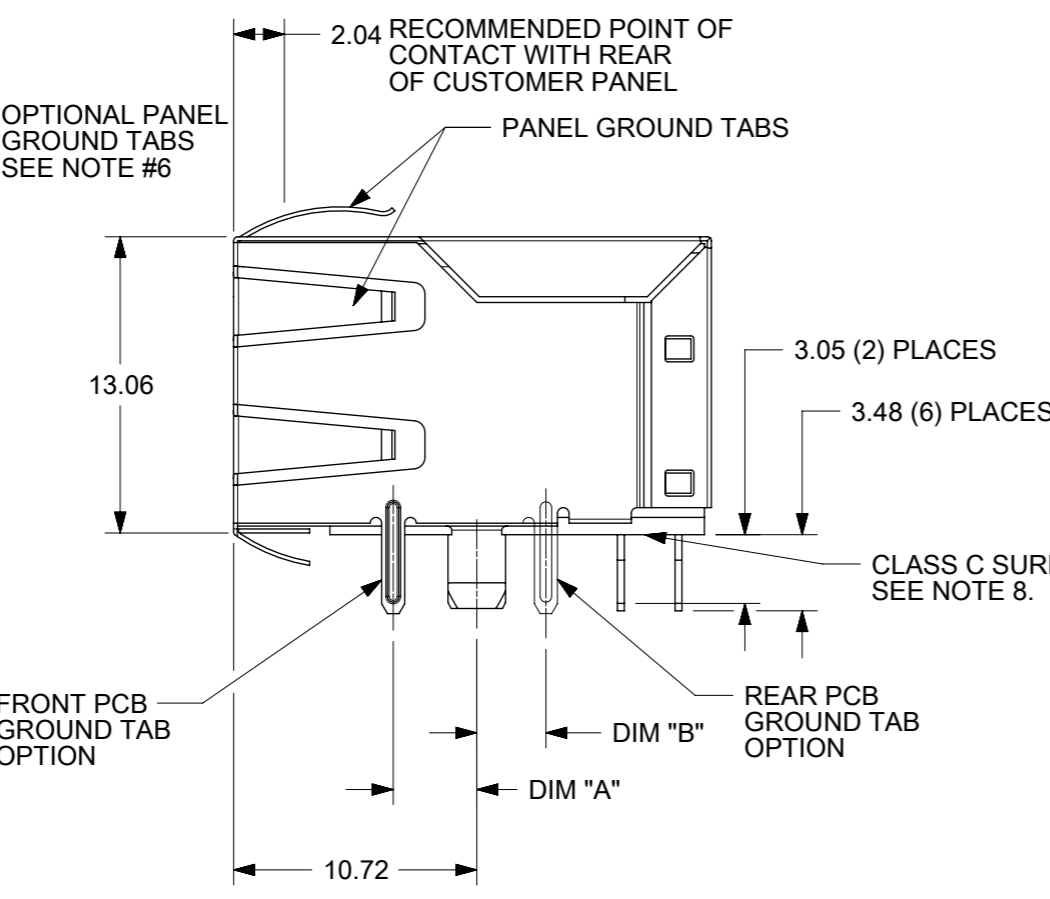
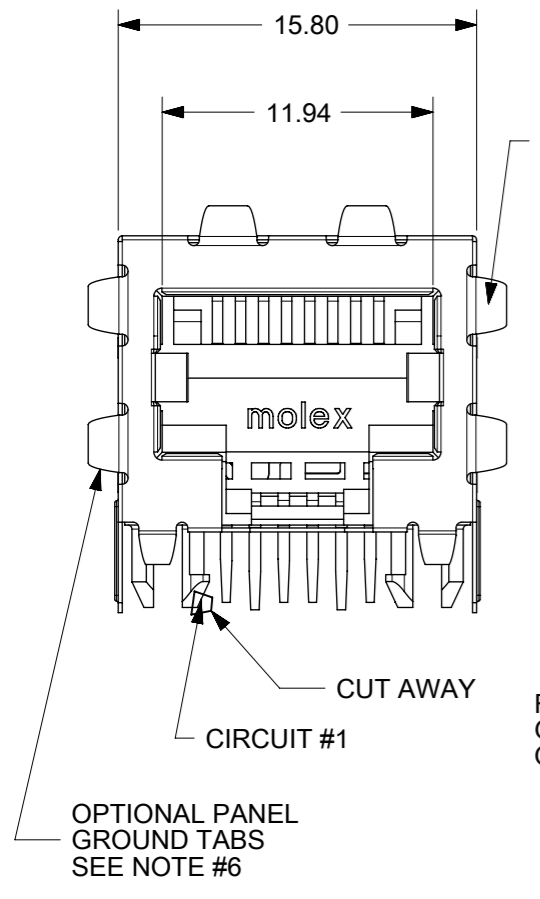
SNAP-FIT PEG
SCALE: NTS



PCB LAYOUT: COMPONENT SIDE
RECOMMENDED PCB THICKNESS: 1.57

- NOTES:
- 1) MATERIAL:
HOUSING: NYLON(PA), GLASS FILLED, UL94V-0, COLOR: BLACK
TERMINALS: PHOSPHOR BRONZE
 - 2) FINISH:
TERMINALS:
SELECT GOLD IN CONTACT AREA: 1.27 MICROMETERS MIN.,
SELECT MATTE TIN IN PC TAIL AREA: 2.54 MICROMETERS MIN.,
WITH OVERALL NICKEL UNDERPLATE: 1.27 MICROMETERS MIN.
 - 3) PRODUCT SPECIFICATION AND PROCESSING PARAMETERS: PS-44050-003.
 - 4) PACKAGING SPECIFICATION:
CONNECTOR ASSEMBLIES IN THERMOFORMED TRAYS PER MOLEX PACKAGING SPECIFICATION PK-44050-004.
 - 5) MATES WITH: MODULAR PLUGS THAT CONFORM TO FCC REGULATION PART 68.5.
 - 6) TERMINAL LENGTHS MAY BE DIFFERENT FROM TERMINAL TO TERMINAL.
 - 7) THIS PART CONFORMS TO CLASS B REQUIREMENTS OF COSMETIC SPECIFICATION PS-45499-002 WITH THE EXCEPTION OF THE SURFACE INDICATED, WHICH IS A CLASS C SURFACE.

FUNCTIONAL SYMBOLS	THIS DRAWING CONTAINS INFORMATION THAT IS PROPRIETARY TO MOLEX ELECTRONIC TECHNOLOGIES, LLC AND SHOULD NOT BE USED WITHOUT WRITTEN PERMISSION		CURRENT REV DESC: MIGRATED TO NX			molex		
	DIMENSION UNITS	SCALE						
▽A = 0	mm	4:1	EC NO: 709829			PRODUCT CUSTOMER DRAWING		
▽E = 0	GENERAL TOLERANCES (UNLESS SPECIFIED)		DRWN: CCV			2018/02/27		
▽F = 0	ANGULAR TOL ± 0.5°		CHK'D: KLANG			2022/06/29		
DIVISIONAL SYMBOLS	4 PLACES ±		APPR: KLANG			2022/06/29		
	3 PLACES ±		INITIAL REVISION:			DOCUMENT NUMBER		
	2 PLACES ±	0.25	DRWN: KMARANTO			SD-44050-002		
	1 PLACE ±		APPR: MMAYO			PSD 001 E5		
0 PLACES ±			0097/12/11			DOC TYPE DOC PART REVISION		
DRAFT WHERE APPLICABLE MUST REMAIN WITHIN DIMENSIONS		THIRD ANGLE PROJECTION	DRAWING	SERIES	MATERIAL NUMBER	CUSTOMER	SHEET NUMBER	
			A3-SIZE	44050	SEE CHART	GENERAL MARKET	1 OF 2	



PCB LAYOUT: COMPONENT SIDE
RECOMMENDED PCB THICKNESS: 1.57

- NOTES:
- MATERIAL:
HOUSING: NYLON(PA), GLASS FILLED, UL94V-0, COLOR: BLACK
TERMINALS: PHOSPHOR BRONZE
SHIELD: BRASS
 - FINISH:
TERMINALS:
SELECT GOLD IN CONTACT AREA: 1.27 MICROMETERS MIN.,
SELECT TIN IN PC TAIL AREA: 2.54 MICROMETERS MIN.,
WITH OVERALL NICKEL UNDERPLATE: 1.27 MICROMETERS MIN.
 - SHIELD:
2.54 MICROMETERS NICKEL OVER 1.27 MICROMETERS
COPPER UNDERPLATE, PCB GROUND TABS DIPPED IN TIN
 - PRODUCT SPECIFICATION AND PROCESSING PARAMETERS: PS-44050-003.
 - PACKAGING SPECIFICATION:
CONNECTOR ASSEMBLIES IN THERMOFORMED TRAYS PER MOLEX PACKAGING SPECIFICATION PK-44050-004.
 - MATES WITH: MODULAR PLUGS THAT CONFORM TO FCC REGULATION PART 68.5.
 - AVAILABLE WITH THE (2) SPECIFIED PANEL GROUND TABS OMITTED FOR SIDE TO SIDE STACKABILITY, PER THE ASSEMBLY MATERIAL NUMBER TABLE.
 - TERMINAL LENGTHS MAY BE DIFFERENT FROM TERMINAL TO TERMINAL.
 - THIS PART CONFORMS TO CLASS B REQUIREMENTS OF COSMETIC SPECIFICATION PS-45499-002 WITH THE EXCEPTION OF THE SURFACE INDICATED, WHICH IS A CLASS C SURFACE.

"X"=NOT TOOLED	ASSEMBLY MATERIAL NUM	DIM "A"	DIM -B-	PANEL GROUND TAB OPTION
	440500007	3.05	N/A	ALL
	440500002	3.68	N/A	ALL
	440500006	4.57	N/A	ALL
	440500003	N/A	3.05	ALL
X	440500009	3.05	N/A	SEE NOTE #6
X	440500004	3.68	N/A	SEE NOTE #6
X	440500008	4.57	N/A	SEE NOTE #6
X	440500005	N/A	3.05	SEE NOTE #6

FUNCTIONAL SYMBOLS	THIS DRAWING CONTAINS INFORMATION THAT IS PROPRIETARY TO MOLEX ELECTRONIC TECHNOLOGIES, LLC AND SHOULD NOT BE USED WITHOUT WRITTEN PERMISSION		CURRENT REV DESC: MIGRATED TO NX	
▽A = 0	DIMENSION UNITS	SCALE		
▽E = 0	mm	4:1		
▽E = 0	GENERAL TOLERANCES (UNLESS SPECIFIED)			
	ANGULAR TOL ± 0.5°			
DIVISIONAL SYMBOLS	4 PLACES ±		EC NO: 709829	2018/02/27
	3 PLACES ±		DRWN: CCV	2022/06/29
	2 PLACES ±	0.25	CHK'D: KLANG	2022/06/29
	1 PLACE ±		APPR: KLANG	
	0 PLACES ±		INITIAL REVISION:	
			DRWN: KMARANTO	0097/12/11
			APPR: MMAYO	0099/04/16
DRAFT WHERE APPLICABLE MUST REMAIN WITHIN DIMENSIONS		THIRD ANGLE PROJECTION	DRAWING	SERIES
			A3-SIZE	44050
			MATERIAL NUMBER	CUSTOMER
			SEE CHART	GENERAL MARKET
			DOCUMENT NUMBER	DOC TYPE DOC PART REVISION
			SD-44050-002	PSD 001 E5
				SHEET NUMBER
				2 OF 2