

# 74HC193; 74HCT193

## Presettable synchronous 4-bit binary up/down counter

Rev. 7 — 8 September 2021

Product data sheet

## 1. General description

The 74HC193; 74HCT193 is a 4-bit synchronous binary up/down counter. Separate up/down clocks, CPU and CPD respectively, simplify operation. The outputs change state synchronously with the LOW-to-HIGH transition of either clock input. If the CPU clock is pulsed while CPD is held HIGH, the device will count up. If the CPD clock is pulsed while CPU is held HIGH, the device will count down. Only one clock input can be held HIGH at any time to guarantee predictable behavior. The device can be cleared at any time by the asynchronous master reset input (MR); it may also be loaded in parallel by activating the asynchronous parallel load input ( $\overline{PL}$ ). The terminal count up ( $\overline{TCU}$ ) and terminal count down ( $\overline{TCD}$ ) outputs are normally HIGH. When the circuit has reached the maximum count state of 15, the next HIGH-to-LOW transition of CPU will cause  $\overline{TCU}$  to go LOW.  $\overline{TCU}$  will stay LOW until CPU goes HIGH again, duplicating the count up clock. Likewise, the  $\overline{TCD}$  output will go LOW when the circuit is in the zero state and the CPD goes LOW. The terminal count outputs can be used as the clock input signals to the next higher order circuit in a multistage counter, since they duplicate the clock waveforms. Multistage counters will not be fully synchronous, since there is a slight delay time difference added for each stage that is added. The counter may be preset by the asynchronous parallel load capability of the circuit. Information present on the parallel data inputs (D0 to D3) is loaded into the counter and appears on the outputs (Q0 to Q3) regardless of the conditions of the clock inputs when the parallel load ( $\overline{PL}$ ) input is LOW. A HIGH level on the master reset (MR) input will disable the parallel load gates, override both clock inputs and set all outputs (Q0 to Q3) LOW. If one of the clock inputs is LOW during and after a reset or load operation, the next LOW-to-HIGH transition of that clock will be interpreted as a legitimate signal and will be counted. Inputs include clamp diodes. This enables the use of current limiting resistors to interface inputs to voltages in excess of  $V_{CC}$ .

## 2. Features and benefits

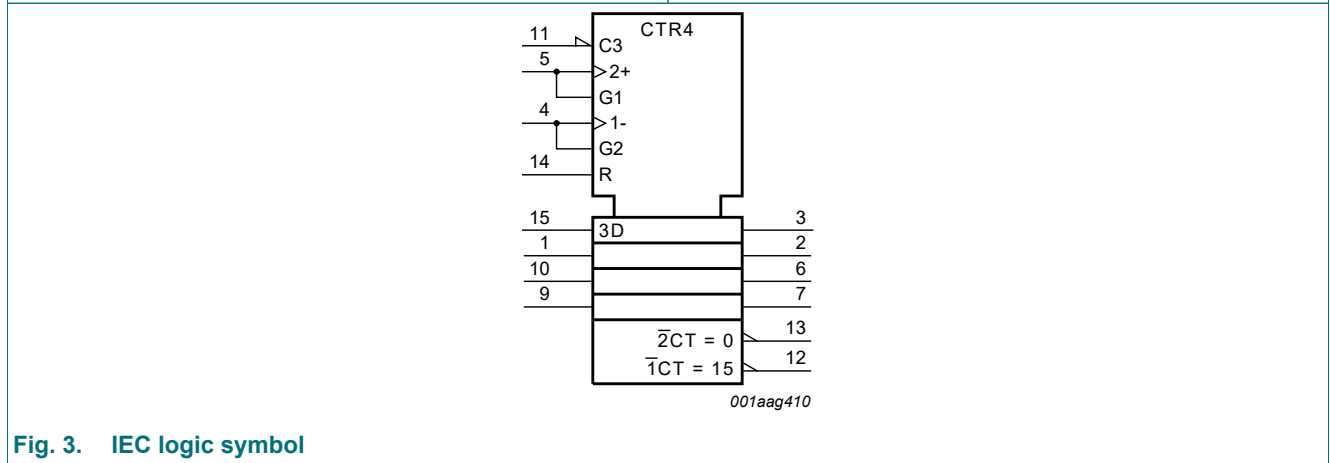
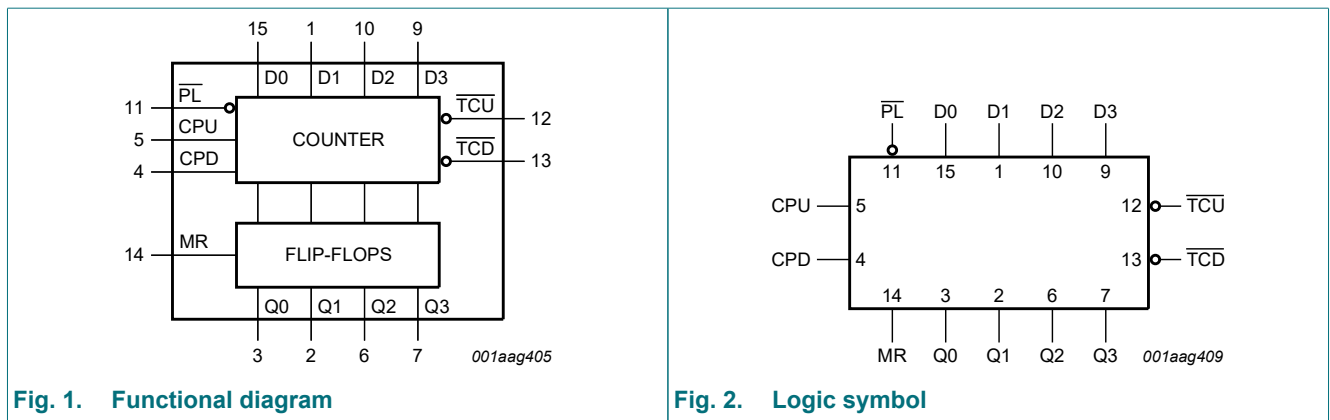
- Wide supply voltage range from 2.0 to 6.0 V
- CMOS low power dissipation
- High noise immunity
- Latch-up performance exceeds 100 mA per JESD 78 Class II Level B
- Input levels:
  - For 74HC193: CMOS level
  - For 74HCT193: TTL level
- Synchronous reversible 4-bit binary counting
- Asynchronous parallel load
- Asynchronous reset
- Expandable without external logic
- Complies with JEDEC standards:
  - JESD8C (2.7 V to 3.6 V)
  - JESD7A (2.0 V to 6.0 V)
- ESD protection:
  - HBM JESD22-A114F exceeds 2000 V
  - MM JESD22-A115-A exceeds 200 V.
- Specified from -40 °C to +85 °C and -40 °C to +125 °C.

### 3. Ordering information

Table 1. Ordering information

| Type number | Package           |         |  |          |
|-------------|-------------------|---------|--|----------|
|             | Temperature range | Name    | Description  | Version  |
| 74HC193D    | -40 °C to +125 °C | SO16    | plastic small outline package; 16 leads; body width 3.9 mm             | SOT109-1 |
| 74HCT193D   |                   |         |  |          |
| 74HC193PW   | -40 °C to +125 °C | TSSOP16 | plastic thin shrink small outline package; 16 leads; body width 4.4 mm | SOT403-1 |
| 74HCT193PW  |                   |         |  |          |

### 4. Functional diagram



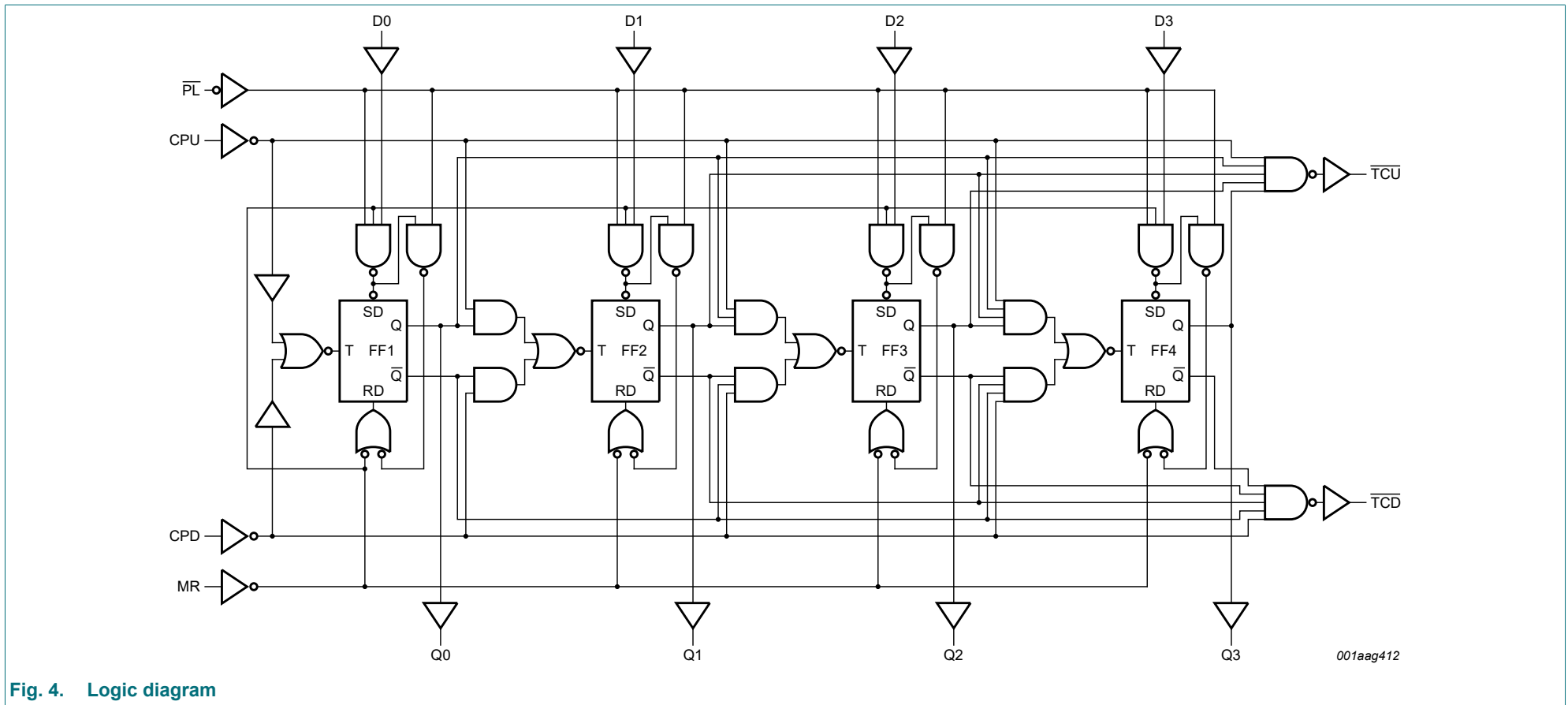
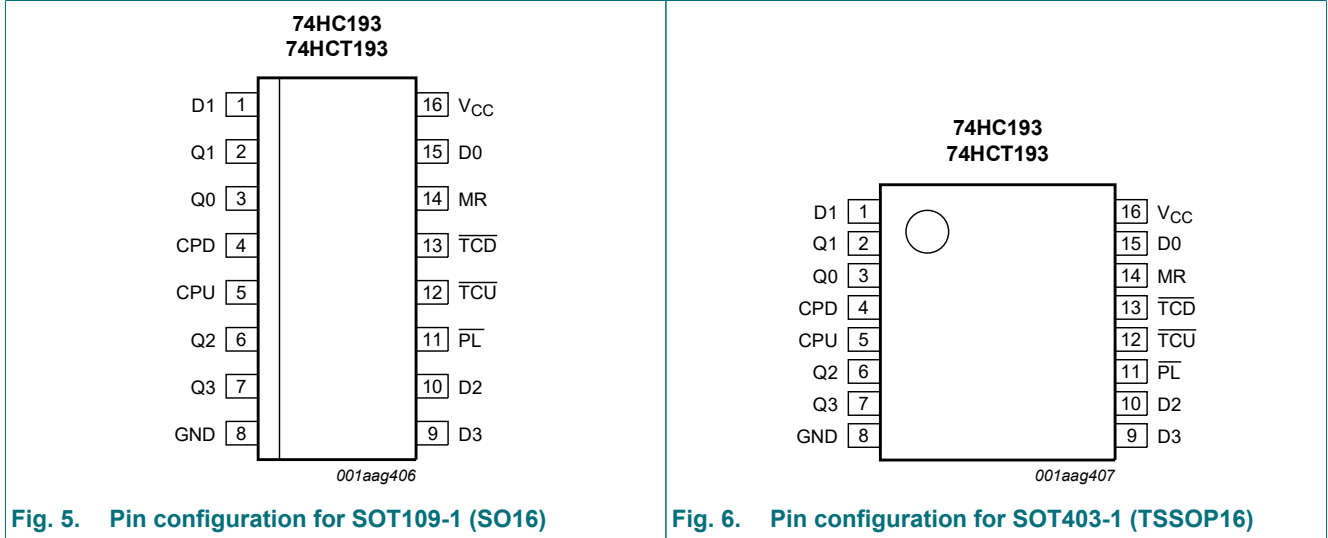


Fig. 4. Logic diagram

## 5. Pinning information

### 5.1. Pinning



### 5.2. Pin description

Table 2. Pin description

| Symbol          | Pin          | Description   |
|-----------------|--------------|---|
| D0, D1, D2, D3  | 15, 1, 10, 9 | data input  |
| Q0, Q1, Q2, Q3  | 3, 2, 6, 7   | flip-flop output                                    |
| CPD             | 4            | count down clock input; LOW-to-HIGH, edge triggered |
| CPU             | 5            | count up clock input; LOW-to-HIGH, edge triggered   |
| GND             | 8            | ground (0 V)  |
| PL              | 11           | asynchronous parallel load input (active LOW)       |
| TCU             | 12           | terminal count up (carry) output (active LOW)       |
| TCD             | 13           | terminal count down (borrow) output (active LOW)    |
| MR              | 14           | asynchronous master reset input (active HIGH)       |
| V <sub>CC</sub> | 16           | supply voltage                                      |

## 6. Functional description

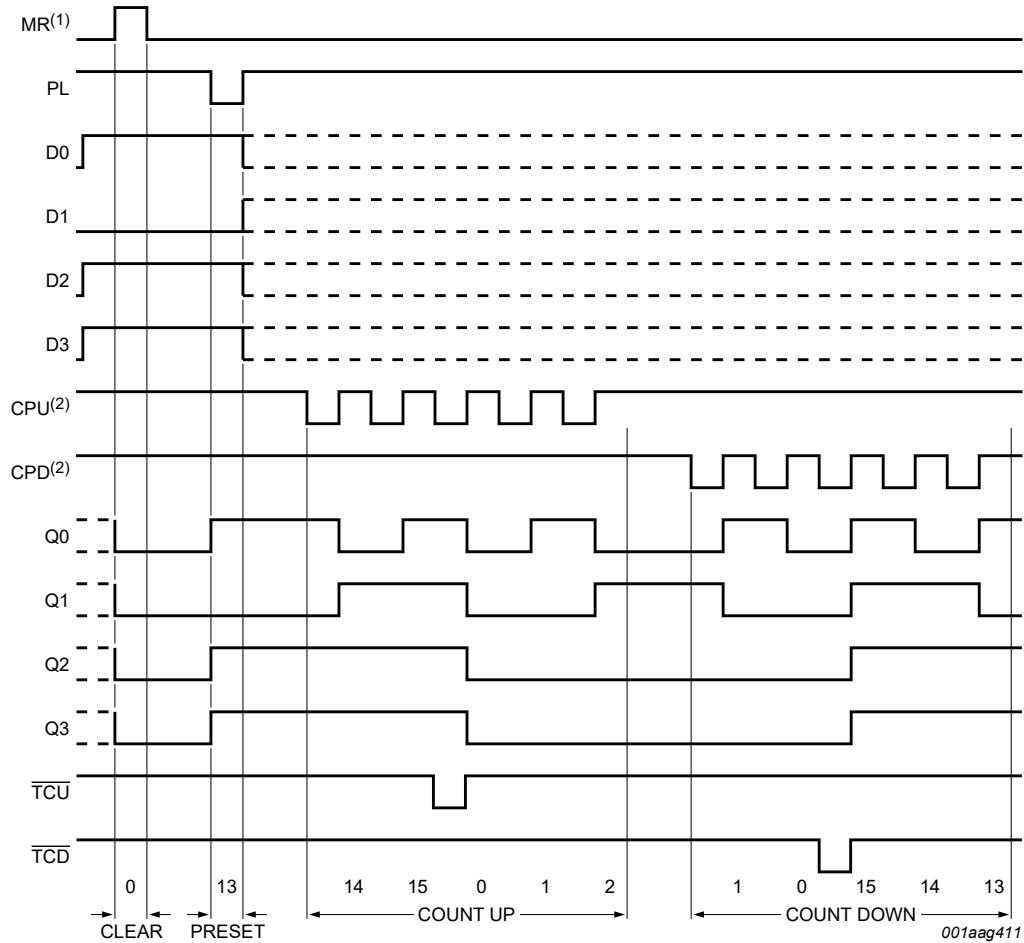
**Table 3. Function table**

*H = HIGH voltage level; L = LOW voltage level; X = don't care; ↑ = LOW-to-HIGH clock transition.*

| Operating mode | Inputs |    |     |     |    |    |    |    | Outputs    |    |    |    |       |       |
|----------------|--------|----|-----|-----|----|----|----|----|------------|----|----|----|-------|-------|
|                | MR     | PL | CPU | CPD | D0 | D1 | D2 | D3 | Q0         | Q1 | Q2 | Q3 | TCU   | TCD   |
| Reset (clear)  | H      | X  | X   | L   | X  | X  | X  | X  | L          | L  | L  | L  | H     | L     |
|                | H      | X  | X   | H   | X  | X  | X  | X  | L          | L  | L  | L  | H     | H     |
| Parallel load  | L      | L  | X   | L   | L  | L  | L  | L  | L          | L  | L  | L  | H     | L     |
|                | L      | L  | X   | H   | L  | L  | L  | L  | L          | L  | L  | L  | H     | H     |
|                | L      | L  | L   | X   | H  | H  | H  | H  | H          | H  | H  | H  | L     | H     |
|                | L      | L  | H   | X   | H  | H  | H  | H  | H          | H  | H  | H  | H     | H     |
| Count up       | L      | H  | ↑   | H   | X  | X  | X  | X  | count up   |    |    |    | H [1] | H     |
| Count down     | L      | H  | H   | ↑   | X  | X  | X  | X  | count down |    |    |    | H     | H [2] |

[1]  $\overline{\text{TCU}}$  = CPU at terminal count up (HHHH)

[2]  $\overline{\text{TCD}}$  = CPD at terminal count down (LLLL).



(1) Clear overrides load, data and count inputs.

(2) When counting up, the count down clock input (CPD) must be HIGH, when counting down the count up clock input (CPU) must be HIGH.

**Sequence:**

- Clear (reset outputs to zero);
- Load (preset) to binary thirteen;
- Count up to fourteen, fifteen, terminal count up, zero, one and two;
- Count down to one, zero, terminal count down, fifteen, fourteen and thirteen.

Fig. 7. Typical clear, load and count sequence

## 7. Limiting values

**Table 4. Limiting values**

In accordance with the Absolute Maximum Rating System (IEC 60134). Voltages are referenced to GND (ground = 0 V).

| Symbol    | Parameter               | Conditions   | Min  | Max      | Unit |
|-----------|-------------------------|--|------|----------|------|
| $V_{CC}$  | supply voltage          |  | -0.5 | +7.0     | V    |
| $I_{IK}$  | input clamping current  | $V_I < -0.5\text{ V}$ or $V_I > V_{CC} + 0.5\text{ V}$ [1] | -    | $\pm 20$ | mA   |
| $I_{OK}$  | output clamping current | $V_O < -0.5\text{ V}$ or $V_O > V_{CC} + 0.5\text{ V}$ [1] | -    | $\pm 20$ | mA   |
| $I_O$     | output current          | $V_O = -0.5\text{ V}$ to $V_{CC} + 0.5\text{ V}$           | -    | $\pm 25$ | mA   |
| $I_{CC}$  | supply current          |  | -    | 50       | mA   |
| $I_{GND}$ | ground current          |  | -    | -50      | mA   |
| $T_{stg}$ | storage temperature     |  | -65  | +150     | °C   |
| $P_{tot}$ | total power dissipation | [2]  | -    | 500      | mW   |

[1] The input and output voltage ratings may be exceeded if the input and output current ratings are observed.

[2] For SOT109-1 (SO16) package:  $P_{tot}$  derates linearly with 12.4 mW/K above 110 °C.  
For SOT403-1 (TSSOP16) package:  $P_{tot}$  derates linearly with 8.5 mW/K above 91 °C.

## 8. Recommended operating conditions

**Table 5. Recommended operating conditions**

Voltages are referenced to GND (ground = 0 V)

| Symbol              | Parameter                           | Conditions              | 74HC193 |      |          | 74HCT193 |      |          | Unit |
|---------------------|-------------------------------------|-------------------------|---------|------|----------|----------|------|----------|------|
|                     |                                     |                         | Min     | Typ  | Max      | Min      | Typ  | Max      |      |
| $V_{CC}$            | supply voltage                      |                         | 2.0     | 5.0  | 6.0      | 4.5      | 5.0  | 5.5      | V    |
| $V_I$               | input voltage                       |                         | 0       | -    | $V_{CC}$ | 0        | -    | $V_{CC}$ | V    |
| $V_O$               | output voltage                      |                         | 0       | -    | $V_{CC}$ | 0        | -    | $V_{CC}$ | V    |
| $T_{amb}$           | ambient temperature                 |                         | -40     | +25  | +125     | -40      | +25  | +125     | °C   |
| $\Delta t/\Delta V$ | input transition rise and fall rate | $V_{CC} = 2.0\text{ V}$ | -       | -    | 625      | -        | -    | -        | ns/V |
|                     |                                     | $V_{CC} = 4.5\text{ V}$ | -       | 1.67 | 139      | -        | 1.67 | 139      | ns/V |
|                     |                                     | $V_{CC} = 6.0\text{ V}$ | -       | -    | 83       | -        | -    | -        | ns/V |

## 9. Static characteristics

**Table 6. Static characteristics type 74HC193**

At recommended operating conditions; voltages are referenced to GND (ground = 0 V).

| Symbol                         | Parameter                 | Conditions   | Min  | Typ  | Max  | Unit |
|--------------------------------|---------------------------|--|------|------|------|------|
| <b>T<sub>amb</sub> = 25 °C</b> |                           |  |      |      |      |      |
| V <sub>IH</sub>                | HIGH-level input voltage  | V <sub>CC</sub> = 2.0 V  | 1.5  | 1.2  | -    | V    |
|                                |                           | V <sub>CC</sub> = 4.5 V  | 3.15 | 2.4  | -    | V    |
|                                |                           | V <sub>CC</sub> = 6.0 V  | 4.2  | 3.2  | -    | V    |
| V <sub>IL</sub>                | LOW-level input voltage   | V <sub>CC</sub> = 2.0 V  | -    | 0.8  | 0.5  | V    |
|                                |                           | V <sub>CC</sub> = 4.5 V  | -    | 2.1  | 1.35 | V    |
|                                |                           | V <sub>CC</sub> = 6.0 V  | -    | 2.8  | 1.8  | V    |
| V <sub>OH</sub>                | HIGH-level output voltage | V <sub>I</sub> = V <sub>IH</sub> or V <sub>IL</sub>                                    | -    | -    | -    |      |
|                                |                           | I <sub>O</sub> = -20 μA; V <sub>CC</sub> = 2.0 V                                       | 1.9  | 2.0  | -    | V    |
|                                |                           | I <sub>O</sub> = -20 μA; V <sub>CC</sub> = 4.5 V                                       | 4.4  | 4.5  | -    | V    |
|                                |                           | I <sub>O</sub> = -20 μA; V <sub>CC</sub> = 6.0 V                                       | 5.9  | 6.0  | -    | V    |
|                                |                           | I <sub>O</sub> = -4.0 mA; V <sub>CC</sub> = 4.5 V                                      | 3.98 | 4.32 | -    | V    |
|                                |                           | I <sub>O</sub> = -5.2 mA; V <sub>CC</sub> = 6.0 V                                      | 5.48 | 5.81 | -    | V    |
| V <sub>OL</sub>                | LOW-level output voltage  | V <sub>I</sub> = V <sub>IH</sub> or V <sub>IL</sub>                                    |      |      |      |      |
|                                |                           | I <sub>O</sub> = 20 μA; V <sub>CC</sub> = 2.0 V  | -    | 0    | 0.1  | V    |
|                                |                           | I <sub>O</sub> = 20 μA; V <sub>CC</sub> = 4.5 V  | -    | 0    | 0.1  | V    |
|                                |                           | I <sub>O</sub> = 20 μA; V <sub>CC</sub> = 6.0 V  | -    | 0    | 0.1  | V    |
|                                |                           | I <sub>O</sub> = 4.0 mA; V <sub>CC</sub> = 4.5 V                                       | -    | 0.15 | 0.26 | V    |
|                                |                           | I <sub>O</sub> = 5.2 mA; V <sub>CC</sub> = 6.0 V                                       | -    | 0.16 | 0.26 | V    |
| I <sub>I</sub>                 | input leakage current     | V <sub>I</sub> = V <sub>CC</sub> or GND; V <sub>CC</sub> = 6.0 V                       | -    | -    | ±0.1 | μA   |
| I <sub>CC</sub>                | supply current            | V <sub>I</sub> = V <sub>CC</sub> or GND; I <sub>O</sub> = 0 A; V <sub>CC</sub> = 6.0 V | -    | -    | 8.0  | μA   |
| C <sub>i</sub>                 | input capacitance         |  | -    | 3.5  | -    | pF   |



## Presettable synchronous 4-bit binary up/down counter

| Symbol                                     | Parameter                 | Conditions   | Min  | Typ | Max  | Unit |
|--|---------------------------|--|------|-----|------|------|
| <b>T<sub>amb</sub> = -40 °C to +85 °C</b>  |                           |  |      |     |      |      |
| V <sub>IH</sub>                            | HIGH-level input voltage  | V <sub>CC</sub> = 2.0 V  | 1.5  | -   | -    | V    |
|  |                           | V <sub>CC</sub> = 4.5 V  | 3.15 | -   | -    | V    |
|  |                           | V <sub>CC</sub> = 6.0 V  | 4.2  | -   | -    | V    |
| V <sub>IL</sub>                            | LOW-level input voltage   | V <sub>CC</sub> = 2.0 V  | -    | -   | 0.5  | V    |
|  |                           | V <sub>CC</sub> = 4.5 V  | -    | -   | 1.35 | V    |
|  |                           | V <sub>CC</sub> = 6.0 V  | -    | -   | 1.8  | V    |
| V <sub>OH</sub>                            | HIGH-level output voltage | V <sub>I</sub> = V <sub>IH</sub> or V <sub>IL</sub>                                    |      |     |      |      |
|  |                           | I <sub>O</sub> = -20 µA; V <sub>CC</sub> = 2.0 V                                       | 1.9  | -   | -    | V    |
|  |                           | I <sub>O</sub> = -20 µA; V <sub>CC</sub> = 4.5 V                                       | 4.4  | -   | -    | V    |
|  |                           | I <sub>O</sub> = -20 µA; V <sub>CC</sub> = 6.0 V                                       | 5.9  | -   | -    | V    |
|  |                           | I <sub>O</sub> = -4.0 mA; V <sub>CC</sub> = 4.5 V                                      | 3.84 | -   | -    | V    |
|  |                           | I <sub>O</sub> = -5.2 mA; V <sub>CC</sub> = 6.0 V                                      | 5.34 | -   | -    | V    |
| V <sub>OL</sub>                            | LOW-level output voltage  | V <sub>I</sub> = V <sub>IH</sub> or V <sub>IL</sub>                                    |      |     |      |      |
|  |                           | I <sub>O</sub> = 20 µA; V <sub>CC</sub> = 2.0 V  | -    | -   | 0.1  | V    |
|  |                           | I <sub>O</sub> = 20 µA; V <sub>CC</sub> = 4.5 V  | -    | -   | 0.1  | V    |
|  |                           | I <sub>O</sub> = 20 µA; V <sub>CC</sub> = 6.0 V  | -    | -   | 0.1  | V    |
|  |                           | I <sub>O</sub> = 4.0 mA; V <sub>CC</sub> = 4.5 V                                       | -    | -   | 0.33 | V    |
|  |                           | I <sub>O</sub> = 5.2 mA; V <sub>CC</sub> = 6.0 V                                       | -    | -   | 0.33 | V    |
| I <sub>I</sub>                             | input leakage current     | V <sub>I</sub> = V <sub>CC</sub> or GND; V <sub>CC</sub> = 6.0 V                       | -    | -   | ±1.0 | µA   |
| I <sub>CC</sub>                            | supply current            | V <sub>I</sub> = V <sub>CC</sub> or GND; I <sub>O</sub> = 0 A; V <sub>CC</sub> = 6.0 V | -    | -   | 80   | µA   |
| <b>T<sub>amb</sub> = -40 °C to +125 °C</b> |                           |  |      |     |      |      |
| V <sub>IH</sub>                            | HIGH-level input voltage  | V <sub>CC</sub> = 2.0 V  | 1.5  | -   | -    | V    |
|  |                           | V <sub>CC</sub> = 4.5 V  | 3.15 | -   | -    | V    |
|  |                           | V <sub>CC</sub> = 6.0 V  | 4.2  | -   | -    | V    |
| V <sub>IL</sub>                            | LOW-level input voltage   | V <sub>CC</sub> = 2.0 V  | -    | -   | 0.5  | V    |
|  |                           | V <sub>CC</sub> = 4.5 V  | -    | -   | 1.35 | V    |
|  |                           | V <sub>CC</sub> = 6.0 V  | -    | -   | 1.8  | V    |
| V <sub>OH</sub>                            | HIGH-level output voltage | V <sub>I</sub> = V <sub>IH</sub> or V <sub>IL</sub>                                    |      |     |      |      |
|  |                           | I <sub>O</sub> = -20 µA; V <sub>CC</sub> = 2.0 V                                       | 1.9  | -   | -    | V    |
|  |                           | I <sub>O</sub> = -20 µA; V <sub>CC</sub> = 4.5 V                                       | 4.4  | -   | -    | V    |
|  |                           | I <sub>O</sub> = -20 µA; V <sub>CC</sub> = 6.0 V                                       | 5.9  | -   | -    | V    |
|  |                           | I <sub>O</sub> = -4.0 mA; V <sub>CC</sub> = 4.5 V                                      | 3.7  | -   | -    | V    |
|  |                           | I <sub>O</sub> = -5.2 mA; V <sub>CC</sub> = 6.0 V                                      | 5.2  | -   | -    | V    |
| V <sub>OL</sub>                            | LOW-level output voltage  | V <sub>I</sub> = V <sub>IH</sub> or V <sub>IL</sub>                                    |      |     |      |      |
|  |                           | I <sub>O</sub> = 20 µA; V <sub>CC</sub> = 2.0 V  | -    | -   | 0.1  | V    |
|  |                           | I <sub>O</sub> = 20 µA; V <sub>CC</sub> = 4.5 V  | -    | -   | 0.1  | V    |
|  |                           | I <sub>O</sub> = 20 µA; V <sub>CC</sub> = 6.0 V  | -    | -   | 0.1  | V    |
|  |                           | I <sub>O</sub> = 4.0 mA; V <sub>CC</sub> = 4.5 V                                       | -    | -   | 0.4  | V    |
|  |                           | I <sub>O</sub> = 5.2 mA; V <sub>CC</sub> = 6.0 V                                       | -    | -   | 0.4  | V    |
| I <sub>I</sub>                             | input leakage current     | V <sub>I</sub> = V <sub>CC</sub> or GND; V <sub>CC</sub> = 6.0 V                       | -    | -   | ±1.0 | µA   |
| I <sub>CC</sub>                            | supply current            | V <sub>I</sub> = V <sub>CC</sub> or GND; I <sub>O</sub> = 0 A; V <sub>CC</sub> = 6.0 V | -    | -   | 160  | µA   |

Table 7. Static characteristics type 74HCT193

At recommended operating conditions; voltages are referenced to GND (ground = 0 V).

| Symbol                                    | Parameter                 | Conditions  | Min  | Typ  | Max   | Unit |
|---|---------------------------|---|------|------|-------|------|
| <b>T<sub>amb</sub> = 25 °C</b>            |                           |   |      |      |       |      |
| V <sub>IH</sub>                           | HIGH-level input voltage  | V <sub>CC</sub> = 4.5 V to 5.5 V  | 2.0  | 1.6  | -     | V    |
| V <sub>IL</sub>                           | LOW-level input voltage   | V <sub>CC</sub> = 4.5 V to 5.5 V  | -    | 1.2  | 0.8   | V    |
| V <sub>OH</sub>                           | HIGH-level output voltage | V <sub>I</sub> = V <sub>IH</sub> or V <sub>IL</sub> ; V <sub>CC</sub> = 4.5 V   |      |      |       |      |
|   |                           | I <sub>O</sub> = -20 µA   | 4.4  | 4.5  | -     | V    |
|   |                           | I <sub>O</sub> = -4.0 mA  | 3.98 | 4.32 | -     | V    |
| V <sub>OL</sub>                           | LOW-level output voltage  | V <sub>I</sub> = V <sub>IH</sub> or V <sub>IL</sub> ; V <sub>CC</sub> = 4.5 V   |      |      |       |      |
|   |                           | I <sub>O</sub> = 20 µA  | -    | 0    | 0.1   | V    |
|   |                           | I <sub>O</sub> = 4.0 mA   | -    | 0.15 | 0.26  | V    |
| I <sub>I</sub>                            | input leakage current     | V <sub>I</sub> = V <sub>CC</sub> or GND; V <sub>CC</sub> = 5.5 V  | -    | -    | ±0.1  | µA   |
| I <sub>CC</sub>                           | supply current            | V <sub>I</sub> = V <sub>CC</sub> or GND; I <sub>O</sub> = 0 A; V <sub>CC</sub> = 5.5 V  | -    | -    | 8.0   | µA   |
| ΔI <sub>CC</sub>                          | additional supply current | per input pin;<br>V <sub>I</sub> = V <sub>CC</sub> - 2.1 V; other inputs at V <sub>CC</sub> or GND;<br>I <sub>O</sub> = 0 A; V <sub>CC</sub> = 4.5 V to 5.5 V |      |      |       |      |
|   |                           | pin Dn  | -    | 35   | 126   | µA   |
|   |                           | pins CPU, CPD   | -    | 140  | 504   | µA   |
|   |                           | pin $\overline{PL}$   | -    | 65   | 234   | µA   |
|   |                           | pin MR  | -    | 105  | 378   | µA   |
| C <sub>i</sub>                            | input capacitance         |   | -    | 3.5  | -     | pF   |
| <b>T<sub>amb</sub> = -40 °C to +85 °C</b> |                           |   |      |      |       |      |
| V <sub>IH</sub>                           | HIGH-level input voltage  | V <sub>CC</sub> = 4.5 V to 5.5 V  | 2.0  | -    | -     | V    |
| V <sub>IL</sub>                           | LOW-level input voltage   | V <sub>CC</sub> = 4.5 V to 5.5 V  | -    | -    | 0.8   | V    |
| V <sub>OH</sub>                           | HIGH-level output voltage | V <sub>I</sub> = V <sub>IH</sub> or V <sub>IL</sub> ; V <sub>CC</sub> = 4.5 V   |      |      |       |      |
|   |                           | I <sub>O</sub> = -20 µA   | 4.4  | -    | -     | V    |
|   |                           | I <sub>O</sub> = -4.0 mA  | 3.84 | -    | -     | V    |
| V <sub>OL</sub>                           | LOW-level output voltage  | V <sub>I</sub> = V <sub>IH</sub> or V <sub>IL</sub> ; V <sub>CC</sub> = 4.5 V   |      |      |       |      |
|   |                           | I <sub>O</sub> = 20 µA  | -    | -    | 0.1   | V    |
|   |                           | I <sub>O</sub> = 4.0 mA   | -    | -    | 0.33  | V    |
| I <sub>I</sub>                            | input leakage current     | V <sub>I</sub> = V <sub>CC</sub> or GND; V <sub>CC</sub> = 5.5 V  | -    | -    | ±1.0  | µA   |
| I <sub>CC</sub>                           | supply current            | V <sub>I</sub> = V <sub>CC</sub> or GND; I <sub>O</sub> = 0 A; V <sub>CC</sub> = 5.5 V  | -    | -    | 80    | µA   |
| ΔI <sub>CC</sub>                          | additional supply current | per input pin;<br>V <sub>I</sub> = V <sub>CC</sub> - 2.1 V; other inputs at V <sub>CC</sub> or GND;<br>I <sub>O</sub> = 0 A; V <sub>CC</sub> = 4.5 V to 5.5 V |      |      |       |      |
|   |                           | pin Dn  | -    | -    | 157.5 | µA   |
|   |                           | pins CPU, CPD   | -    | -    | 630   | µA   |
|   |                           | pin $\overline{PL}$   | -    | -    | 292.5 | µA   |
|   |                           | pin MR  | -    | -    | 472.5 | µA   |

## Presettable synchronous 4-bit binary up/down counter

| Symbol                                     | Parameter                 | Conditions  | Min | Typ | Max   | Unit |
|--|---------------------------|---|-----|-----|-------|------|
| <b>T<sub>amb</sub> = -40 °C to +125 °C</b> |                           |   |     |     |       |      |
| V <sub>IH</sub>                            | HIGH-level input voltage  | V <sub>CC</sub> = 4.5 V to 5.5 V  | 2.0 | -   | -     | V    |
| V <sub>IL</sub>                            | LOW-level input voltage   | V <sub>CC</sub> = 4.5 V to 5.5 V  | -   | -   | 0.8   | V    |
| V <sub>OH</sub>                            | HIGH-level output voltage | V <sub>I</sub> = V <sub>IH</sub> or V <sub>IL</sub> ; V <sub>CC</sub> = 4.5 V   |     |     |       |      |
|  |                           | I <sub>O</sub> = -20 µA   | 4.4 | -   | -     | V    |
|  |                           | I <sub>O</sub> = -4.0 mA  | 3.7 | -   | -     | V    |
| V <sub>OL</sub>                            | LOW-level output voltage  | V <sub>I</sub> = V <sub>IH</sub> or V <sub>IL</sub> ; V <sub>CC</sub> = 4.5 V   |     |     |       |      |
|  |                           | I <sub>O</sub> = 20 µA  | -   | -   | 0.1   | V    |
|  |                           | I <sub>O</sub> = 4.0 mA   | -   | -   | 0.4   | V    |
| I <sub>I</sub>                             | input leakage current     | V <sub>I</sub> = V <sub>CC</sub> or GND; V <sub>CC</sub> = 5.5 V  | -   | -   | ±1.0  | µA   |
| I <sub>CC</sub>                            | supply current            | V <sub>I</sub> = V <sub>CC</sub> or GND; I <sub>O</sub> = 0 A; V <sub>CC</sub> = 5.5 V  | -   | -   | 160   | µA   |
| ΔI <sub>CC</sub>                           | additional supply current | per input pin;<br>V <sub>I</sub> = V <sub>CC</sub> - 2.1 V; other inputs at V <sub>CC</sub> or GND;<br>I <sub>O</sub> = 0 A; V <sub>CC</sub> = 4.5 V to 5.5 V |     |     |       |      |
|  |                           | pin Dn  | -   | -   | 171.5 | µA   |
|  |                           | pins CPU, CPD   | -   | -   | 686   | µA   |
|  |                           | pin PL  | -   | -   | 318.5 | µA   |
|  |                           | pin MR  | -   | -   | 514.5 | µA   |

## 10. Dynamic characteristics

Table 8. Dynamic characteristics type 74HC193

| Symbol   | Parameter         | Conditions   | 25 °C |     |     | -40 °C to +85 °C |     | -40 °C to +125 °C |     | Unit |
|--|-------------------|--|-------|-----|-----|------------------|-----|-------------------|-----|------|
|  |                   |  | Min   | Typ | Max | Min              | Max | Min               | Max |      |
| $t_{pd}$   | propagation delay | CPU, CPD to Qn; see <a href="#">Fig. 8</a> [1]   | -     |     |     |                  |     |                   |     |      |
|  |                   | $V_{CC} = 2.0\text{ V}$  | -     | 63  | 215 | -                | 270 | -                 | 325 | ns   |
|  |                   | $V_{CC} = 4.5\text{ V}$  | -     | 23  | 43  | -                | 54  | -                 | 65  | ns   |
|  |                   | $V_{CC} = 6.0\text{ V}$  | -     | 18  | 37  | -                | 46  | -                 | 55  | ns   |
|  |                   | CPU to $\overline{TCU}$ ; see <a href="#">Fig. 9</a>   |       |     |     |                  |     |                   |     |      |
|  |                   | $V_{CC} = 2.0\text{ V}$  | -     | 39  | 125 | -                | 155 | -                 | 190 | ns   |
|  |                   | $V_{CC} = 4.5\text{ V}$  | -     | 14  | 25  | -                | 31  | -                 | 38  | ns   |
|  |                   | $V_{CC} = 6.0\text{ V}$  | -     | 11  | 21  | -                | 26  | -                 | 32  | ns   |
|  |                   | CPD to $\overline{TCD}$ ; see <a href="#">Fig. 9</a>   |       |     |     |                  |     |                   |     |      |
|  |                   | $V_{CC} = 2.0\text{ V}$  | -     | 39  | 125 | -                | 155 | -                 | 190 | ns   |
|  |                   | $V_{CC} = 4.5\text{ V}$  | -     | 14  | 25  | -                | 31  | -                 | 38  | ns   |
|  |                   | $V_{CC} = 6.0\text{ V}$  | -     | 11  | 21  | -                | 26  | -                 | 32  | ns   |
|  |                   | PL to Qn; see <a href="#">Fig. 10</a>  |       |     |     |                  |     |                   |     |      |
|  |                   | $V_{CC} = 2.0\text{ V}$  | -     | 69  | 220 | -                | 275 | -                 | 330 | ns   |
|  |                   | $V_{CC} = 4.5\text{ V}$  | -     | 25  | 44  | -                | 55  | -                 | 66  | ns   |
|  |                   | $V_{CC} = 6.0\text{ V}$  | -     | 20  | 37  | -                | 47  | -                 | 56  | ns   |
|  |                   | MR to Qn; see <a href="#">Fig. 11</a>  |       |     |     |                  |     |                   |     |      |
|  |                   | $V_{CC} = 2.0\text{ V}$  | -     | 58  | 200 | -                | 250 | -                 | 300 | ns   |
|  |                   | $V_{CC} = 4.5\text{ V}$  | -     | 21  | 40  | -                | 50  | -                 | 60  | ns   |
|  |                   | $V_{CC} = 6.0\text{ V}$  | -     | 17  | 34  | -                | 43  | -                 | 51  | ns   |
|  |                   | Dn to Qn; see <a href="#">Fig. 10</a>  |       |     |     |                  |     |                   |     |      |
|  |                   | $V_{CC} = 2.0\text{ V}$  | -     | 69  | 210 | -                | 265 | -                 | 315 | ns   |
|  |                   | $V_{CC} = 4.5\text{ V}$  | -     | 25  | 42  | -                | 53  | -                 | 63  | ns   |
|  |                   | $V_{CC} = 6.0\text{ V}$  | -     | 20  | 36  | -                | 45  | -                 | 54  | ns   |
|  |                   | $\overline{PL}$ to $\overline{TCU}$ , $\overline{PL}$ to $\overline{TCD}$ ;<br>see <a href="#">Fig. 13</a> |       |     |     |                  |     |                   |     |      |
|  |                   | $V_{CC} = 2.0\text{ V}$  | -     | 80  | 290 | -                | 365 | -                 | 435 | ns   |
|  |                   | $V_{CC} = 4.5\text{ V}$  | -     | 29  | 58  | -                | 73  | -                 | 87  | ns   |
|  |                   | $V_{CC} = 6.0\text{ V}$  | -     | 23  | 49  | -                | 62  | -                 | 74  | ns   |
|  |                   | MR to $\overline{TCU}$ , MR to $\overline{TCD}$ ;<br>see <a href="#">Fig. 13</a>                           |       |     |     |                  |     |                   |     |      |
|  |                   | $V_{CC} = 2.0\text{ V}$  | -     | 74  | 285 | -                | 355 | -                 | 430 | ns   |
| $V_{CC} = 4.5\text{ V}$  | -                 | 27   | 57    | -   | 71  | -                | 86  | ns                |     |      |
| $V_{CC} = 6.0\text{ V}$  | -                 | 22   | 48    | -   | 60  | -                | 73  | ns                |     |      |
| Dn to $\overline{TCU}$ , Dn to $\overline{TCD}$ ;<br>see <a href="#">Fig. 13</a> |                   |  |       |     |     |                  |     |                   |     |      |
| $V_{CC} = 2.0\text{ V}$  | -                 | 80   | 290   | -   | 365 | -                | 435 | ns                |     |      |
| $V_{CC} = 4.5\text{ V}$  | -                 | 29   | 58    | -   | 73  | -                | 87  | ns                |     |      |
| $V_{CC} = 6.0\text{ V}$  | -                 | 23   | 49    | -   | 62  | -                | 74  | ns                |     |      |

## Presettable synchronous 4-bit binary up/down counter

| Symbol                  | Parameter                          | Conditions                              | 25 °C |     |     | -40 °C to +85 °C |     | -40 °C to +125 °C |     | Unit |
|-------------------------|------------------------------------|---|-------|-----|-----|------------------|-----|-------------------|-----|------|
|                         |                                    |   | Min   | Typ | Max | Min              | Max | Min               | Max |      |
| t <sub>THL</sub>        | HIGH to LOW output transition time | see Fig. 11                             |       |     |     |                  |     |                   |     |      |
|                         |                                    | V <sub>CC</sub> = 2.0 V                 | -     | 19  | 75  | -                | 95  | -                 | 110 | ns   |
|                         |                                    | V <sub>CC</sub> = 4.5 V                 | -     | 7   | 15  | -                | 19  | -                 | 22  | ns   |
|                         |                                    | V <sub>CC</sub> = 6.0 V                 | -     | 6   | 13  | -                | 16  | -                 | 19  | ns   |
| t <sub>TLH</sub>        | LOW to HIGH output transition time | see Fig. 11                             |       |     |     |                  |     |                   |     |      |
|                         |                                    | V <sub>CC</sub> = 2.0 V                 | -     | 19  | 75  | -                | 95  | -                 | 110 | ns   |
|                         |                                    | V <sub>CC</sub> = 4.5 V                 | -     | 7   | 15  | -                | 19  | -                 | 22  | ns   |
|                         |                                    | V <sub>CC</sub> = 6.0 V                 | -     | 6   | 13  | -                | 16  | -                 | 19  | ns   |
| t <sub>W</sub>          | pulse width                        | CPU, CPD; HIGH or LOW; see Fig. 8       |       |     |     |                  |     |                   |     |      |
|                         |                                    | V <sub>CC</sub> = 2.0 V                 | 100   | 22  | -   | 125              | -   | 150               | -   | ns   |
|                         |                                    | V <sub>CC</sub> = 4.5 V                 | 20    | 8   | -   | 25               | -   | 30                | -   | ns   |
|                         |                                    | V <sub>CC</sub> = 6.0 V                 | 17    | 6   | -   | 21               | -   | 26                | -   | ns   |
|                         |                                    | MR HIGH; see Fig. 11                    |       |     |     |                  |     |                   |     |      |
|                         |                                    | V <sub>CC</sub> = 2.0 V                 | 100   | 25  | -   | 125              | -   | 150               | -   | ns   |
|                         |                                    | V <sub>CC</sub> = 4.5 V                 | 20    | 9   | -   | 25               | -   | 30                | -   | ns   |
|                         |                                    | V <sub>CC</sub> = 6.0 V                 | 17    | 7   | -   | 21               | -   | 26                | -   | ns   |
|                         |                                    | PL LOW; see Fig. 10                     |       |     |     |                  |     |                   |     |      |
|                         |                                    | V <sub>CC</sub> = 2.0 V                 | 100   | 19  | -   | 125              | -   | 150               | -   | ns   |
| V <sub>CC</sub> = 4.5 V | 20                                 | 7                                       | -     | 25  | -   | 30               | -   | ns                |     |      |
| V <sub>CC</sub> = 6.0 V | 17                                 | 6                                       | -     | 21  | -   | 26               | -   | ns                |     |      |
| t <sub>rec</sub>        | recovery time                      | PL to CPU, CPD; see Fig. 10             |       |     |     |                  |     |                   |     |      |
|                         |                                    | V <sub>CC</sub> = 2.0 V                 | 50    | 8   | -   | 65               | -   | 75                | -   | ns   |
|                         |                                    | V <sub>CC</sub> = 4.5 V                 | 10    | 3   | -   | 13               | -   | 15                | -   | ns   |
|                         |                                    | V <sub>CC</sub> = 6.0 V                 | 9     | 2   | -   | 11               | -   | 13                | -   | ns   |
|                         |                                    | MR to CPU, CPD; see Fig. 11             |       |     |     |                  |     |                   |     |      |
|                         |                                    | V <sub>CC</sub> = 2.0 V                 | 50    | 0   | -   | 65               | -   | 75                | -   | ns   |
|                         |                                    | V <sub>CC</sub> = 4.5 V                 | 10    | 0   | -   | 13               | -   | 15                | -   | ns   |
| V <sub>CC</sub> = 6.0 V | 9                                  | 0                                       | -     | 11  | -   | 13               | -   | ns                |     |      |
| t <sub>su</sub>         | set-up time                        | Dn to PL; see Fig. 12; CPU = CPD = HIGH |       |     |     |                  |     |                   |     |      |
|                         |                                    | V <sub>CC</sub> = 2.0 V                 | 80    | 22  | -   | 100              | -   | 120               | -   | ns   |
|                         |                                    | V <sub>CC</sub> = 4.5 V                 | 16    | 8   | -   | 20               | -   | 24                | -   | ns   |
|                         |                                    | V <sub>CC</sub> = 6.0 V                 | 14    | 6   | -   | 17               | -   | 20                | -   | ns   |
| t <sub>h</sub>          | hold time                          | Dn to PL; see Fig. 12                   |       |     |     |                  |     |                   |     |      |
|                         |                                    | V <sub>CC</sub> = 2.0 V                 | 0     | -14 | -   | 0                | -   | 0                 | -   | ns   |
|                         |                                    | V <sub>CC</sub> = 4.5 V                 | 0     | -5  | -   | 0                | -   | 0                 | -   | ns   |
|                         |                                    | V <sub>CC</sub> = 6.0 V                 | 0     | -4  | -   | 0                | -   | 0                 | -   | ns   |
|                         |                                    | CPU to CPD, CPD to CPU; see Fig. 14     |       |     |     |                  |     |                   |     |      |
|                         |                                    | V <sub>CC</sub> = 2.0 V                 | 80    | 22  | -   | 100              | -   | 120               | -   | ns   |
|                         |                                    | V <sub>CC</sub> = 4.5 V                 | 16    | 8   | -   | 20               | -   | 24                | -   | ns   |
| V <sub>CC</sub> = 6.0 V | 8                                  | 6                                       | -     | 17  | -   | 20               | -   | ns                |     |      |

Presetable synchronous 4-bit binary up/down counter

| Symbol           | Parameter                     | Conditions   | 25 °C |      |     | -40 °C to +85 °C |     | -40 °C to +125 °C |     | Unit |
|------------------|-------------------------------|--|-------|------|-----|------------------|-----|-------------------|-----|------|
|                  |                               |  | Min   | Typ  | Max | Min              | Max | Min               | Max |      |
| f <sub>max</sub> | maximum frequency             | CPU, CPD; see Fig. 8   |       |      |     |                  |     |                   |     |      |
|                  |                               | V <sub>CC</sub> = 2.0 V  | 4.0   | 13.5 | -   | 3.2              | -   | 2.6               | -   | MHz  |
|                  |                               | V <sub>CC</sub> = 4.5 V  | 20    | 41   | -   | 16               | -   | 13                | -   | MHz  |
|                  |                               | V <sub>CC</sub> = 6.0 V  | 24    | 49   | -   | 19               | -   | 15                | -   | MHz  |
| C <sub>PD</sub>  | power dissipation capacitance | V <sub>I</sub> = GND to V <sub>CC</sub> ; V <sub>CC</sub> = 5 V; [2]<br>f <sub>i</sub> = 1 MHz | -     | 24   | -   | -                | -   | -                 | -   | pF   |

- [1] t<sub>pd</sub> is the same as t<sub>PHL</sub> and t<sub>PLH</sub>.
- [2] C<sub>PD</sub> is used to determine the dynamic power dissipation (P<sub>D</sub> in μW):  
 $P_D = C_{PD} \times V_{CC}^2 \times f_i \times N + \Sigma(C_L \times V_{CC}^2 \times f_o)$  where:  
 f<sub>i</sub> = input frequency in MHz;  
 f<sub>o</sub> = output frequency in MHz;  
 C<sub>L</sub> = output load capacitance in pF;  
 V<sub>CC</sub> = supply voltage in V;  
 N = number of inputs switching;  
 Σ(C<sub>L</sub> × V<sub>CC</sub><sup>2</sup> × f<sub>o</sub>) = sum of outputs.

Table 9. Dynamic characteristics type 74HCT193

| Symbol                               | Parameter                          | Conditions                           | 25 °C |     |     | -40 °C to +85 °C |     | -40 °C to +125 °C |     | Unit |
|--------------------------------------|------------------------------------|--------------------------------------|-------|-----|-----|------------------|-----|-------------------|-----|------|
|                                      |                                    |                                      | Min   | Typ | Max | Min              | Max | Min               | Max |      |
| t <sub>pd</sub>                      | propagation delay                  | CPU, CPD to Qn; see Fig. 8 [1]       |       |     |     |                  |     |                   |     |      |
|                                      |                                    | V <sub>CC</sub> = 4.5 V              | -     | 23  | 43  | -                | 54  | -                 | 65  | ns   |
|                                      |                                    | CPU to TCU; see Fig. 9               |       |     |     |                  |     |                   |     |      |
|                                      |                                    | V <sub>CC</sub> = 4.5 V              | -     | 15  | 27  | -                | 34  | -                 | 41  | ns   |
|                                      |                                    | CPD to TCD; see Fig. 9               |       |     |     |                  |     |                   |     |      |
|                                      |                                    | V <sub>CC</sub> = 4.5 V              | -     | 15  | 27  | -                | 34  | -                 | 41  | ns   |
|                                      |                                    | PL to Qn; see Fig. 10                |       |     |     |                  |     |                   |     |      |
|                                      |                                    | V <sub>CC</sub> = 4.5 V              | -     | 26  | 46  | -                | 58  | -                 | 69  | ns   |
|                                      |                                    | MR to Qn; see Fig. 11                |       |     |     |                  |     |                   |     |      |
|                                      |                                    | V <sub>CC</sub> = 4.5 V              | -     | 22  | 40  | -                | 50  | -                 | 60  | ns   |
|                                      |                                    | Dn to Qn; see Fig. 10                |       |     |     |                  |     |                   |     |      |
|                                      |                                    | V <sub>CC</sub> = 4.5 V              | -     | 27  | 46  | -                | 58  | -                 | 69  | ns   |
|                                      |                                    | PL to TCU, PL to TCD;<br>see Fig. 13 |       |     |     |                  |     |                   |     |      |
| V <sub>CC</sub> = 4.5 V              | -                                  | 31                                   | 55    | -   | 69  | -                | 83  | ns                |     |      |
| MR to TCU, MR to TCD;<br>see Fig. 13 |                                    |                                      |       |     |     |                  |     |                   |     |      |
| V <sub>CC</sub> = 4.5 V              | -                                  | 29                                   | 55    | -   | 69  | -                | 83  | ns                |     |      |
| Dn to TCU, Dn to TCD;<br>see Fig. 13 |                                    |                                      |       |     |     |                  |     |                   |     |      |
| V <sub>CC</sub> = 4.5 V              | -                                  | 32                                   | 58    | -   | 73  | -                | 87  | ns                |     |      |
| t <sub>THL</sub>                     | HIGH to LOW output transition time | see Fig. 11                          |       |     |     |                  |     |                   |     |      |
|                                      |                                    | V <sub>CC</sub> = 4.5 V              | -     | 7   | 15  | -                | 19  | -                 | 22  | ns   |
| t <sub>TLH</sub>                     | LOW to HIGH output transition time | see Fig. 11                          |       |     |     |                  |     |                   |     |      |
|                                      |                                    | V <sub>CC</sub> = 4.5 V              | -     | 7   | 15  | -                | 19  | -                 | 22  | ns   |

## Presettable synchronous 4-bit binary up/down counter

| Symbol                  | Parameter                     | Conditions  | 25 °C |     |     | -40 °C to +85 °C |     | -40 °C to +125 °C |     | Unit |
|-------------------------|-------------------------------|---|-------|-----|-----|------------------|-----|-------------------|-----|------|
|                         |                               |   | Min   | Typ | Max | Min              | Max | Min               | Max |      |
| t <sub>w</sub>          | pulse width                   | CPU, CPD; HIGH or LOW;<br>see Fig. 8  |       |     |     |                  |     |                   |     |      |
|                         |                               | V <sub>CC</sub> = 4.5 V   | 25    | 11  | -   | 31               | -   | 38                | -   | ns   |
|                         |                               | MR HIGH; see Fig. 11  |       |     |     |                  |     |                   |     |      |
|                         |                               | V <sub>CC</sub> = 4.5 V   | 20    | 7   | -   | 25               | -   | 30                | -   | ns   |
|                         |                               | $\overline{\text{PL}}$ LOW; see Fig. 10   |       |     |     |                  |     |                   |     |      |
| V <sub>CC</sub> = 4.5 V | 20                            | 8   | -     | 25  | -   | 30               | -   | ns                |     |      |
| t <sub>rec</sub>        | recovery time                 | $\overline{\text{PL}}$ to CPU, CPD; see Fig. 10   |       |     |     |                  |     |                   |     |      |
|                         |                               | V <sub>CC</sub> = 4.5 V   | 10    | 2   | -   | 13               | -   | 15                | -   | ns   |
|                         |                               | MR to CPU, CPD;<br>see Fig. 11  |       |     |     |                  |     |                   |     |      |
|                         |                               | V <sub>CC</sub> = 4.5 V   | 10    | 0   | -   | 13               | -   | 15                | -   | ns   |
| t <sub>su</sub>         | set-up time                   | Dn to $\overline{\text{PL}}$ ; see Fig. 12;<br>CPU = CPD = HIGH                                       |       |     |     |                  |     |                   |     |      |
|                         |                               | V <sub>CC</sub> = 4.5 V   | 16    | 8   | -   | 20               | -   | 24                | -   | ns   |
| t <sub>h</sub>          | hold time                     | Dn to $\overline{\text{PL}}$ ; see Fig. 12  |       |     |     |                  |     |                   |     |      |
|                         |                               | V <sub>CC</sub> = 4.5 V   | 0     | -6  | -   | 0                | -   | 0                 | -   | ns   |
|                         |                               | CPU to CPD, CPD to CPU;<br>see Fig. 14  |       |     |     |                  |     |                   |     |      |
| V <sub>CC</sub> = 4.5 V | 16                            | 7   | -     | 20  | -   | 24               | -   | ns                |     |      |
| f <sub>max</sub>        | maximum frequency             | CPU, CPD; see Fig. 8  |       |     |     |                  |     |                   |     |      |
|                         |                               | V <sub>CC</sub> = 4.5 V   | 20    | 43  | -   | 16               | -   | 13                | -   | MHz  |
| C <sub>PD</sub>         | power dissipation capacitance | V <sub>i</sub> = GND to V <sub>CC</sub> - 1.5 V; [2]<br>V <sub>CC</sub> = 5 V; f <sub>i</sub> = 1 MHz | -     | 26  | -   | -                | -   | -                 | -   | pF   |

[1] t<sub>pd</sub> is the same as t<sub>PHL</sub> and t<sub>PLH</sub>.

[2] C<sub>PD</sub> is used to determine the dynamic power dissipation (P<sub>D</sub> in μW):

$$P_D = C_{PD} \times V_{CC}^2 \times f_i \times N + \sum(C_L \times V_{CC}^2 \times f_o) \text{ where:}$$

f<sub>i</sub> = input frequency in MHz;

f<sub>o</sub> = output frequency in MHz;

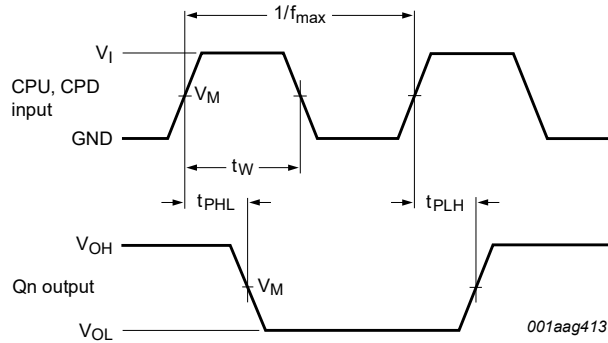
C<sub>L</sub> = output load capacitance in pF;

V<sub>CC</sub> = supply voltage in V;

N = number of inputs switching;

$\sum(C_L \times V_{CC}^2 \times f_o)$  = sum of outputs.

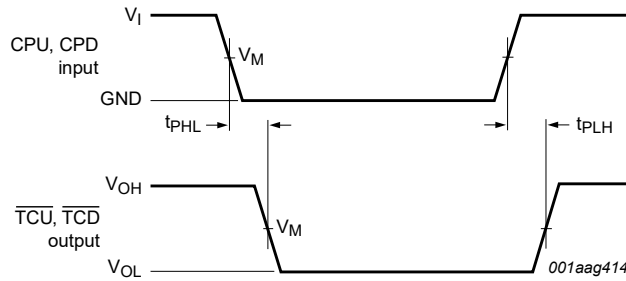
10.1. Waveforms and test circuit



Measurement points are given in [Table 10](#).

$V_{OL}$  and  $V_{OH}$  are typical voltage output levels that occur with the output load.

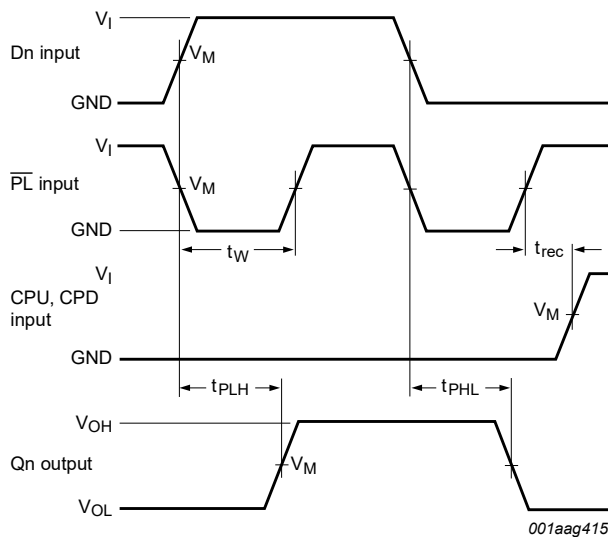
Fig. 8. The clock (CPU, CPD) to output (Qn) propagation delays, the clock pulse width, and the maximum clock pulse frequency



Measurement points are given in [Table 10](#).

$V_{OL}$  and  $V_{OH}$  are typical voltage output levels that occur with the output load.

Fig. 9. The clock (CPU, CPD) to terminal count output (TCU, TCD) propagation delays

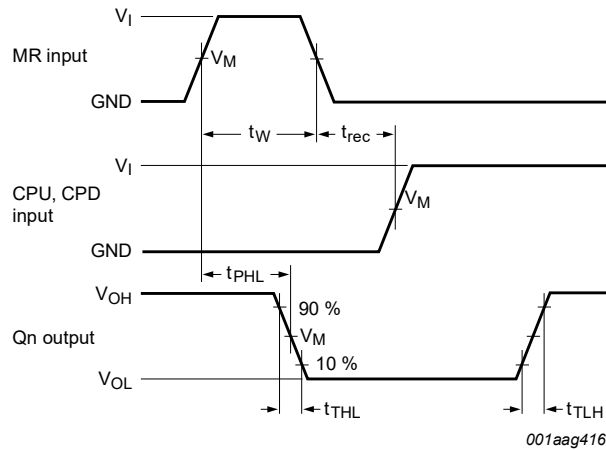


Measurement points are given in [Table 10](#).

$V_{OL}$  and  $V_{OH}$  are typical voltage output levels that occur with the output load.

Fig. 10. The parallel load input (PL) and data (Dn) to Qn output propagation delays and PL removal time to clock input (CPU, CPD)

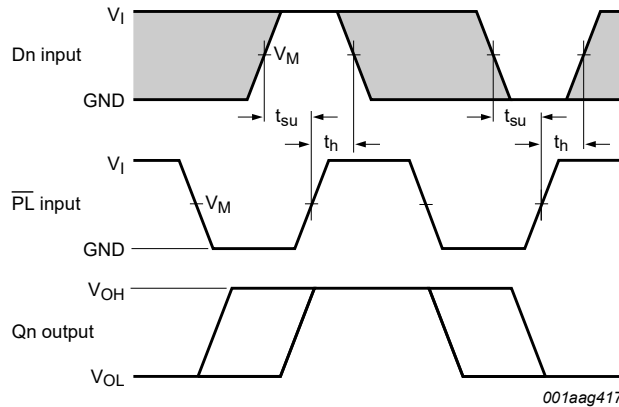




Measurement points are given in [Table 10](#).

$V_{OL}$  and  $V_{OH}$  are typical voltage output levels that occur with the output load.

**Fig. 11. The master reset input (MR) pulse width, MR to Qn propagation delays, MR to CPU, CPD removal time and output transition times**

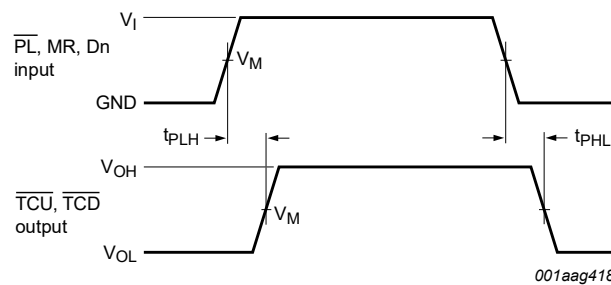


Measurement points are given in [Table 10](#).

$V_{OL}$  and  $V_{OH}$  are typical voltage output levels that occur with the output load.

The shaded areas indicate when the input is permitted to change for predictable output performance.

**Fig. 12. The data input (Dn) to parallel load input (PL) set-up and hold times**



Measurement points are given in [Table 10](#).

$V_{OL}$  and  $V_{OH}$  are typical voltage output levels that occur with the output load.

**Fig. 13. The data input (Dn), parallel load input (PL) and the master reset input (MR) to the terminal count outputs (TCU, TCD) propagation delays**

Presetable synchronous 4-bit binary up/down counter

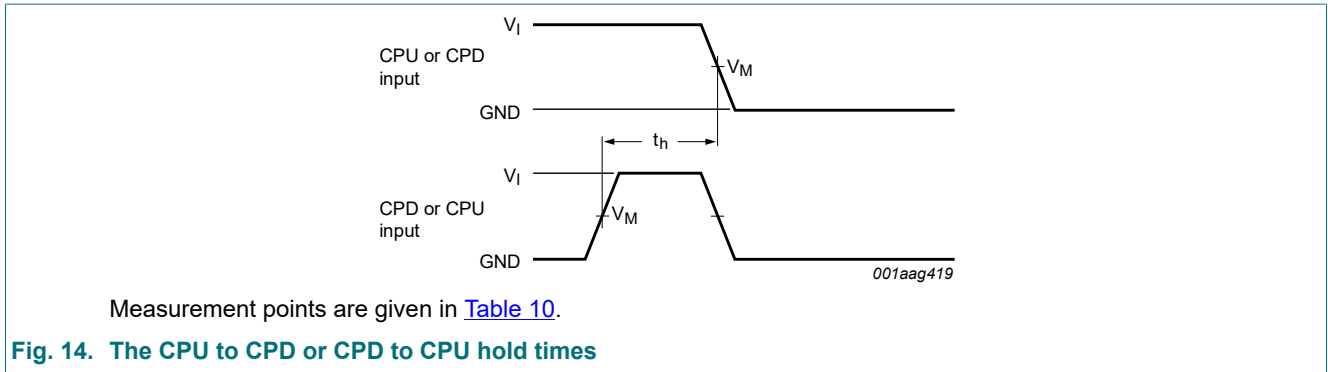


Table 10. Measurement points

| Type     | Input     |            | Output    |
|----------|-----------|------------|-----------|
|          | VM        | VI         | VM        |
| 74HC193  | 0.5 × VCC | GND to VCC | 0.5 × VCC |
| 74HCT193 | 1.3 V     | GND to 3 V | 1.3 V     |

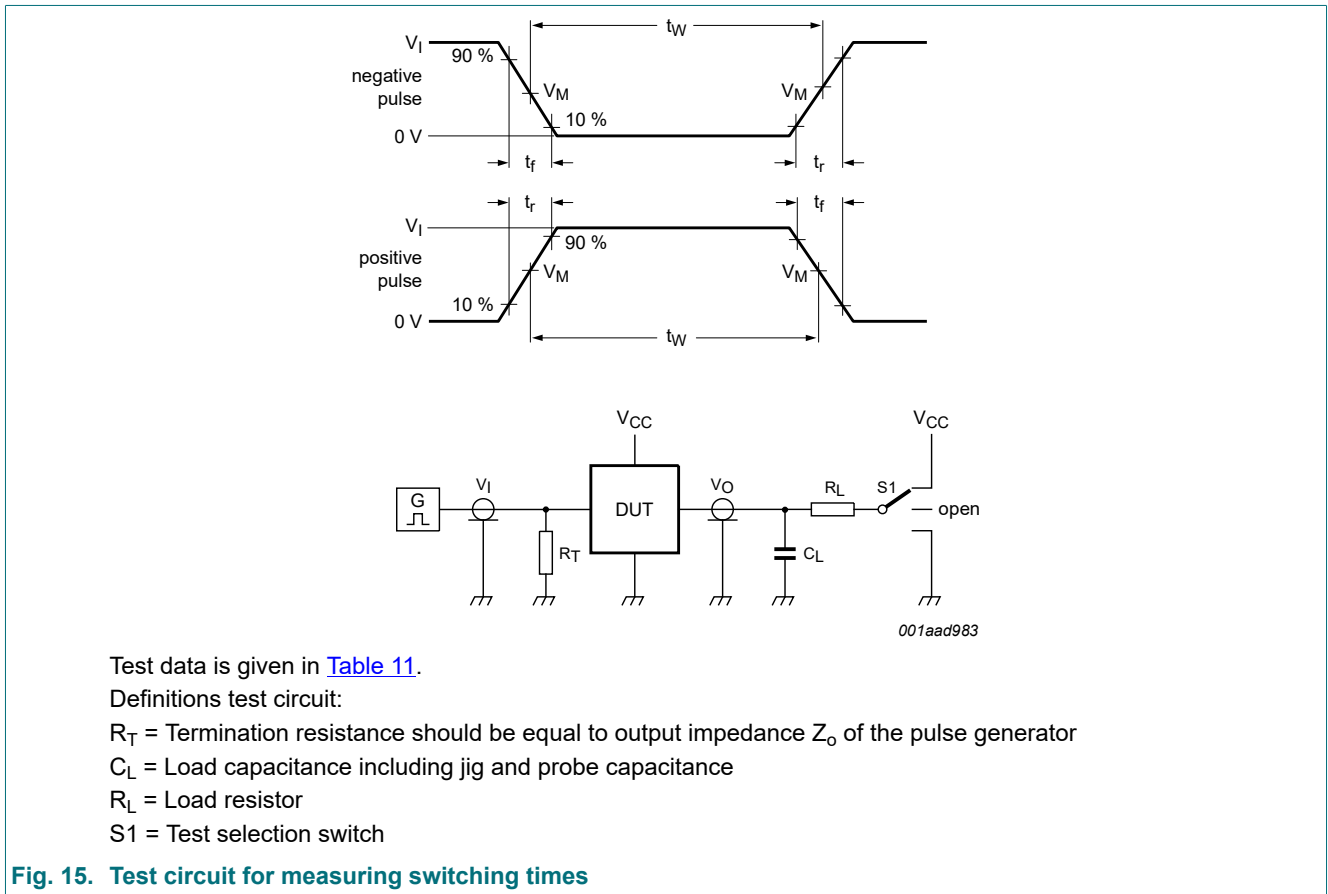


Table 11. Test data

| Type     | Input |        | Load         |      | S1 position |
|----------|-------|--------|--------------|------|-------------|
|          | VI    | tr, tf | CL           | RL   | tPHL, tPLH  |
| 74HC193  | VCC   | 6 ns   | 15 pF, 50 pF | 1 kΩ | open        |
| 74HCT193 | 3 V   | 6 ns   | 15 pF, 50 pF | 1 kΩ | open        |

### 11. Application information

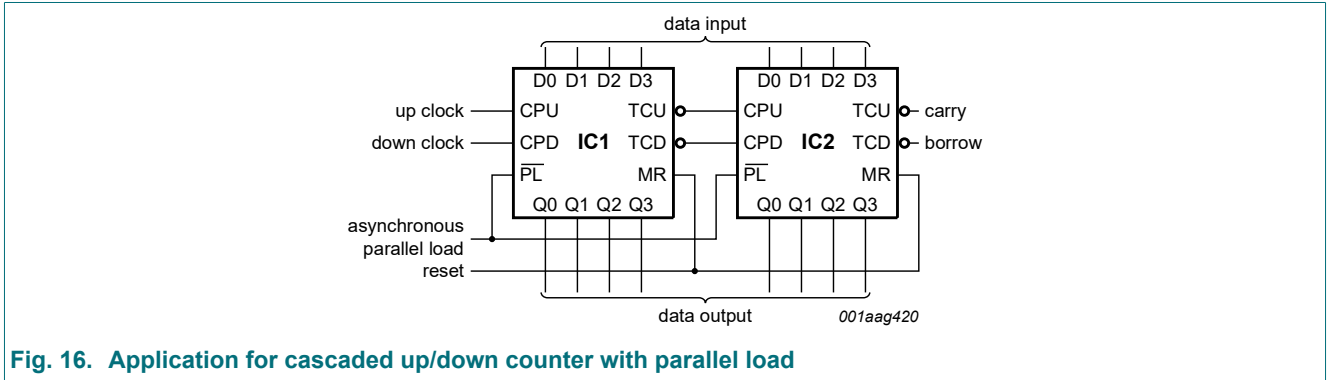


Fig. 16. Application for cascaded up/down counter with parallel load

12. Package outline

SO16: plastic small outline package; 16 leads; body width 3.9 mm

SOT109-1



Fig. 17. Package outline SOT109-1 (SO16)

TSSOP16: plastic thin shrink small outline package; 16 leads; body width 4.4 mm

SOT403-1



Fig. 18. Package outline SOT403-1 (TSSOP16)

## 13. Abbreviations

Table 12. Abbreviations

| Acronym | Description                             |
|---------|---|
| CMOS    | Complementary Metal-Oxide Semiconductor |
| DUT     | Device Under Test                       |
| ESD     | ElectroStatic Discharge                 |
| HBM     | Human Body Model                        |
| MM      | Machine Model                           |
| TTL     | Transistor-Transistor Logic             |

## 14. Revision history

Table 13. Revision history

| Document ID         | Release date  | Data sheet status     | Change notice | Supersedes          |
|---------------------|---|-----------------------|---------------|---------------------|
| 74HC_HCT193 v.7     | 20210908  | Product data sheet    | -             | 74HC_HCT193 v.6     |
| Modifications:      | <ul style="list-style-type: none"> <li>• <a href="#">Section 2</a> updated.</li> <li>• Type number 74HCT193DB (SOT338-1/SSOP16) removed.</li> </ul>   |                       |               |                     |
| 74HC_HCT193 v.6     | 20210205  | Product data sheet    | -             | 74HC_HCT193 v.5     |
| Modifications:      | <ul style="list-style-type: none"> <li>• Type number 74HC193DB (SOT338-1/SSOP16) removed.</li> <li>• <a href="#">Section 7</a>: Derating values for <math>P_{tot}</math> total power dissipation updated.</li> </ul>  |                       |               |                     |
| 74HC_HCT193 v.5     | 20160129  | Product data sheet    | -             | 74HC_HCT193 v.4     |
| Modifications:      | <ul style="list-style-type: none"> <li>• Type numbers 74HC193N and 74HCT193N (SOT38-4) removed.</li> </ul>  |                       |               |                     |
| 74HC_HCT193 v.4     | 20130624  | Product data sheet    | -             | 74HC_HCT193 v.3     |
| Modifications:      | <ul style="list-style-type: none"> <li>• General description updated.</li> </ul>  |                       |               |                     |
| 74HC_HCT193 v.3     | 20070523  | Product data sheet    | -             | 74HC_HCT193_CNV v.2 |
| Modifications:      | <ul style="list-style-type: none"> <li>• The format of this data sheet has been redesigned to comply with the new identity guidelines of NXP Semiconductors.</li> <li>• Legal texts have been adapted to the new company name where appropriate.</li> <li>• Family specification included.</li> </ul> |                       |               |                     |
| 74HC_HCT193_CNV v.2 | 19970828  | Product specification | -             | -                   |

## 15. Legal information

### Data sheet status

| Document status [1][2]         | Product status [3] | Definition  |
|--------------------------------|--------------------|---|
| Objective [short] data sheet   | Development        | This document contains data from the objective specification for product development. |
| Preliminary [short] data sheet | Qualification      | This document contains data from the preliminary specification.                       |
| Product [short] data sheet     | Production         | This document contains the product specification.                                     |

- [1] Please consult the most recently issued document before initiating or completing a design.
- [2] The term 'short data sheet' is explained in section "Definitions".
- [3] The product status of device(s) described in this document may have changed since this document was published and may differ in case of multiple devices. The latest product status information is available on the internet at <https://www.nexperia.com>.

### Definitions

**Draft** — The document is a draft version only. The content is still under internal review and subject to formal approval, which may result in modifications or additions. Nexperia does not give any representations or warranties as to the accuracy or completeness of information included herein and shall have no liability for the consequences of use of such information.

**Short data sheet** — A short data sheet is an extract from a full data sheet with the same product type number(s) and title. A short data sheet is intended for quick reference only and should not be relied upon to contain detailed and full information. For detailed and full information see the relevant full data sheet, which is available on request via the local Nexperia sales office. In case of any inconsistency or conflict with the short data sheet, the full data sheet shall prevail.

**Product specification** — The information and data provided in a Product data sheet shall define the specification of the product as agreed between Nexperia and its customer, unless Nexperia and customer have explicitly agreed otherwise in writing. In no event however, shall an agreement be valid in which the Nexperia product is deemed to offer functions and qualities beyond those described in the Product data sheet.

### Disclaimers

**Limited warranty and liability** — Information in this document is believed to be accurate and reliable. However, Nexperia does not give any representations or warranties, expressed or implied, as to the accuracy or completeness of such information and shall have no liability for the consequences of use of such information. Nexperia takes no responsibility for the content in this document if provided by an information source outside of Nexperia.

In no event shall Nexperia be liable for any indirect, incidental, punitive, special or consequential damages (including - without limitation - lost profits, lost savings, business interruption, costs related to the removal or replacement of any products or rework charges) whether or not such damages are based on tort (including negligence), warranty, breach of contract or any other legal theory.

Notwithstanding any damages that customer might incur for any reason whatsoever, Nexperia's aggregate and cumulative liability towards customer for the products described herein shall be limited in accordance with the Terms and conditions of commercial sale of Nexperia.

**Right to make changes** — Nexperia reserves the right to make changes to information published in this document, including without limitation specifications and product descriptions, at any time and without notice. This document supersedes and replaces all information supplied prior to the publication hereof.

**Suitability for use** — Nexperia products are not designed, authorized or warranted to be suitable for use in life support, life-critical or safety-critical systems or equipment, nor in applications where failure or malfunction of an Nexperia product can reasonably be expected to result in personal

injury, death or severe property or environmental damage. Nexperia and its suppliers accept no liability for inclusion and/or use of Nexperia products in such equipment or applications and therefore such inclusion and/or use is at the customer's own risk.

**Quick reference data** — The Quick reference data is an extract of the product data given in the Limiting values and Characteristics sections of this document, and as such is not complete, exhaustive or legally binding.

**Applications** — Applications that are described herein for any of these products are for illustrative purposes only. Nexperia makes no representation or warranty that such applications will be suitable for the specified use without further testing or modification.

Customers are responsible for the design and operation of their applications and products using Nexperia products, and Nexperia accepts no liability for any assistance with applications or customer product design. It is customer's sole responsibility to determine whether the Nexperia product is suitable and fit for the customer's applications and products planned, as well as for the planned application and use of customer's third party customer(s). Customers should provide appropriate design and operating safeguards to minimize the risks associated with their applications and products.

Nexperia does not accept any liability related to any default, damage, costs or problem which is based on any weakness or default in the customer's applications or products, or the application or use by customer's third party customer(s). Customer is responsible for doing all necessary testing for the customer's applications and products using Nexperia products in order to avoid a default of the applications and the products or of the application or use by customer's third party customer(s). Nexperia does not accept any liability in this respect.

**Limiting values** — Stress above one or more limiting values (as defined in the Absolute Maximum Ratings System of IEC 60134) will cause permanent damage to the device. Limiting values are stress ratings only and (proper) operation of the device at these or any other conditions above those given in the Recommended operating conditions section (if present) or the Characteristics sections of this document is not warranted. Constant or repeated exposure to limiting values will permanently and irreversibly affect the quality and reliability of the device.

**Terms and conditions of commercial sale** — Nexperia products are sold subject to the general terms and conditions of commercial sale, as published at <http://www.nexperia.com/profile/terms>, unless otherwise agreed in a valid written individual agreement. In case an individual agreement is concluded only the terms and conditions of the respective agreement shall apply. Nexperia hereby expressly objects to applying the customer's general terms and conditions with regard to the purchase of Nexperia products by customer.

**No offer to sell or license** — Nothing in this document may be interpreted or construed as an offer to sell products that is open for acceptance or the grant, conveyance or implication of any license under any copyrights, patents or other industrial or intellectual property rights.

**Export control** — This document as well as the item(s) described herein may be subject to export control regulations. Export might require a prior authorization from competent authorities.

**Non-automotive qualified products** — Unless this data sheet expressly states that this specific Nexperia product is automotive qualified, the product is not suitable for automotive use. It is neither qualified nor tested in accordance with automotive testing or application requirements. Nexperia accepts no liability for inclusion and/or use of non-automotive qualified products in automotive equipment or applications.

In the event that customer uses the product for design-in and use in automotive applications to automotive specifications and standards, customer (a) shall use the product without Nexperia's warranty of the product for such automotive applications, use and specifications, and (b) whenever customer uses the product for automotive applications beyond Nexperia's specifications such use shall be solely at customer's own risk, and (c) customer fully indemnifies Nexperia for any liability, damages or failed product claims resulting from customer design and use of the product for automotive applications beyond Nexperia's standard warranty and Nexperia's product specifications.

**Translations** — A non-English (translated) version of a document is for reference only. The English version shall prevail in case of any discrepancy between the translated and English versions.

### Trademarks

Notice: All referenced brands, product names, service names and trademarks are the property of their respective owners.

## Contents

|  |           |
|--|-----------|
| <b>1. General description</b> .....              | <b>1</b>  |
| <b>2. Features and benefits</b> .....            | <b>1</b>  |
| <b>3. Ordering information</b> .....             | <b>2</b>  |
| <b>4. Functional diagram</b> .....               | <b>2</b>  |
| <b>5. Pinning information</b> .....              | <b>4</b>  |
| 5.1. Pinning.....                                | 4         |
| 5.2. Pin description.....                        | 4         |
| <b>6. Functional description</b> .....           | <b>5</b>  |
| <b>7. Limiting values</b> .....                  | <b>7</b>  |
| <b>8. Recommended operating conditions</b> ..... | <b>7</b>  |
| <b>9. Static characteristics</b> .....           | <b>8</b>  |
| <b>10. Dynamic characteristics</b> .....         | <b>12</b> |
| 10.1. Waveforms and test circuit.....            | 16        |
| <b>11. Application information</b> .....         | <b>19</b> |
| <b>12. Package outline</b> .....                 | <b>20</b> |
| <b>13. Abbreviations</b> .....                   | <b>22</b> |
| <b>14. Revision history</b> .....                | <b>22</b> |
| <b>15. Legal information</b> .....               | <b>23</b> |

© Nexperia B.V. 2021. All rights reserved

For more information, please visit: <http://www.nexperia.com>

For sales office addresses, please send an email to: [salesaddresses@nexperia.com](mailto:salesaddresses@nexperia.com)

Date of release: 8 September 2021