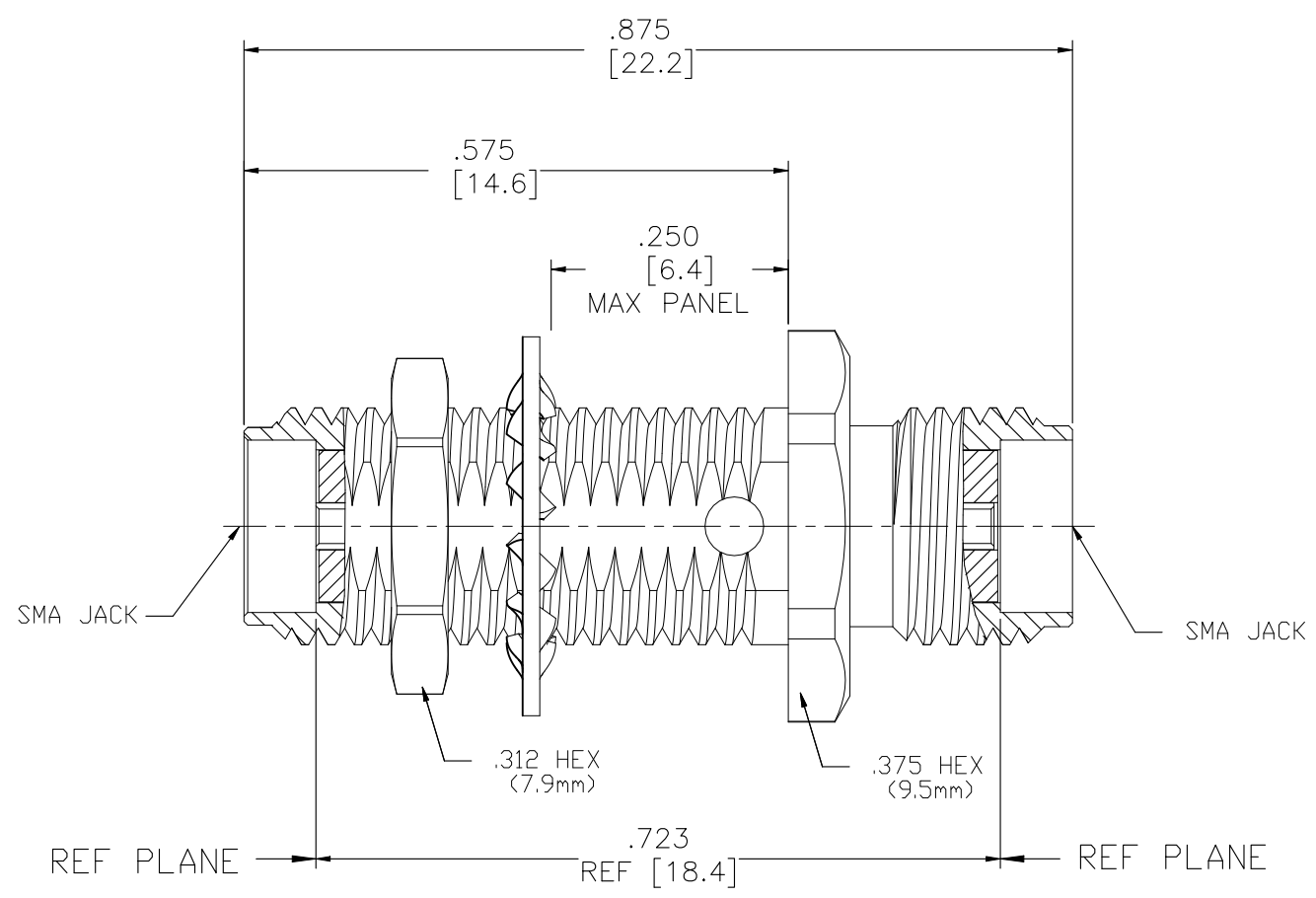
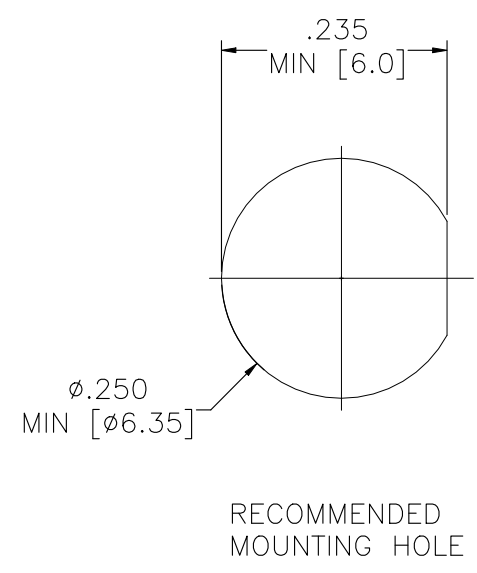


© - TE Connectivity. All Rights Reserved.

REVISIONS					
P	LTR	DESCRIPTION	DATE	DWN	APVD
	B2	REVISED PER ECR-21-103794	03JUN2021	RS	WK



NOTE:
 ▲ PACKAGING: BULK
 ▲ PACKAGING: KIT



ELECTRICAL	MECHANICAL	ENVIRONMENTAL
Nominal Impedance (Ω hms) <u>50</u>	Interface Dimensions MIL-STD-348A, Fig. 310.2 BOTH ENDS	TEMPERATURE RATING <u>-65°C TO +125°C</u>
Frequency Range (GHz) DC to <u>18</u>	Recommended Mating Torque <u>N/A</u>	Vibration MIL-STD-202, Method 204, Condition D.
Volt Rating (VRMS MAX) @ Sea Level <u>335</u>	Mating Characteristics:	Shock MIL-STD-202, Method 213, Condition I.
VSWR <u>1.05 +.005*f(GHz)</u>	Insertion (MAX Lbs) <u>3.0</u>	Thermal Shock MIL-STD-202, Method 107, Condition C, except HIGH TEMP SHALL BE +115°C.
Insertion Loss (dB MAX) <u>.03 \sqrt{f}(GHz)</u>	Withdrawal (MIN Ω z) <u>1.0</u>	Moisture Resistance MIL-STD-202, Method 106
RF Leakage (dB MIN) <u>60 @ 2 to 3 GHz</u>	Force to Engage and Disengage (In-Lbs MAX) <u>2.0</u>	Corrosion - MIL-STD-202, Method 101, Condition B, 5% salt spray
Corona, 70,000 Ft (VRMS MIN) <u>250</u>	Center Contact Captivation Axial (Lbs) <u>6.0</u>	
Dielectric Withstanding Voltage (VRMS MIN) @ Sea Level <u>1,500</u>	Radial (In- Ω z) <u>4.0</u>	
Contact Resistance (Milliohms MAX) Center Contact <u>4.0</u>	Cable Retention Axial Force (Lbs) <u>N/A</u>	
Outer Contact <u>2.0</u>	Torque (In- Ω z) <u>N/A</u>	
Cable to Housing <u>N/A</u>	Weight (Grams) <u>3.8</u>	
RF High Potential @ Sea Level (VRMS MIN @ 5 MHz) <u>670</u>		
I.R.(Megohms MIN) <u>5,000</u>		

.XXX = in
 XX.X = mm

THIS DRAWING IS A CONTROLLED DOCUMENT.

DIMENSIONS: INCHES	TOLERANCES UNLESS OTHERWISE SPECIFIED:
	0 PLC ± -
	1 PLC ± -
	2 PLC ± -
	3 PLC ± .005
	4 PLC ± -
	ANGLES ± 1°
MATERIAL	FINISH
-	-

QUANTITY PER ASSY	PARTS LIST
1 1	PASSIVATE STAINLESS STEEL LOCKWASHER 5
1 1	PASSIVATE STAINLESS STEEL MOUNTING NUT 4
1 1	PASSIVATE STAINLESS STEEL HOUSING 3
1 1	- PTFE INSULATION 2
1 1	Au BeCu CENTER CONTACT 1
-3 -1	PLATING MATERIAL DESCRIPTION ITEM

STE TE Connectivity

SMA BULKHEAD FEEDTHROUGH JACK TO JACK ADAPTER

APVD: E. F. HOYLE 1/25/89
 CHK: L.ROSS 2/10/89
 PRODUCT SPEC
 APPLICATION SPEC

SIZE: A3 CAGE CODE: 00779 DRAWING NO: C-1054869 RESTRICTED TO: -

CUSTOMER DRAWING SCALE: 5:1 SHEET: 1 OF 1 REV: B2